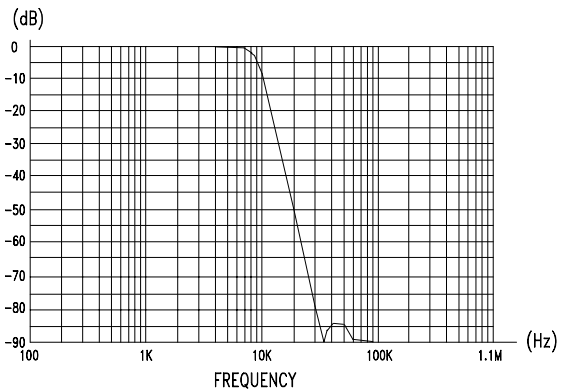
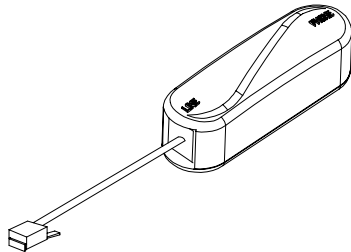




ADSL MICROFILTER

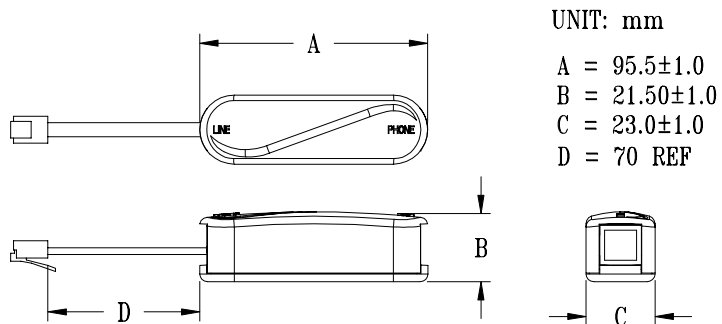
DT60-0031AP



- The ADSL low pass filter is used to block any noise generated by other phones, fax's being introduced on the POT line.
- The filter with two or three orders is used to separate and reduce the voice band harmonics.

FEATURE

- Meeting UL-1950, UL94V-1, FCC PART 68
- Operation Temperature -10°C to $+55^{\circ}\text{C}$
- Operation Humidity 10% to 90% RH
- The POT splitter and low-pass filter will not affect the normal use of telephone service even the power supply or itself fails.
- Electrical characteristics meets Annex E.2 of ITU-T Rec.G.992.1
- Attenuation Distortion meet Annex E.2.3.1.3 of ITU-T Rec.G.992.1
- Return Loss meet Annex E.2.3.1.1 of ITU-T Rec.G.992.1



UNIT: mm

- A = 95.5 ± 1.0
- B = 21.50 ± 1.0
- C = 23.0 ± 1.0
- D = 70 REF

ELECTRICAL CHARACTERISTICS		
3dB CUTOFF FREQUENCY		7KHz
D.C CHARACTERISTICS	D.C.C. D.C.R. I.R.	100 mA 25Ω Max. >5M Ω @TIP TO GND & RING TO GND
INSERTION LOSS	SHORT LOOP LONG LOOP	1.0dB Max. @1004Hz 0.75dB Max. @1004Hz
ATTENUATION DISTORTION	SHORT LOOP SHORT LOOP LONG LOOP LONG LOOP	$\pm 1.5\text{dB}$ @0.2KHz ~ 3.4KHz $\pm 2.0\text{dB}$ @3.4KHz ~ 4.0KHz $+0.5/ -1.5\text{dB}$ @0.2KHz ~ 3.4KHz $+1.0/ -1.5\text{dB}$ @3.4KHz ~ 4.0KHz
DELAY DISTORTION	SHORT LOOP SHORT LOOP LONG LOOP LONG LOOP	200uS @0.6KHz ~ 3.2KHz 250uS @0.2KHz ~ 4.0KHz 200uS @0.6KHz ~ 3.2KHz 250uS @0.2KHz ~ 4.0KHz
RETURN LOSS	ERL SRL-L SRL-H	6dB Min. 5dB Min. 3dB Min.
LONGITUDINAL BALANCE		58dB Min. @0.2KHz ~ 1KHz 53dB Min. @3KHz
ATTENUATION		65dB Min. @30KHz ~ 300KHz 55dB Min. @300KHz ~ 1104KHz
IMPEDANCE		600 Ω @300Hz ~ 3.4KHz