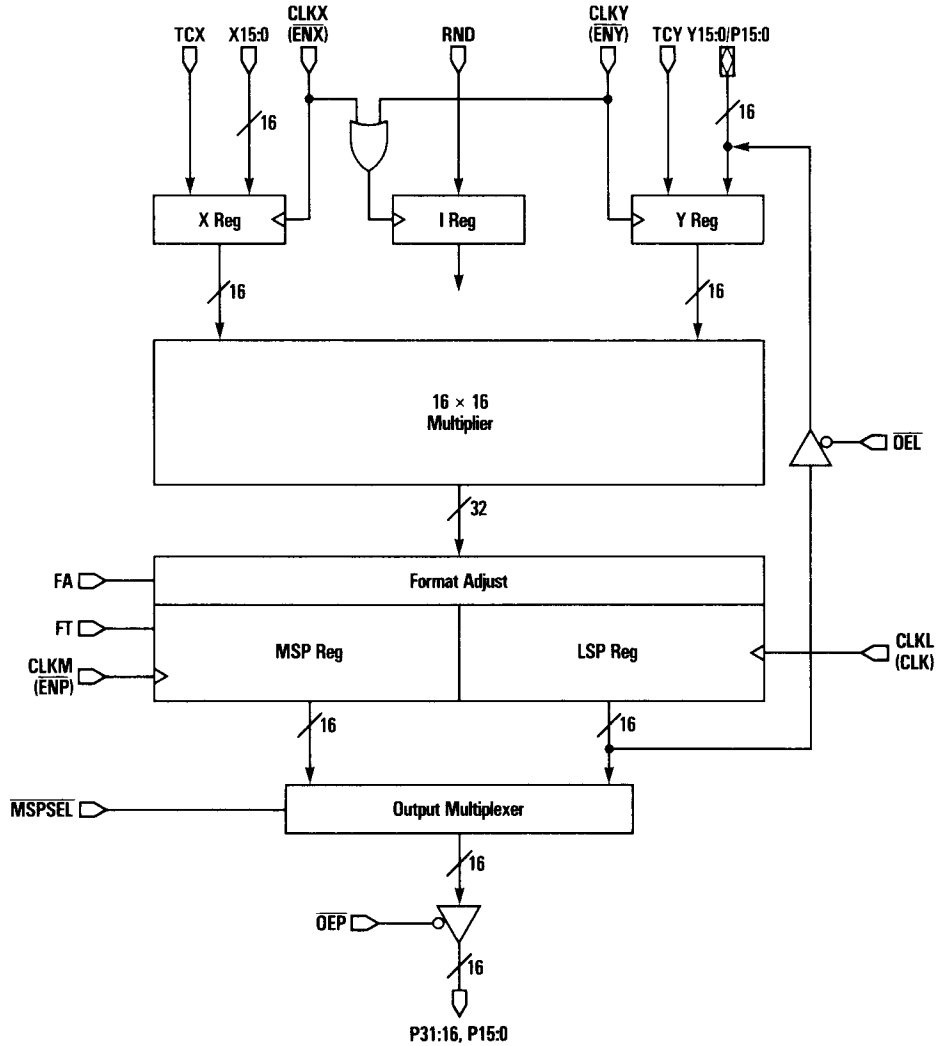
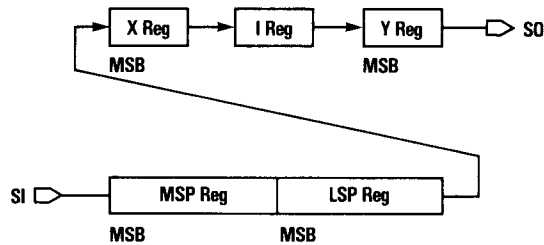


Logic Block Diagram
Normal Operation
(TEST = HIGH for
68-Pin Package)



Note: Pin designations for L64017 are shown in parentheses.

Logic Diagram—Scan Chain
(TEST = LOW, FT = LOW)
68-Pin Packages Only



Notes:

1. I register is the RND input.
2. Register clocks act as scan clocks.
3. For L64016, apply CLKY at or before CLKX. Apply CLKX at or before CLKL and CLKL at or before CLKM.
4. For L64017 enable all registers. CLK acts as single clock for all scan registers.
5. Scan data in the MSP and LSP registers can only be observed on the outputs if FT = LOW.

X and Y Data Input Formats

Unsigned Integer (TCX or TCY = 0)	15	14	13	•••	2	1	0
	2^{15}	2^{14}	2^{13}	•••	2^2	2^1	2^0
Two's Complement Integer (TCX or TCY = 1) (Sign)	15	14	13	•••	2	1	0
	-2^{15}	2^{14}	2^{13}	•••	2^2	2^1	2^0
Unsigned Fractional (TCX or TCY = 0)	15	14	13	•••	2	1	0
	2^{-1}	2^{-2}	2^{-3}	•••	2^{-14}	2^{-15}	2^{-16}
Two's Complement Fractional (TCX or TCY = 1) (Sign)	15	14	13	•••	2	1	0
	-2^0	2^{-1}	2^{-2}	•••	2^{-13}	2^{-14}	2^{-15}

Two's complement and unsigned numbers can be multiplied together in mixed mode operations.

Numerical Output Formats

Unsigned Integer Output (FA = 1)

MSP	31	30	29	28	27	26	25	24	23	22	21	20	19	18	17	16
	2^{31}	2^{30}	2^{29}	2^{28}	2^{27}	2^{26}	2^{25}	2^{24}	2^{23}	2^{22}	2^{21}	2^{20}	2^{19}	2^{18}	2^{17}	2^{16}
LSP	15	14	13	12	11	10	9	8	7	6	5	4	3	2	1	0
	2^{15}	2^{14}	2^{13}	2^{12}	2^{11}	2^{10}	2^9	2^8	2^7	2^6	2^5	2^4	2^3	2^2	2^1	2^0

Two's Complement Integer Output (FA = 1)

MSP	31	30	29	28	27	26	25	24	23	22	21	20	19	18	17	16
	-2^{31}	2^{30}	2^{29}	2^{28}	2^{27}	2^{26}	2^{25}	2^{24}	2^{23}	2^{22}	2^{21}	2^{20}	2^{19}	2^{18}	2^{17}	2^{16}
LSP	15	14	13	12	11	10	9	8	7	6	5	4	3	2	1	0
	2^{15}	2^{14}	2^{13}	2^{12}	2^{11}	2^{10}	2^9	2^8	2^7	2^6	2^5	2^4	2^3	2^2	2^1	2^0

Unsigned Fractional Output (FA = 1)

MSP	31	30	29	28	27	26	25	24	23	22	21	20	19	18	17	16
	2^{-1}	2^{-2}	2^{-3}	2^{-4}	2^{-5}	2^{-6}	2^{-7}	2^{-8}	2^{-9}	2^{-10}	2^{-11}	2^{-12}	2^{-13}	2^{-14}	2^{-15}	2^{-16}
LSP	15	14	13	12	11	10	9	8	7	6	5	4	3	2	1	0
	2^{-17}	2^{-18}	2^{-19}	2^{-20}	2^{-21}	2^{-22}	2^{-23}	2^{-24}	2^{-25}	2^{-26}	2^{-27}	2^{-28}	2^{-29}	2^{-30}	2^{-31}	2^{-32}

Two's Complement Fractional Output (FA = 1)

MSP	31	30	29	28	27	26	25	24	23	22	21	20	19	18	17	16
	-2^1	2^0	2^{-1}	2^{-2}	2^{-3}	2^{-4}	2^{-5}	2^{-6}	2^{-7}	2^{-8}	2^{-9}	2^{-10}	2^{-11}	2^{-12}	2^{-13}	2^{-14}
LSP	15	14	13	12	11	10	9	8	7	6	5	4	3	2	1	0
	2^{-15}	2^{-16}	2^{-17}	2^{-18}	2^{-19}	2^{-20}	2^{-21}	2^{-22}	2^{-23}	2^{-24}	2^{-25}	2^{-26}	2^{-27}	2^{-28}	2^{-29}	2^{-30}

**Fractional Two's Complement (FA = 0)
(Shifted*)**

MSP	31	30	29	28	27	26	25	24	23	22	21	20	19	18	17	16
	-2^0	2^{-1}	2^{-2}	2^{-3}	2^{-4}	2^{-5}	2^{-6}	2^{-7}	2^{-8}	2^{-9}	2^{-10}	2^{-11}	2^{-12}	2^{-13}	2^{-14}	2^{-15}
LSP	15	14	13	12	11	10	9	8	7	6	5	4	3	2	1	0
	-2^0	2^{-16}	2^{-17}	2^{-18}	2^{-19}	2^{-20}	2^{-21}	2^{-22}	2^{-23}	2^{-24}	2^{-25}	2^{-26}	2^{-27}	2^{-28}	2^{-29}	2^{-30}

*In shifted fractional two's complement format an overflow results when 1.000 ••• is multiplied by 1.000 ••• (-1 times -1). The product of this operation is 1.000 ••• (-1).

**Pin Listing
and Description**

L64016/L64017

X15:0

16-bit data input. Data are loaded into the X register on the rising edge of CLKX for the L64016 or on the rising edge of CLK when \overline{ENX} is LOW for the L64017.

X15:0/P15:0

16-bit data input/output. When \overline{OEL} is HIGH, this port acts as the Y data input. Data are loaded on this input on the rising edge of CLKY for the L64016 or on the rising edge of CLK when \overline{ENY} is LOW for the L64017.

When \overline{OEL} is LOW this port acts as a data output for the LSP (P15:0).

P31:16/P15:0

16-bit multiplexed data output. When \overline{MSPSEL} is LOW, the \overline{MSP} (P31:16) is available on this output. When \overline{MSPSEL} is HIGH, the LSP (P15:0) is available on this output. In both cases \overline{OEP} must be HIGH.

FT

Feedthrough. Both the MSP and LSP registers become transparent when FT is HIGH.

FA

Format Adjust. When FA is HIGH, a proper 32-bit product is output. When FA is LOW, a left shifted product is output with the sign bit replicated in the MSB of the LSP. FA must be HIGH for two's complement integer, unsigned magnitude and mixed mode multiplication.

MSPSEL

MSP Select Multiplexer Control. When \overline{MSPSEL} is LOW, the \overline{MSP} (P31:16) is available at the P31:16/P15:0 output port and the \overline{LSP} is available at the Y15:0/P15:0 port. When \overline{MSPSEL} is HIGH, the \overline{MSP} is unavailable while the \overline{LSP} is available at both the P31:16/P15:0 and the Y15:0/P15:0 ports.

RND

When RND is HIGH a "1" is added to the MSB of the LSP. This position is located at P15 when FA = HIGH and P14 when FA = LOW.

TCX

Two's Complement X. X input data are interpreted as two's complement when TCX is HIGH and as unsigned magnitude when TCX is LOW.

TCY

Two's Complement Y. Y input data are interpreted as two's complement when TCY is HIGH and as unsigned magnitude when TCY is LOW.

OEP

P31:16/P15:0 Output Enable. The P31:15/P15:0 output port is enabled when \overline{OEP} is LOW, otherwise the output is placed in high impedance.

OEL

Y15:0/P15:0 Output Enable. When \overline{OEL} is LOW, Y15:0/P15:0 is enabled for P15:0 output data. When \overline{OEL} is HIGH Y15:0/P15:0 function as the input port for Y15:0 data.

L64016 Only

CLKX

X register clock. X15:0 and TCX are loaded at the rising edge of CLKX.

CLKY

Y register clock. Y15:0 and TCY are loaded at the rising edge of CLKY.

CLKM

MSP register clock. MSP (Most Significant Product) data are loaded into the MSP register at the rising edge of CLKM.

CLKL

LSP register clock. LSP (Least Significant Product) data are loaded into the LSP register at the rising edge of CLKL.

L64017 Only

CLK

Clock. All enabled register data are loaded at the rising edge of CLK.

ENX

X-Register Enable. When \overline{ENX} is LOW, X15:0 and TCX will be loaded at the rising edge of CLK. When \overline{ENX} is HIGH, the X registers are disabled.

ENY

Y-Register Enable. When \overline{ENY} is LOW Y15:0 and TCY will be loaded at the rising edge of CLK. When \overline{ENY} is HIGH, the Y registers are disabled.

ENP

Product Register Enable. When \overline{ENP} is LOW both the \overline{MSP} and \overline{LSP} can be loaded at the rising edge of CLK. When \overline{ENP} is HIGH, the product register is disabled.

**Pin Listing
and Description**
(Continued)

68-Pin Package Only
(both L64016 and L64017)

TEST

TEST mode enable. When $\overline{\text{TEST}}$ is LOW, the MSP, LSP, RND, X, I, and Y registers all operate as a single large serial shift register for the shifting of test data into the device. Scan registers are clocked via the normal input clocks for each set of registers.

SI, SO

Scan Input and Scan Output for the scan chain during test mode.

AC Switching Characteristics: Commercial Temperature Range (TA = 0°C to 70°C, VDD = 4.75 V to 5.25 V) TEST = HIGH for 68-pin packages

Symbol	Parameter	L64016A/17A		L64016/17		Units
		Min	Max	Min	Max	
tMUC	Unlocked Multiply Time		45		60	ns
tMC	Clocked Multiply Time		30		40	ns
tS	X, Y, RND, TCX, TCY Set-Up Time	7		10		ns
tH	X, Y, RND, TCX, TCY Hold Time	3		3		ns
tSE	\overline{ENX} , \overline{ENY} , \overline{ENP} Set-Up Time (L64017 Only)	7		10		ns
tHE	\overline{ENX} , \overline{ENY} , \overline{ENP} Hold Time (L64017 Only)	3		3		ns
tPW	Clock Pulse Width	15		20		ns
tPSEL	\overline{MSPSEL} to Product Out		15		20	ns
tPDP	Output Clock to P		20		25	ns
tPDY	Output Clock to Y		20		25	ns
tOZ	Output Disable Time		15		20	ns
tOE	Output Enable Time		15		20	ns
tHCL	Clock Low Hold Time CLKXY Relative to CLKML ⁽¹⁾	0		0		ns

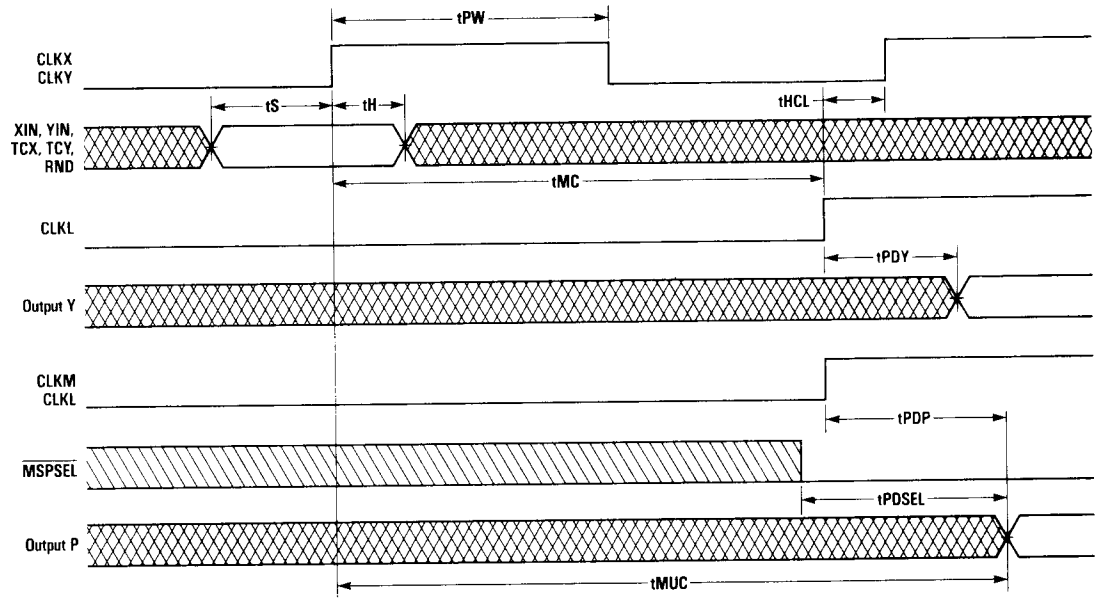
AC Switching Characteristics: Military Temperature Range (TC = -55°C to 125°C, VDD = 4.5 V to 5.5 V) TEST = HIGH for 68-pin packages

Symbol	Parameter	L64016A/17A		L64016/17		Units
		Min	Max	Min	Max	
tMUC	Unlocked Multiply Time		60		70	ns
tMC	Clocked Multiply Time		40		50	ns
tS	X, Y, RND, TCX, TCY Set-Up Time	10		15		ns
tH	X, Y, RND, TCX, TCY Hold Time	5		5		ns
tSE	\overline{ENX} , \overline{ENY} , \overline{ENP} Set-Up Time (L64017 Only)	10		15		ns
tHE	\overline{ENX} , \overline{ENY} , \overline{ENP} Hold Time (L64017 Only)	5		5		ns
tPW	Clock Pulse Width	20		25		ns
tPSEL	\overline{MSPSEL} to Product Out		20		25	ns
tPDP	Output Clock to P		25		30	ns
tPDY	Output Clock to Y		25		30	ns
tOZ	Output Disable Time		20		25	ns
tOE	Output Enable Time		20		25	ns
tHCL	Clock Low Hold Time CLKX, CLKY Relative to CLKM, CLKL ⁽¹⁾	0		0		ns

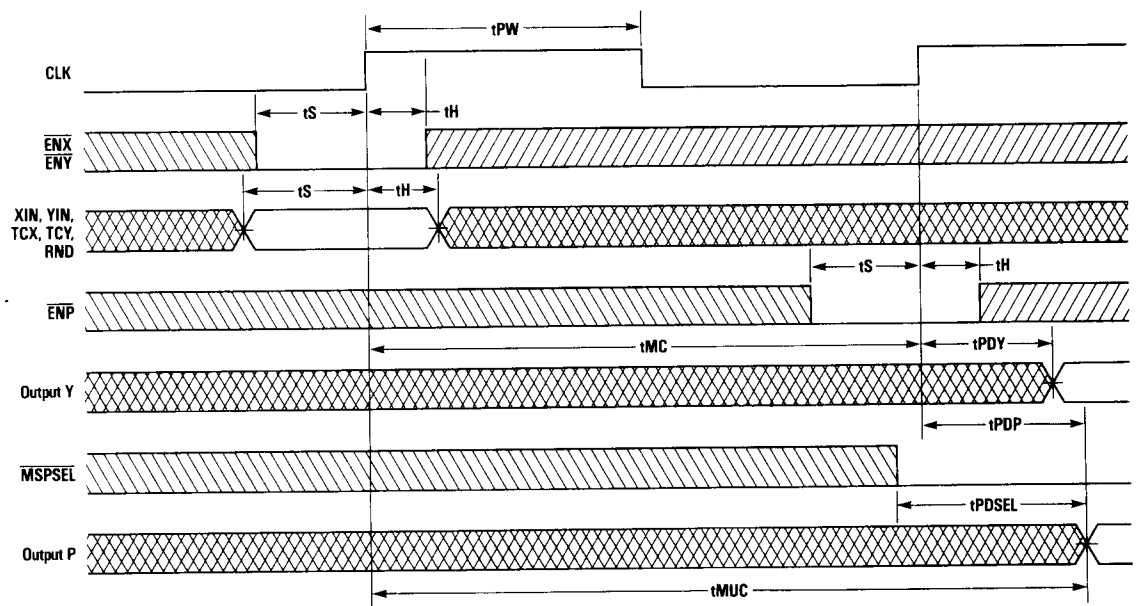
Note:

1. To ensure that the correct product is entered in the output registers, new data may not be entered into the input registers before the output registers have been clocked.

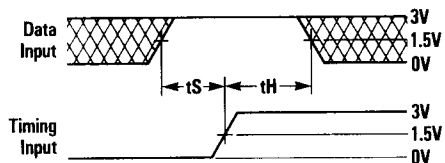
Timing Diagram
 L64016



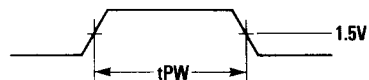
Timing Diagram
 L64017



Set-Up and Hold Time (All Devices)



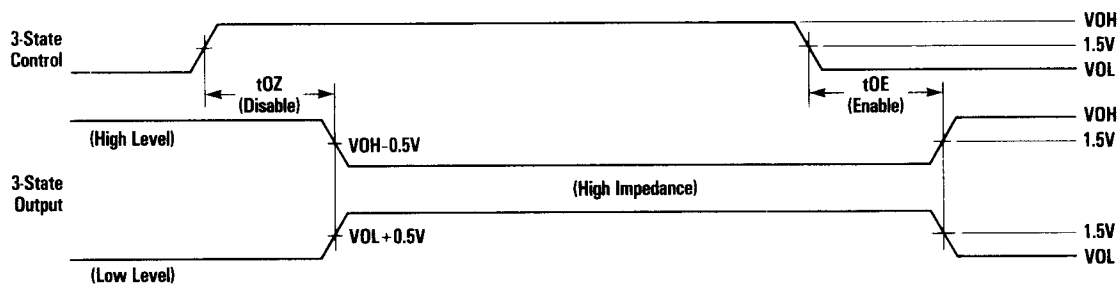
Pulse Width (All Devices)
LOW → HIGH → LOW



Notes:

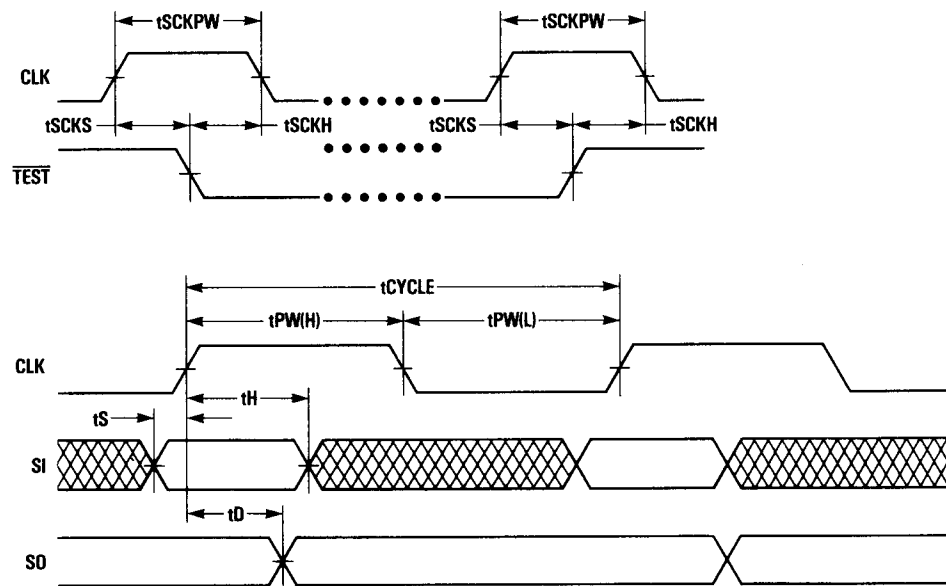
1. Diagram shown for HIGH data only. Output transition may be opposite sense.
2. Cross hatched area is don't care condition.

Three-State Timing Diagram



Scan Test
Timing Waveforms

68-Pin Packages Only ($\overline{\text{TEST}} = \text{LOW}$)



Notes:

1. During scan, all clocks must be tied together.
2. All clocks should be HIGH while entering and leaving TEST mode.
3. tCYCLE is 75 ns commercial, 100 ns mil.

Operating Characteristics

Absolute Maximum Ratings (Referenced to GND)

Parameter	Symbol	Limits	Unit
DC Supply Voltage	VDD	-0.3 to +7	V
Input Voltage	VIN	-0.3 to VDD +0.3	V
DC Input Current	IIN	±10	mA
Storage Temperature Range	TSTG	-65 to +150	°C

Recommended Operating Conditions

Parameter	Symbol	Limits	Unit
DC Supply Voltage	VDD	+3 to +6	V
Operating Ambient Temperature Range			
Military	TA	-55 to +125	°C
Industrial Range	TA	-40 to +85	°C
Commercial Range	TA	0 to +70	°C

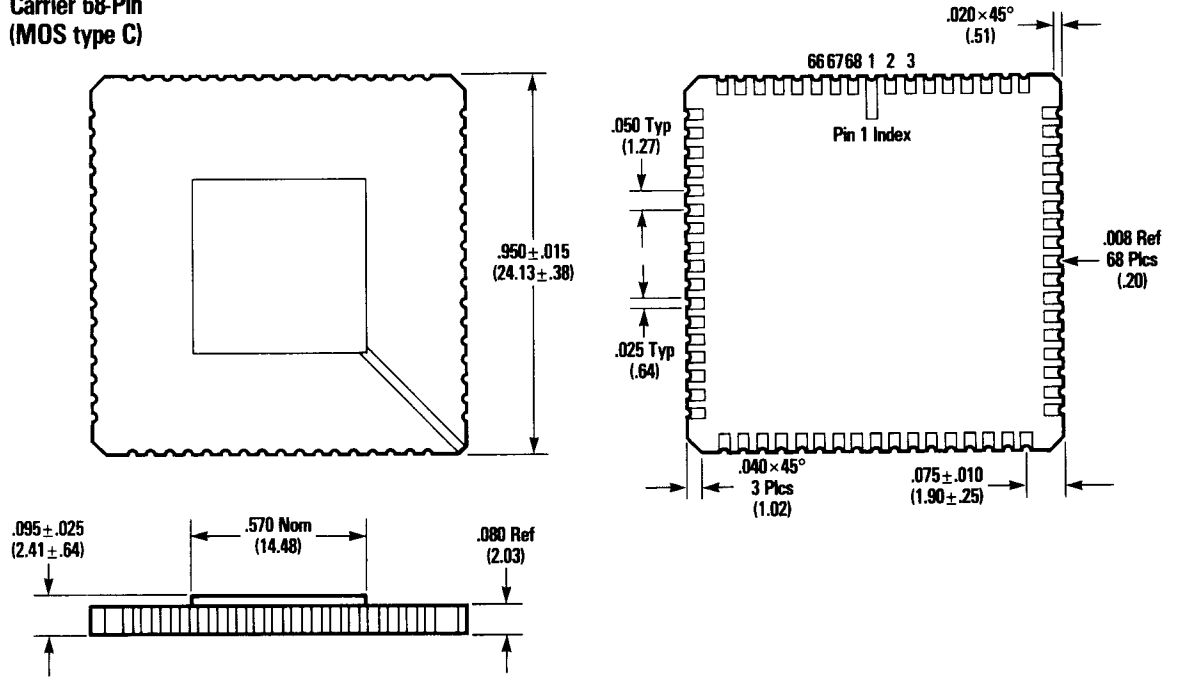
DC Characteristics: Specified at VDD = 5 V over the specified temperature and voltage ranges⁽¹⁾.

Symbol	Parameter	Condition	Min	Typ	Max	Units
VIL	Low Level Input Voltage				0.8	V
VIH	High Level Input Voltage	Commercial Temperature Range	2.0			V
		Military and Industrial Temperature Range	2.25			V
IIN	Input Current	VIN = VDD	-100	-30	-8	µA
VOH	High Level Output Voltage	Comm	2.4	4.5		V
		Mil				
VOL	Low Level Output Voltage	Comm		0.2	0.4	V
		Mil				
IOZ	3-State Output Leakage Current	VOH = VSS or VDD	-10	±1	10	µA
IOS	Output Short Circuit Current ⁽²⁾	VDD = Max, VO = VDD	15		130	mA
		VDD = Max, VO = 0V	-5		-100	mA
IDDQ	Quiescent Supply Current	VIN = VDD or VSS			10	mA
IDD	Operating Supply Current	tMC = tCYCLE = 50 ns		160		mA
CIN	Input Capacitance	Any Input		5		pF
COU	Output Capacitance	Any Output		10		pF

- Notes:
1. Military temperature range is -55°C to +125°C, ±10% power supply; industrial temperature range is -40°C to +85°C, ±5% power supply; commercial temperature range is 0°C to 70°C, ±5% power supply.
 2. Not more than one output should be shorted at a time. Duration of short circuit test must not exceed one second.
 3. All input pads have internal pull-up resistors.

Package Drawings

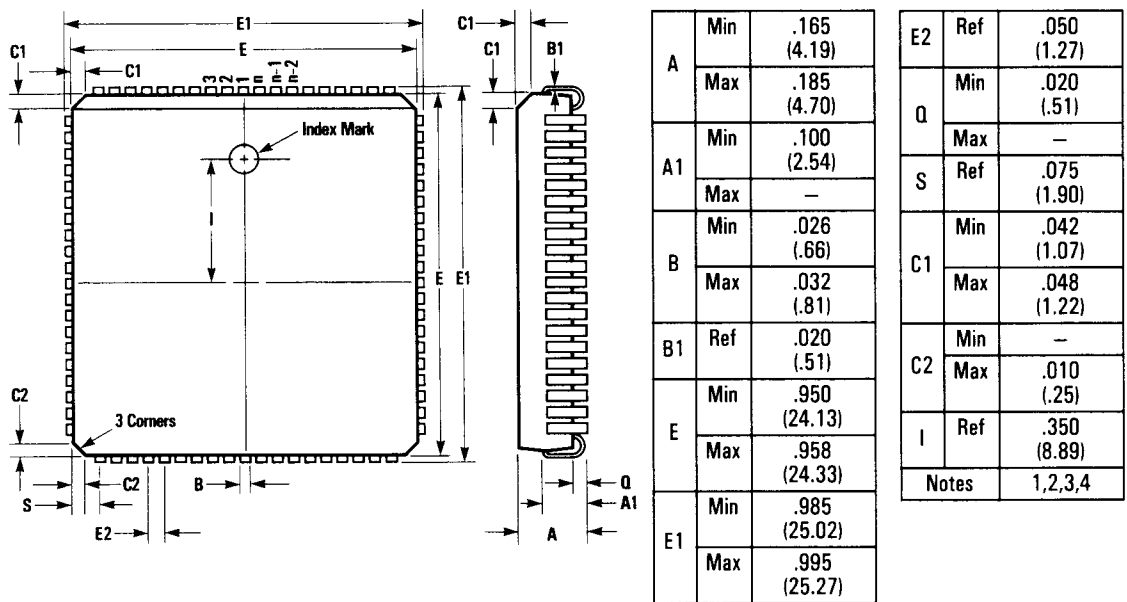
Ceramic Leadless Chip
Carrier 68-Pin
(MOS type C)



Notes:

1. All exposed metallized area shall be gold plated 60 micro-inches Min. thickness over 50 microinches Min-350 microinches Max Nickel over refractory metallization.
2. Cap is gold plated kovar or ceramic.
3. Base is Al₂O₃.
4. Package dimensions fit within JEDEC outline for 50 mil center line pkgs.

68-Pin Plastic Ledged Chip Carrier



Notes:

1. Pins are tin plated or hot solder dipped (increase B1 MAX by .003" (.08) copper or Alloy 42).
2. Pin foot print matches that of ceramic chip carrier JEDEC Type A.
3. Package can be surface mounted or socketed.
4. Package dimensions fit within the JEDEC outline.

Ordering Information

L64016 }
 L64017 }

A L M B

Screening Option
 Blank = Standard Processing
 C = Burn-In
 B = Full 883C

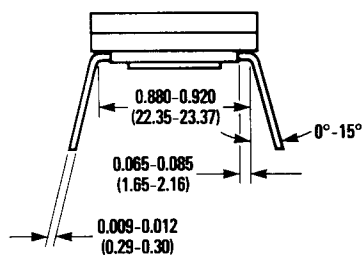
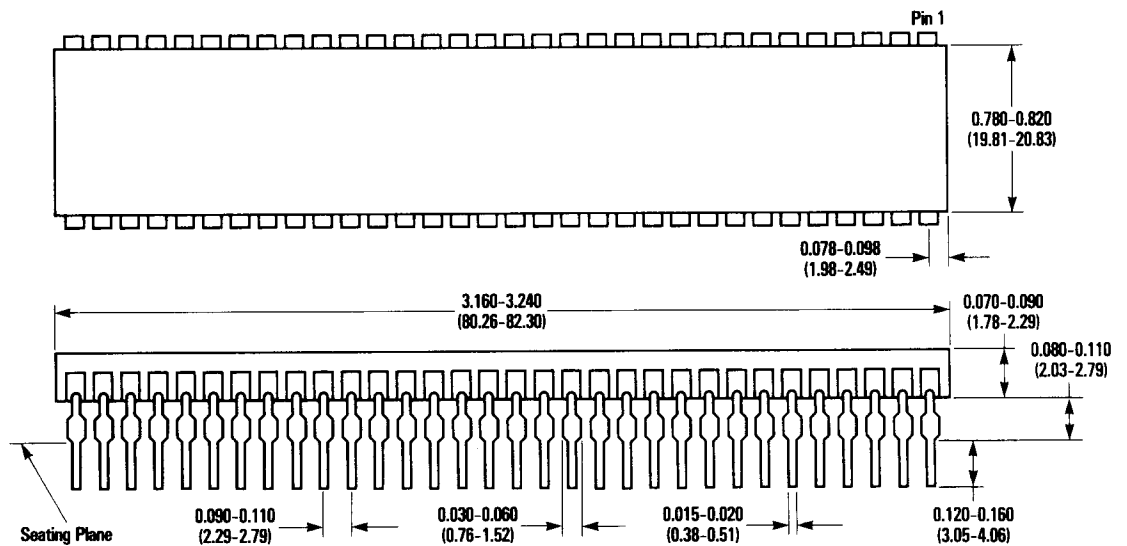
Temperature Range
 C = Commercial (0°C to 70°C)
 M = Military (-55°C to +125°C)

Package Code
 D = 64-Pin Ceramic DIP
 L = 68-Pin Ceramic Leadless Chip Carrier
 J = 68-Pin Plastic Leaded Chip Carrier
 G = 68-Pin Ceramic Pin Grid Array

Speed Range
 Blank = Standard Speed
 A = High Speed

Device Type

Package Drawings
 64 Lead (900 MIL) Cerdip



**L64016
L64017
16-Bit HCMOS
Multipliers
Preliminary**

LSI LOGIC

**LSI Logic
Sales Offices
and Design
Resource Centers**

**LSI Logic Corporation
Headquarters**

■ 1551 McCarthy Blvd
Milpitas CA 95035
Tel: 408.433.8000
Telex: 172153
FAX: 408.434.6422

Arizona

8283 N Hayden Rd
Suite 270
Scottsdale AZ 85261
Tel: 602.951.4560
FAX: 602.951.4599

California

5300 Stevens Creek Blvd
Suite 100
San Jose CA 95129
Tel: 408.248.5100
Telex: 171092
TWX: 510.600.0679
FAX: 408.247.8971

■ Two Park Plaza
Suite 1000
Irvine CA 92714
Tel: 714.553.5600
Telex: 683355
FAX: 714.474.8101

■ 15303 Ventura Blvd
Suite 1475
Sherman Oaks CA 91403
Tel: 818.906.0333
Telex: 325733
FAX: 818.906.7671

Colorado

3801 E Florida Ave
Suite 400
Denver CO 80210
Tel: 303.756.8800

Connecticut

450 Post Road East
Westport CT 06880
Tel: 203.222.9336
FAX: 203.454.2199

Florida

201 Park Place
Suite 300
Altamonte Springs FL 32701
Tel: 305.339.2242

■ 1900 Glades Rd
Suite 201
Boca Raton FL 33431
Tel: 305.395.6200
Telex: 514192
TWX: 510.953.7644
FAX: 305.394.2865

Illinois

■ One Pierce Place
Suite 400 East
Itasca IL 60143
Tel: 312.773.0111
FAX: 312.773.4631

Maryland

■ 6903 Rockledge Dr
Suite 230
Bethesda MD 20817
Tel: 301.897.5800
FAX: 301.897.8389

Massachusetts

■ 1601 Trapelo Rd
Waltham MA 02154
Tel: 617.890.0180 (Design Ctr)
Tel: 617.890.0161 (Sales Ofc)
Telex: 948063
FAX: 617.890.6158

Michigan

315 E Eisenhower Parkway
Suite 300
Ann Arbor MI 48104
Tel: 313.769.0175
Telex: 706456
FAX: 313.769.0018

Minnesota

■ 8300 Norman Center Drive
Suite 730
Minneapolis MN 55432
Tel: 612.921.8300
Telex: 291117
FAX: 612.921.8399

New Jersey

981 Route 22
Suite 2000
Bridgewater NJ 08807
Tel: 201.722.7522
FAX: 201.722.8408

New York

Beechwood Office Park
385 South Road
Poughkeepsie NY 12601
Tel: 914.454.6593

North Carolina

4601 Six Forks Road
Suite 500
Raleigh NC 27609
Tel: 919.783.8833
FAX: 919.783.8909

Oregon

8625 SW Cascade Ave
Suite 220
Beaverton OR 97005
Tel: 503.644.6697
FAX: 503.644.7476

Pennsylvania

Three Neshaminy Interplex
Suite 301
Trevose PA 19047
Tel: 215.638.3010
TWX: 510.667.1508

Texas

9430 Research Blvd
Suite 400
Austin TX 78759
Tel: 512.343.4513
FAX: 512.345.2924

■ 15301 Dallas Parkway
Suite 280
Dallas TX 75248
Tel: 214.788.2966
Telex: 791604
FAX: 214.233.9234

Washington

■ 3015 112th Avenue NE
Suite 205
Bellevue WA 98004
Tel: 206.822.4384
Telex: 328951
FAX: 206.827.2884

**LSI Logic Corporation
of Canada, Inc.**

Headquarters
■ Petro-Canada Centre
Suite 3410, 150-6th Avenue SW
Calgary, Alberta, T2P 3Y7
Tel: 403.262.9292
FAX: 403.262.9494

■ Scotia Place
10060 Jasper Ave
Suite 1650
Edmonton, Alberta, T5J 3R8
Tel: 403.424.8845
FAX: 403.424.9051

■ #220, 4259 Canada Way
Burnaby BC
V5B 1W1
Tel: 604.433.5705
FAX: 604.433.8443

■ 260 Hearst Way
Suite 400
Kanata, Ontario
K2L 3H1
Tel: 613.592.1263
Telex: 053.3849
FAX: 613.592.3253

300, 10 Four Seasons Place
Toronto, Ontario
M9B 6H7
Tel: 416.622.0403
FAX: 416.621.5401

#750, 6600 Trans Canada Hwy
Office #22
Pointe Claire, Quebec
H9R 4S2
Tel: 514.694.2417
FAX: 514.697.0186

France

LSI Logic S.A.
■ Tour Chenonceaux
204 Rond-point du Pont de Sevres
92516 Boulogne Billancourt
Tel: 33.1.46212525
Telex: 631475
FAX: 33.1.46203138

Israel

LSI Logic Limited
■ 40 Sokolov St
Ramat Hasharon 47235
Tel: 972.3.403741/6
Telex: 371662
FAX: 972.3.403747

Italy

LSI Logic SPA
Centro Direzionale Colleoni
Palazzo Orione, Ing. 1
20041 Agrate Brianza (MI)
Italy
Tel: 39.651575
Telex: 326423
FAX: 39.653564

Japan

LSI Logic K. K.
■ Kokusai-Shin Akasaka
6-1-20 Akasaka, Minato-Ku
Tokyo 107, Japan
Tel: 81.3.589.2721
FAX: 81.3.589.2740

■ 2-10-1 Kasuga
Yatabe-Machi
Tsukuba-Gun
Ibaragi-ken 305, Japan
Tel: 81.298.52.8371
FAX: 81.298.52.8376

■ Twin 21 MID Tower 31st Floor
2-1-61 Shiromi, Higashiku
Osaka 540, Japan
Tel: 81.6.947.5281
FAX: 81.6.947.5287

**LSI Logic Corporation
of Korea Limited**

■ Private Teachers'
Persian Fund Bldg
27-2, Yoido-Dong
Young Dug Po-Ku
Seoul, Korea
Tel: 82.2.785.1693
FAX: 82.2.784.0416

**United Kingdom
LSI Logic Limited**

■ Grenville Place
The Ring
Bracknell
Berkshire RG121BP
U.K.
Tel: 44.344.426544
Telex: 848679
FAX: 44.344.481.039

**West Germany
LSI Logic GmbH**

Headquarters
■ Arabella Strasse 33
8000 Munich 81
West Germany
Tel: 49.89.926903.0
Telex: 528218
FAX: 49.89.917096

LSI Logic GmbH

■ Niederkasseler Lohweg 8
4000 Dusseldorf 11
West Germany
Tel: 49.211.5961066
TWX: 8587248
FAX: 49.211.592130

LSI Logic GmbH

■ Buechenstrasse 15
7000 Stuttgart 1
West Germany
Tel: 49.711.2262151
TWX: 723813
FAX: 49.711.2261124

■ Sales Offices with
Design Resource Centers.

LSI Logic Corporation reserves the right to make changes to any products and services herein at any time without notice. LSI Logic does not assume any responsibility or liability arising out of the application or use of any product or service described herein, except as expressly agreed to in writing by LSI Logic; nor does the purchase, lease, or use of a product or service from LSI Logic convey a license under any patent rights, copyrights, trademark rights, or any other of the intellectual property rights of LSI Logic or of third parties. All rights reserved.