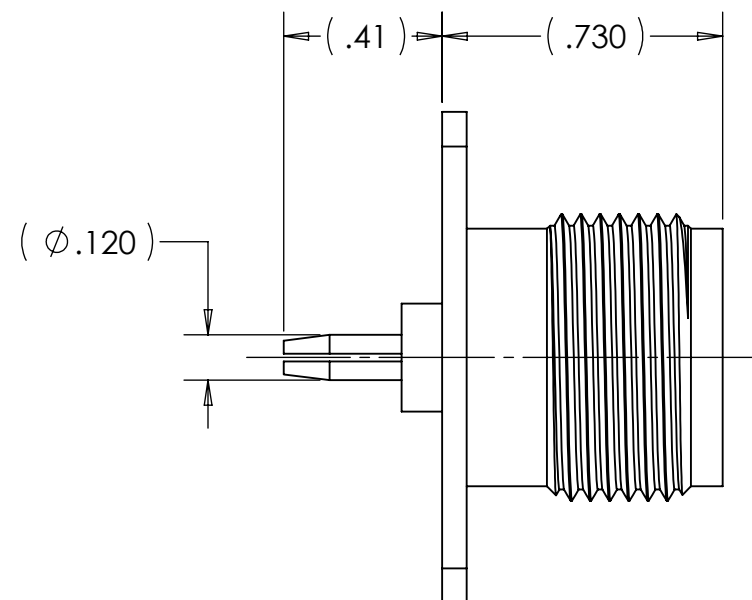
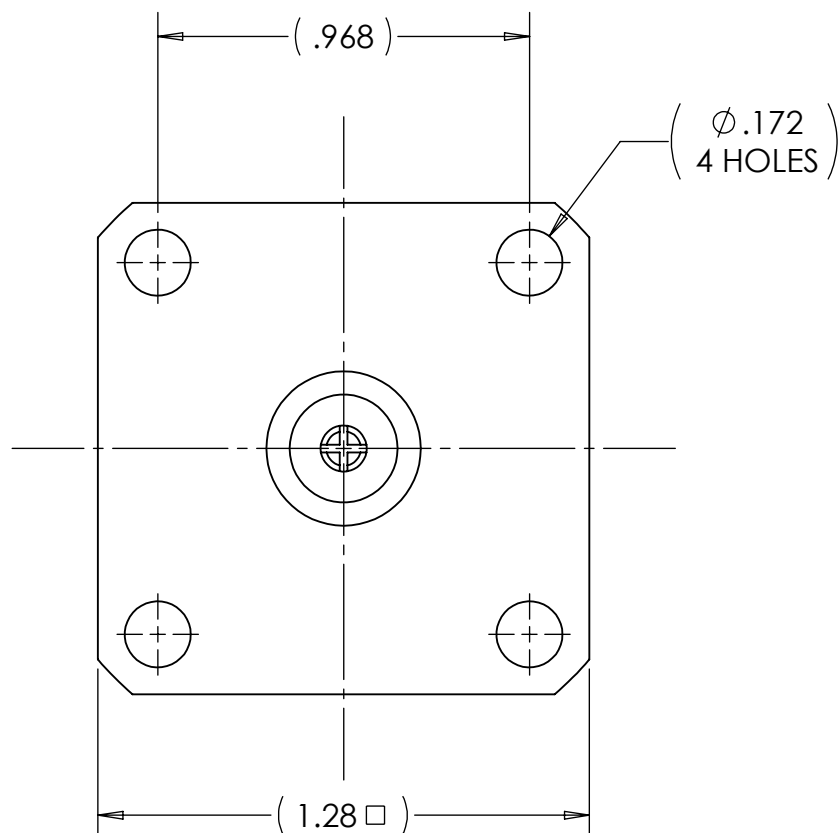


This document, including the design, configuration and mechanical features revealed herein are the sole, confidential and proprietary property of TRU Corporation. Reproduction or use thereof, in whole or part, is prohibited without the prior written consent of TRU Corporation.

REV.	DESCRIPTION	DATE	APPROVED
-	ORIGINAL ISSUE	09/16/10	AM
A	CHANGED PER ECO-3952	11/19/10	TRC



ENGINEERING DATA:


ELECTRICAL:
IMPEDANCE: 50 OHMS NOMINAL

MECHANICAL:
INTERFACE: PER MIL-STD-348 FIG. 317.2

MATERIAL:
CONTACT: BERYLLIUM COPPER
BODY: BRASS
INSULATOR: TEFLON

FINISH:
CONTACT: SILVER PLATED
BODY: NICKEL PLATED

NOTES:
1. UNLESS OTHERWISE SPECIFIED; ALL DIMENSIONS ARE REFERENCE ONLY.
2. AMAT P/N: 0720-10978

MATERIAL	DO NOT SCALE DRAWING	DRAWN MVC	DATE 09/10/10	 TRU CORPORATION 245 LYNNFIELD STREET, PEABODY, MA 01960 The Custom Interconnect Leader™
	UNLESS OTHERWISE SPECIFIED: DIMENSIONS ARE IN INCHES	ENG APPR. AM	DATE 09/14/10	
COMMENTS:	TOLERANCES: FRACTIONS: ±1/64 .XX : ±.01 .XXX: ±.005 ANGLES: ±1/2° MACHINED SURFACES: 63/√	MFG APPR.	DATE	TITLE: CONNECTOR ASSEMBLY HN(f) RECEPTACLE, PANEL
		OTHER APPR.	DATE	
surface area: sq inch	weight: lbs	THIRD ANGLE PROJECTION		SIZE B DWG. NO. TRU-11554 REV A
		CAGE CODE: 92180		SCALE: 2:1 SHEET 1 OF 1