

65 KBQ

Pluggable screw terminal blocks on socket boards, pitch 5.0 mm



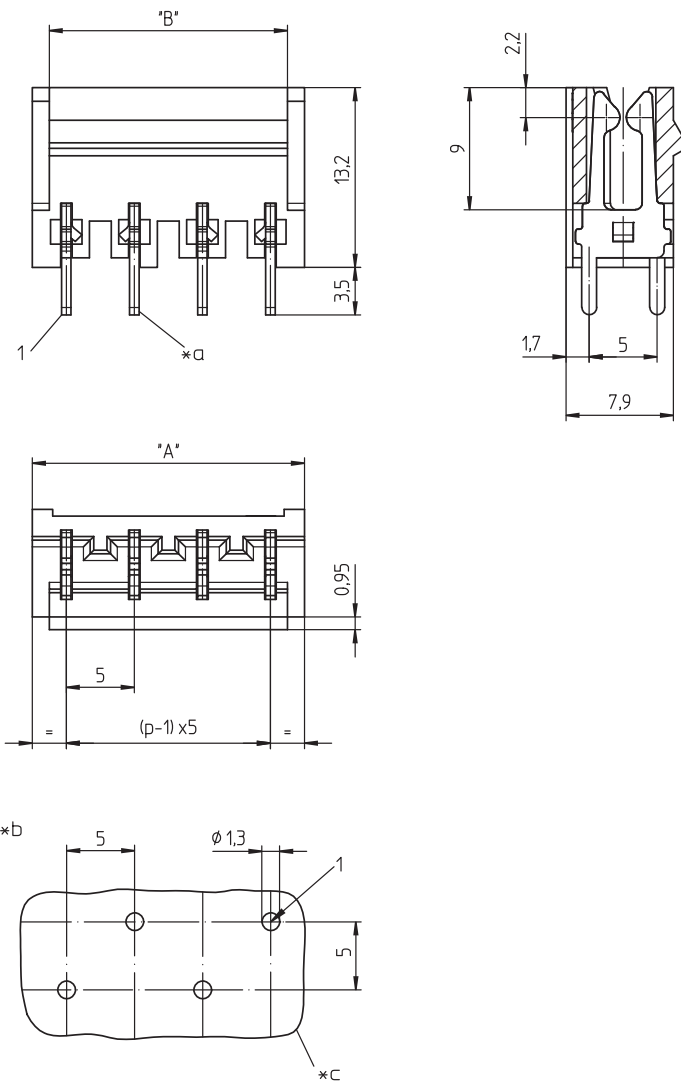
Socket board, upright, solder pins dual row staggered,  
consecutive placement without loss of pitch

---

Approvals:



65 KBQ



- \*a solder pin for printed circuit board bore hole  $\varnothing 1.3$  mm
- \*b printed circuit board layout, solder side view
- \*c printed circuit board

#### Environmental conditions

Temperature range  $-25\text{ °C}/+100\text{ °C}^1$

<sup>1</sup> upper limit temperature (insulating body) RTI (electrical) of the UL Yellow Card

#### Materials

Insulating body PA, V-2 according to UL94

Contact spring CuSn, pre-nickel and tin-plated

#### Mechanical data

Insertion force/contact  $\leq 2.5\text{ N}^1$

Withdrawal force/contact  $\geq 1.5\text{ N}^1$

<sup>1</sup> measured with a polished steel pin, nominal thickness 0.7 mm

#### Electrical data (at $T_{\text{amb}} 20\text{ °C}$ )

Contact resistance  $\leq 5\text{ m}\Omega$

Rated current 10 A ( $T_{\text{amb}} 65\text{ °C}$ )

Rated voltage 250 V AC<sup>1</sup>

Material group I (IEC)/0 (UL) (CTI  $\geq 600$ )<sup>1</sup>

Creepage distance 4.3 mm

Clearance 4.3 mm

Insulation resistance  $> 10\text{ G}\Omega$

<sup>1</sup> according to IEC 60664/DIN EN 60664, CTI UL classification according to ANSI/UL 746A

#### Associated products

Counterparts

 KS

 KSC

65 KBQ

Designation	Pole Number	PU (Pieces)	MDQ (Pieces)	Dimensions	
				A (mm)	B (mm)
KBQ 02	2	200	2000	10	7.5
KBQ 03	3	200	2000	15	12.5
KBQ 04	4	200	2000	20	17.5
KBQ 05	5	200	2000	25	22.5
KBQ 06	6	200	2000	30	27.5
KBQ 07	7	200	2000	35	32.5
KBQ 08	8	200	2000	40	37.5
KBQ 09	9	200	2000	45	42.5
KBQ 10	10	200	2000	50	47.5

**Packaging:**

in bulk, in a cardboard box