



# NATIONAL HYBRID, INC.

2200 Smithtown Avenue, Ronkonkoma, NY 11779

(516) 981-2400 516-981-8888

## Mil-Std-1553 Products NHI-1529 Series +5V Hybrid Dual Transceivers

### Features:

- Compliant to Mil-Std-1553A & B
- Single +5V +/- 10% Supply
- Very Low Standby Power
- Short Circuit Proof
- Superior Noise Performance

### Description:

The NHI-1529 series of Mil-Std-1553 hybrid dual transceivers are available in 1.900" x .780", 36 pin plug-in and flatpack packages. It operates off of a single +5V power supply with very low standby power dissipation.

Each receiver converts the 1553 bus bi-phase data to complementary RX and RX\_L TTL digital outputs for use by the manchester decoder. The device provides independent receiver enables for each channel.

The transmitters will output bi-phase manchester to the coupling transformer when the TX and TX\_L inputs are driven by complementary TTL digital data. The device provides an independent transmitter inhibit TXINH for each channel.

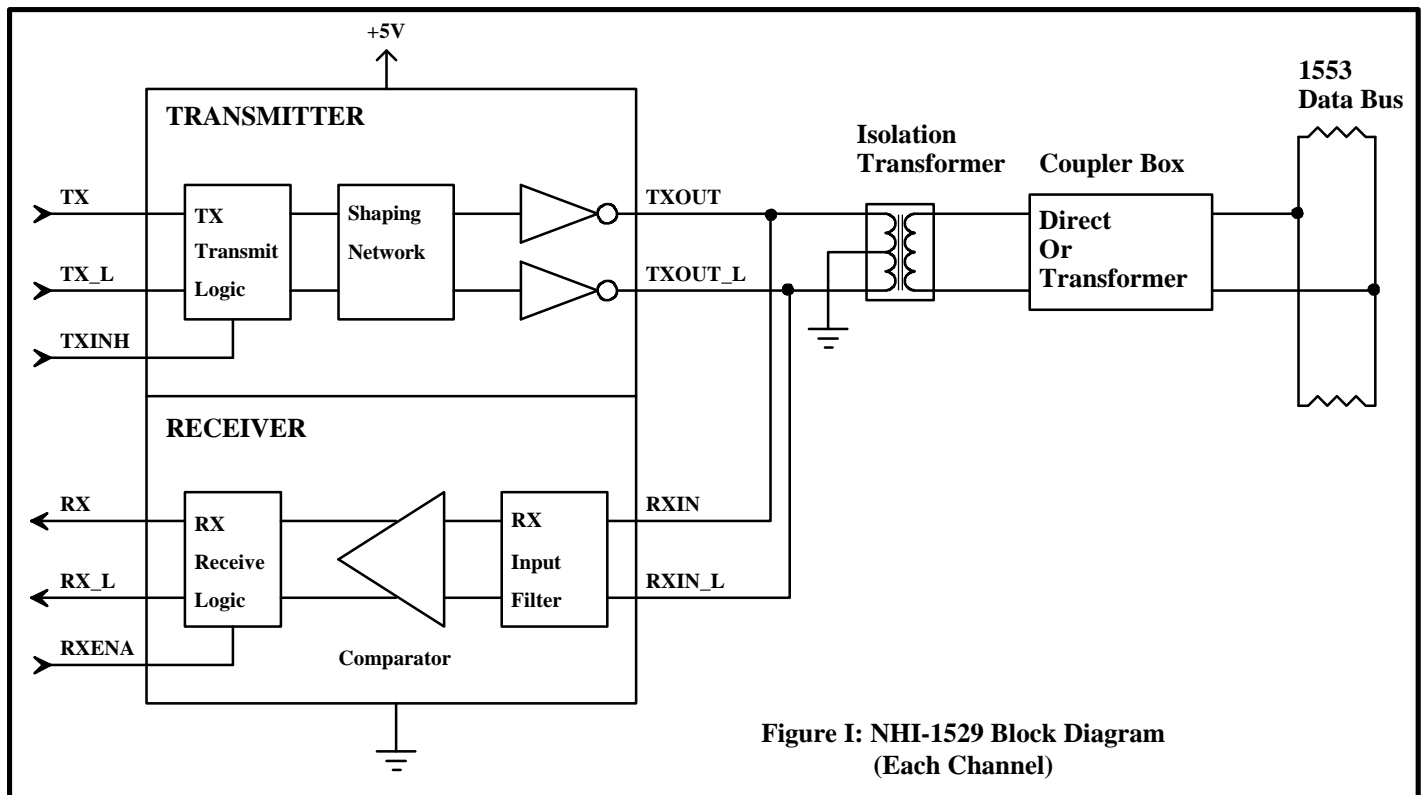


Figure I: NHI-1529 Block Diagram  
(Each Channel)

# NHI-1529 Series

**TABLE I: Electrical Specifications**

Parameter	Condition	Symbol	Min	Typ	Max	Units
<b>POWER SUPPLY REQUIREMENT</b>		V <sub>cc</sub>	4.7		5.5	V
<b>TOTAL SUPPLY CURRENT</b>	V <sub>cc</sub> =5.0V, Not Transmitting	I <sub>cc1</sub>		30	40	mA
	V <sub>cc</sub> =5.0V, Transmit one channel @ 50% duty cycle	I <sub>cc2</sub>		285	330	mA
	V <sub>cc</sub> =5.0V, Transmit one channel @ 100% duty cycle	I <sub>cc3</sub>		535	600	mA
<b>POWER DISSIPATION</b>	V <sub>cc</sub> =5.0V, Not Transmitting	P <sub>d1</sub>			0.5	W
	V <sub>cc</sub> =5.0V, Transmit one channel @ 100% duty cycle	P <sub>d2</sub>			0.95	W
<b>OPERATING TEMPERATURE</b>	Junction	T <sub>j</sub>	-55		175	°C
	Case	T <sub>c</sub>	-55		125	°C
	Storage	T <sub>s</sub>	-55		165	°C
<b>THERMAL IMPEDANCE</b>	Junction to Case (Hottest Die)	θ <sub>jc</sub>			38.6	°C/W
<b>LOGIC I/O</b>						
RXENA_A, TXA, TXA_L, TXINH_A, RXENA_B, TXB, TXB_L, TXINH_B	V <sub>cc</sub> = 5.5V, V <sub>il</sub> = 0.0V	I <sub>il</sub>			-0.8	mA
	V <sub>cc</sub> = 4.5V, V <sub>ih</sub> = 2.7V	I <sub>ih</sub>			40	uA
RXA, RXA_L, RXB, RXB_L	V <sub>cc</sub> = 5.5V, I <sub>ol</sub> = -4mA	V <sub>ol</sub>			0.4	V
	V <sub>cc</sub> = 4.5V, I <sub>oh</sub> = 400 uA	V <sub>oh</sub>	2.4			V
<b>RECEIVER</b>						
Input Resistance	Differential	R <sub>in</sub>	10			k Ω
Input Capacitance	Differential	C <sub>in</sub>			5	pF
Common Mode Rejection Ratio		CMRR	40			dB
Input Level	Differential	V <sub>in</sub>			40	V <sub>pp</sub>
<b>TRANSMITTER</b>						
Output Voltage	Across 35 Ω load	V <sub>out</sub>	6	7.5	9	V <sub>pp</sub>
Rise/Fall Time	10% to 90% of peak to peak output	t <sub>r</sub> , t <sub>f</sub>	100	150	300	nS
Output Dynamic Offset Voltage	Across 35 Ω load	V <sub>dyn</sub>	-90		90	mV
Output Noise	Differential	V <sub>npp</sub>			10	mV <sub>pp</sub>
Output Resistance	Differential, not transmitting	R <sub>out</sub>	10			kΩ

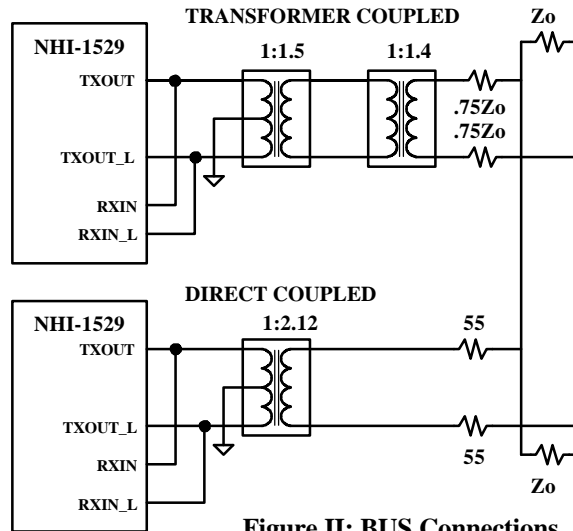
# NHI-1529 Series

**Table II: Pin Functions**

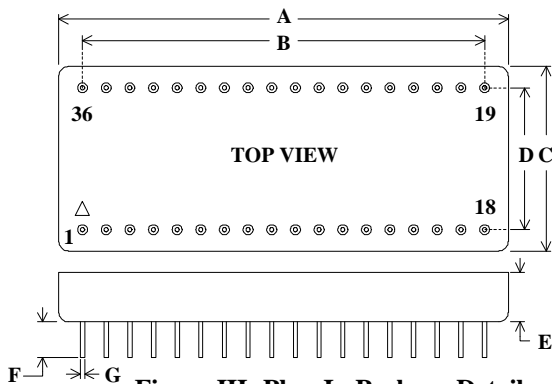
Pin#	Function	Pin#	Function
1	TXOUT_A	36	TXA_L
2	TXOUT_A_L	35	TXA
3	GND_A	34	TXINH_A
4	NC	33	+5V_A
5	RXA	32	NC
6	RXENA_A	31	GND_A
7	GND_A	30	RXIN_A_L
8	RXA_L	29	RXIN_A
9	NC	28	NC
10	TXOUT_B	27	TXB_L
11	TXOUT_B_L	26	TXB
12	GND_B	25	TXINH_B
13	NC	24	+5V_B
14	RXB	23	NC
15	RXENA_B	22	GND_B
16	GND_B	21	RXIN_B_L
17	RXB_L	20	RXIN_B
18	NC	19	NC

## Transformer Requirements:

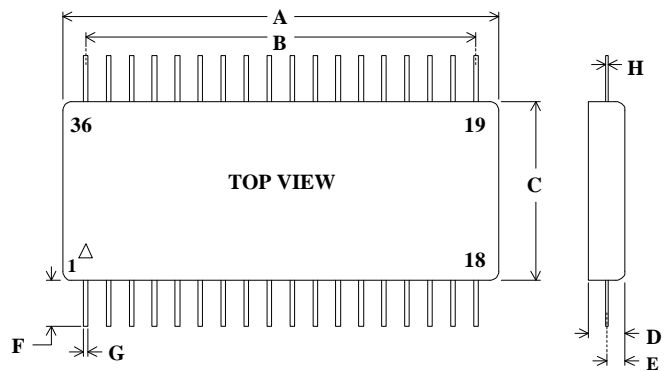
The NHI-1529 series requires a transformer with a turns ratio of 1:2.12 for Direct Coupling, and a turns ratio of 1:1.5 for Transformer Coupling to the Mil-Std-1553 Bus. Technitrol part number Q1553-5 or equivalent is recommended. The center tap on the transceiver side of the isolation transformer must be grounded.



**Figure II: BUS Connections**



**Figure III: Plug-In Package Detail**



**Figure IV: Flatpack Package Detail**

**Table III: Plug-In Dimensions**

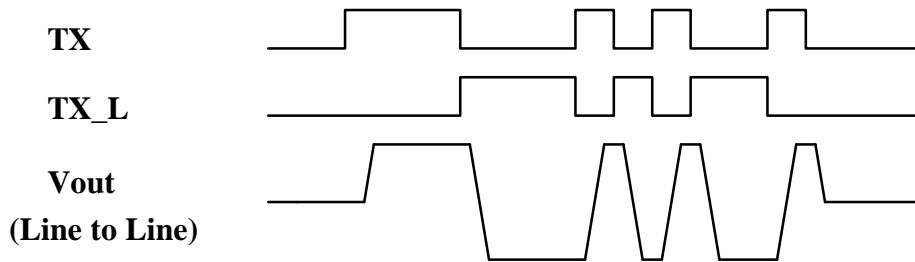
DIM	TYP (inches)	TOL (+/- inches)
A	1.900 "	0.010 "
B	17 EQ SP @	0.100 = 1.700 "
C	0.780 "	0.010 "
D	0.600 "	0.010 "
E	0.185 "	0.010 "
F	0.250 "	MIN
G	0.018 " DIA.	0.002 "

**Table IV: Flatpack Dimensions**

DIM	TYP (inches)	TOL (+/- inches)
A	1.900 "	0.010 "
B	17 EQ SP @	0.100 = 1.700 "
C	0.780 "	0.010 "
D	0.185 "	0.012 "
E	0.080 "	0.010 "
F	0.500 "	MIN
G	0.018 "	0.002 "
H	0.010 "	0.002 "

# NHI-1529 Series

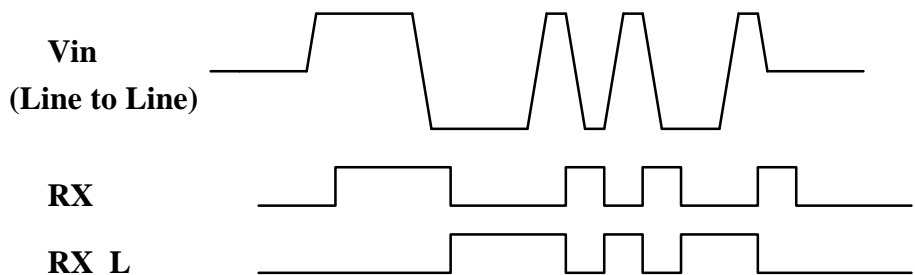
## Transmit Waveforms



## Transmitter Operation:

A high level input on TXINH will inhibit the transmitter outputs. If the TX & TX\_L transmitter inputs are both high or both low, the transmitter is also inhibited. The output drivers are short circuit protected and the device will "fold back" to decrease power dissipation under this condition until the fault is removed.

## Receive Waveforms



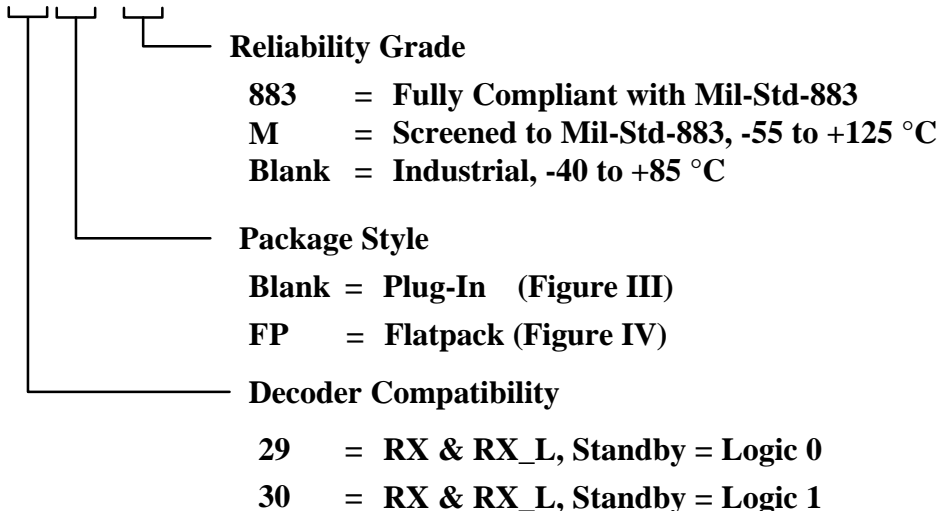
## Receiver Operation:

A low level input on RXENA will disable the receiver outputs RX & RX\_L regardless of bus activity. The receiver output compatibility may be specified as logic 0 or logic 1 when in standby mode.

\*\* See Ordering Information

## Ordering Information:

NHI-1529 FP / 883



\*\* SMD Listing: DESC Drawing# 5962-89522

See QML-38534 for NHI's Manufacturer Qualification Under Mil-PRF-38534