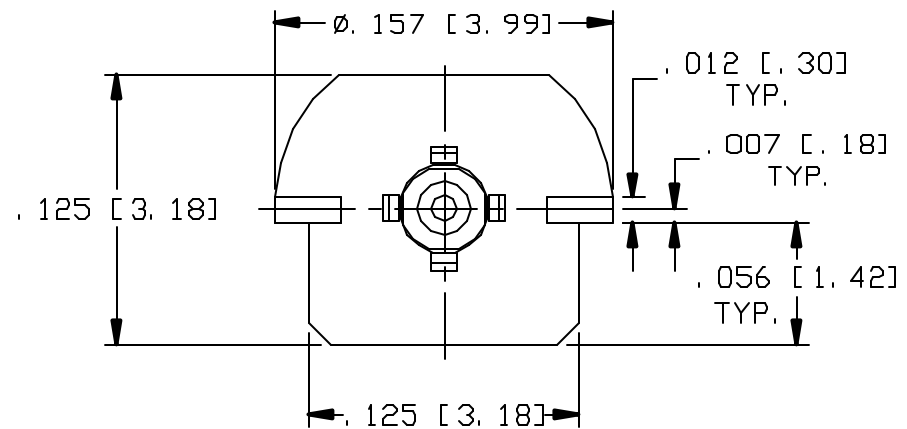
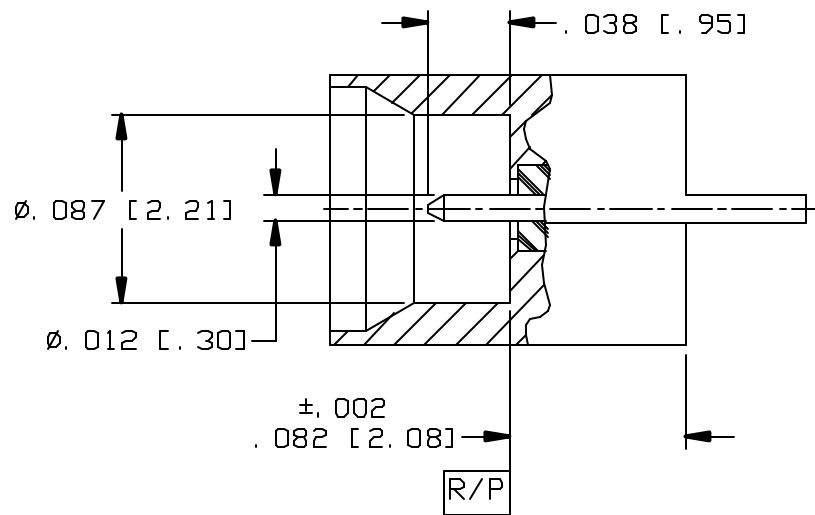
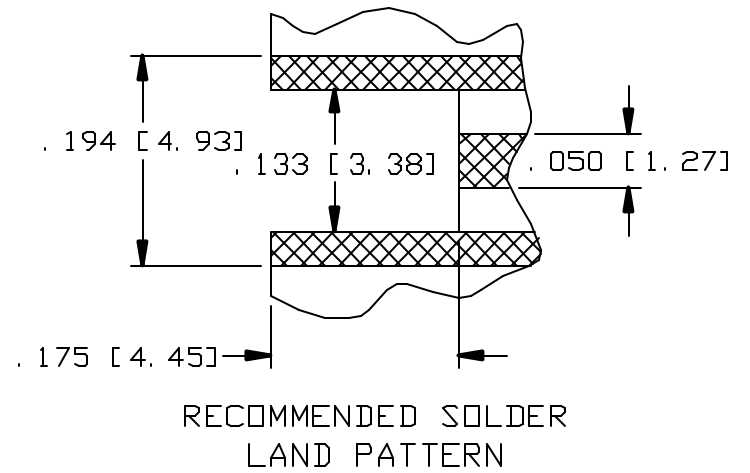
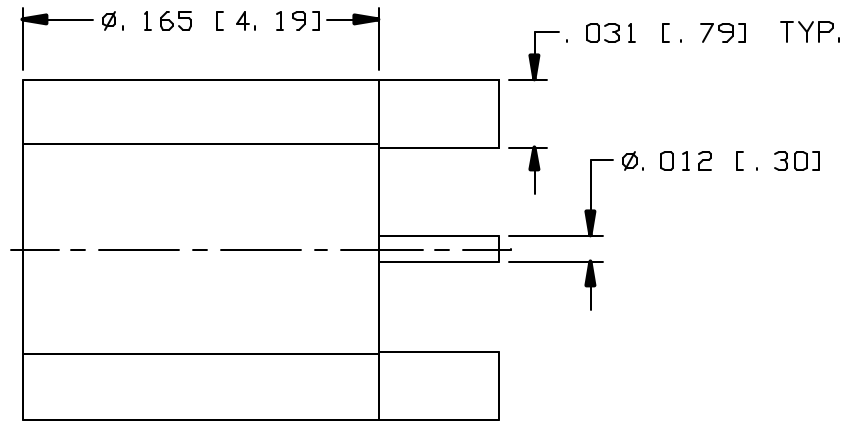


CAD DRAWING - NO MANUAL REVISIONS



NOTE:

- DESIGN AND INTERFACE PER I. D. S. -132.

				PALCO CONNECTOR 22 GREAT HILL RD., NAUGATUCK, CT 06770 UNLESS OTHERWISE SPECIFIED, PALCO WORKMANSHIP STANDARDS APPLY TOLERANCES ON: DECIMALS: XX ±.01 .XXX ±.005 ANGLES ±1/2° 32' DIMENSIONS IN INCHES OR (METRIC) DO NOT SCALE PRINTS	DRAWN ALS	CHECKED JM	ENGINEER ALS	APPROVED JM	FSCM 58167
A	PER ECN 9663	12/02/08	JEM		DESCRIPTION SMPM, PLUG, SMOOTH BORE, EDGE MOUNT	DATE 04/24/07	DRAWING NO. 132-0453-00	PLATING OPT. A	
REV.	DESCRIPTION	DATE	APPR.	CATALOG ITEM					

THE INFORMATION IN THIS DOCUMENT IS CONFIDENTIAL AND PROPRIETARY AND MAY NOT BE USED FOR ANY PURPOSE WITHOUT THE WRITTEN CONSENT OF PALCO.