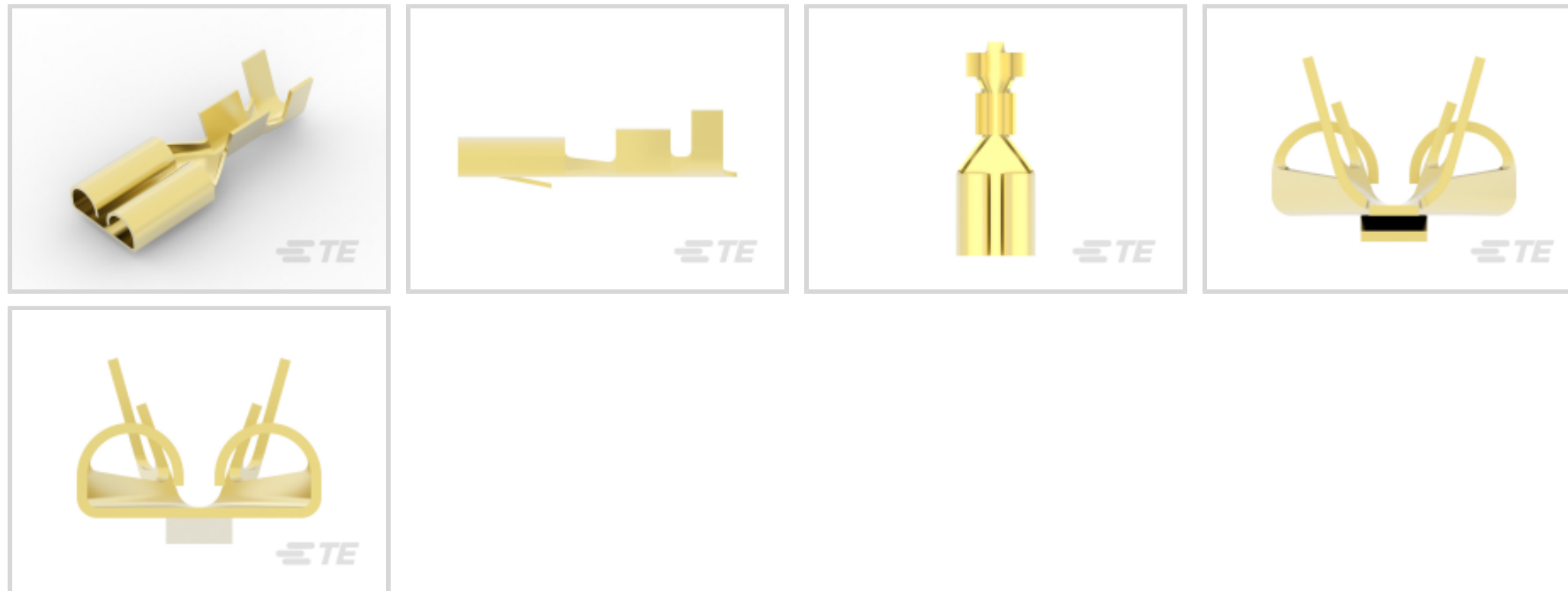




Terminals & Splices > Quick Disconnects



Terminal & Splice Type: **Receptacle**

Wire Size: **.51 – 2.08 mm²**

Mating Tab Width: **6.35 mm [.25 in]**

Mating Tab Thickness: **.81 mm [.032 in]**

Features

Product Type Features

Wire/Cable Type	Regular Wire
Wire Stop	No
Terminates To	Wire & Cable
Insertion Force	Normal
Sealable	No
Insulated	No

Configuration Features

Connection Capacity	Single
---------------------	--------

Body Features

Fully Insulated	No
Plating Material	Unplated

Contact Features

Terminal Type	Receptacle
Terminal & Splice Type	Receptacle
Terminal Orientation	Straight
Contact Base Material	Brass



Crimp Type	F-Crimp
------------	---------

Barrel Type	Open
-------------	------

Mechanical Attachment

Mating Retention Type	Locking Lance
-----------------------	---------------

Extraction Force	4.9 – 34.3 Newton
------------------	-------------------

Locking Lance Height	.93 mm
----------------------	--------

Wire Insulation Support	With
-------------------------	------

Dimensions

Accepts Wire Insulation Diameter Range	2.2 – 3.4 mm [.086 – .134 in]
--	-------------------------------

Overall Length	21.5 mm [.846 in]
----------------	-------------------

Receptacle Terminal Stock Thickness	.33 mm [.013 in]
-------------------------------------	------------------

Wire Size	.51 – 2.08 mm ²
-----------	----------------------------

Mating Tab Width	6.35 mm [.25 in]
------------------	------------------

Mating Tab Thickness	.81 mm [.032 in]
----------------------	------------------

Usage Conditions

Operating Temperature Range	-40 – 110 °C [-40 – 230 °F]
-----------------------------	-----------------------------

Industry Standards

CSA Certified	Yes
---------------	-----

UL Rating	Listed
-----------	--------

Packaging Features

Packaging Quantity	6000
--------------------	------

Packaging Method	Strip/Reel
------------------	------------

Other

Comment	With lance.
---------	-------------

Product Compliance

[For compliance documentation, visit the product page on TE.com>](#)

EU RoHS Directive 2011/65/EU	Compliant
------------------------------	-----------

EU ELV Directive 2000/53/EC	Compliant
-----------------------------	-----------

China RoHS 2 Directive MIIT Order No 32, 2016	No Restricted Materials Above Threshold
---	---

EU REACH Regulation (EC) No. 1907/2006	Current ECHA Candidate List: JAN 2019 (197)
--	---

Candidate List Declared Against: JAN 2019
(197)

Halogen Content	Low Halogen - Br, Cl, F, I < 900 ppm per homogenous material. Also BFR/CFR/PVC Free
Solder Process Capability	Not applicable for solder process capability

Product Compliance Disclaimer

This information is provided based on reasonable inquiry of our suppliers and represents our current actual knowledge based on the information they provided. This information is subject to change. The part numbers that TE has identified as EU RoHS compliant have a maximum concentration of 0.1% by weight in homogenous materials for lead, hexavalent chromium, mercury, PBB, PBDE, DBP, BBP, DEHP, DIBP, and 0.01% for cadmium, or qualify for an exemption to these limits as defined in the Annexes of Directive 2011/65/EU (RoHS2). Finished electrical and electronic equipment products will be CE marked as required by Directive 2011/65/EU. Components may not be CE marked. Additionally, the part numbers that TE has identified as EU ELV compliant have a maximum concentration of 0.1% by weight in homogenous materials for lead, hexavalent chromium, and mercury, and 0.01% for cadmium, or qualify for an exemption to these limits as defined in the Annexes of Directive 2000/53/EC (ELV). Regarding the REACH Regulations, TE's information on SVHC in articles for this part number is still based on the European Chemical Agency (ECHA) 'Guidance on requirements for substances in articles' (Version: 2, April 2011), applying the 0.1% weight on weight concentration threshold at the finished product level. TE is aware of the European Court of Justice ruling of September 10th, 2015 also known as O5A (Once An Article Always An Article) stating that, in case of 'complex object', the threshold for a SVHC must be applied to both the product as a whole and simultaneously to each of the articles forming part of its composition. TE has evaluated this ruling based on the new ECHA "Guidance on requirements for substances in articles" (June 2017, version 4.0) and will be updating its statements accordingly.

Compatible Parts



TE Part # 2150034-1
OCEAN_2.0_APPLICATOR-E-110F180F



TE Part # 2150034-2
OCEAN_2.0_APPLICATOR-E-110F180FA



TE Part # 7-2150034-7
OCEAN_2.0_SPARE_PART_KIT-110F180F



TE Part # 2-2150034-2
OCEAN_2.0_APPLICATOR-E-110F180FA

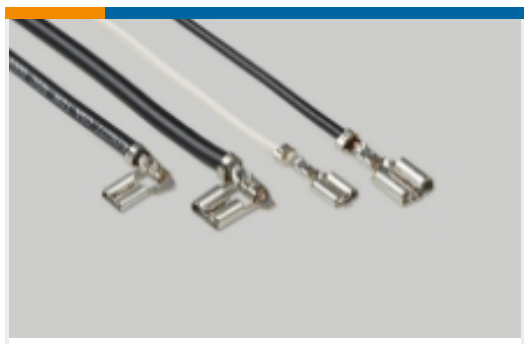


TE Part # 2-2150034-1
OCEAN_2.0_APPLICATOR-E-110F180F

Also in the Series | **FASTIN-FASTON 250**

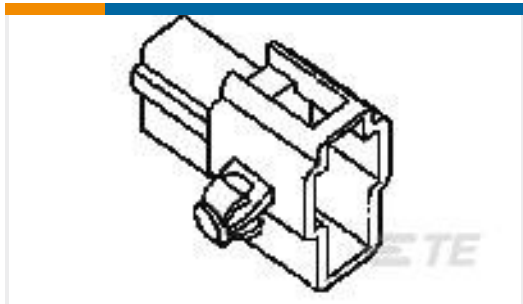


Crimp Terminal Housings
(222)

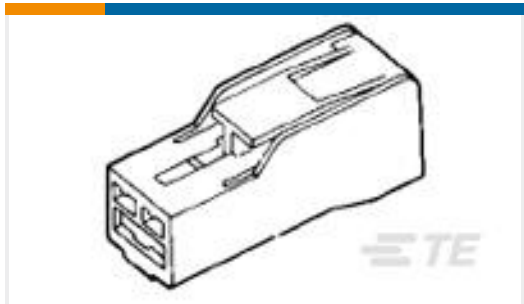


Quick Disconnects(256)

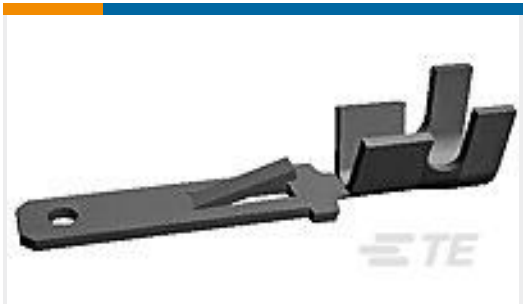
Customers Also Bought



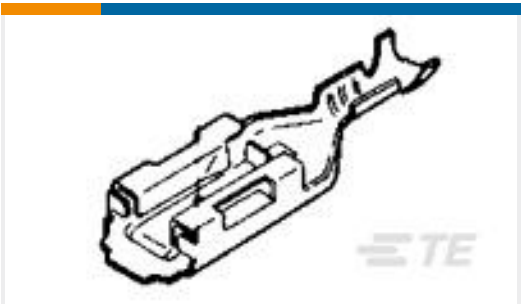
TE Part #172383-1
FF 250 REC HSG 2P
NYLON NAT P/M



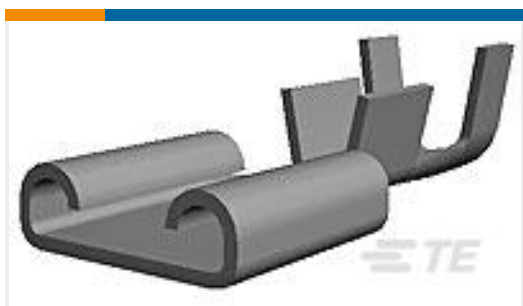
TE Part #172320-1
POSITIVE LOCK 250 (6.3
MM) HOUSING



TE Part #170030-1
FF 250 TAB 20-14AWG BR



TE Part #170452-1
PL 250 AM REC 22-20
AWG 0.406 X 21 BR



TE Part #170179-2
FASTON 205 REC 18-14
AWG 0.157 X .650

Documents

Product Drawings

FF 250 REC 20-14AWG BR

English

CAD Files

3D PDF

3D

Customer View Model

[ENG_CVM_CVM_170031-1_AF.2d_dxf.zip](#)

English

Customer View Model

[ENG_CVM_CVM_170031-1_AF.3d_igs.zip](#)

English

Customer View Model

[ENG_CVM_CVM_170031-1_AF.3d_stp.zip](#)

English



Product Specifications

Application Specification

Japanese

Crimping of 250 Series Tab and Receptacle Contacts

Japanese

Crimping of 250 Series Tab and Receptacle Contacts

Japanese

Application Specification

Japanese

Product Environmental Compliance

TE Material Declaration

English

Agency Approvals

UL Report

English