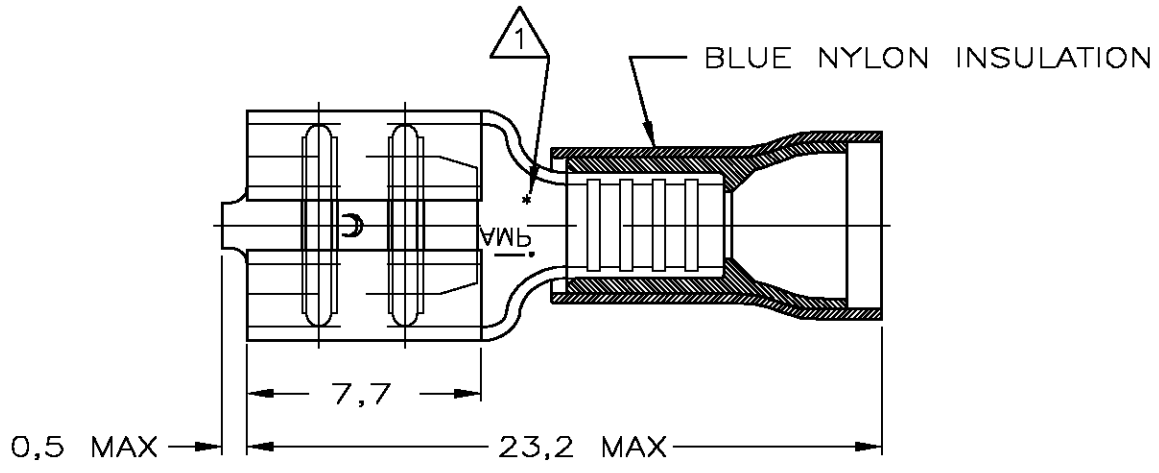


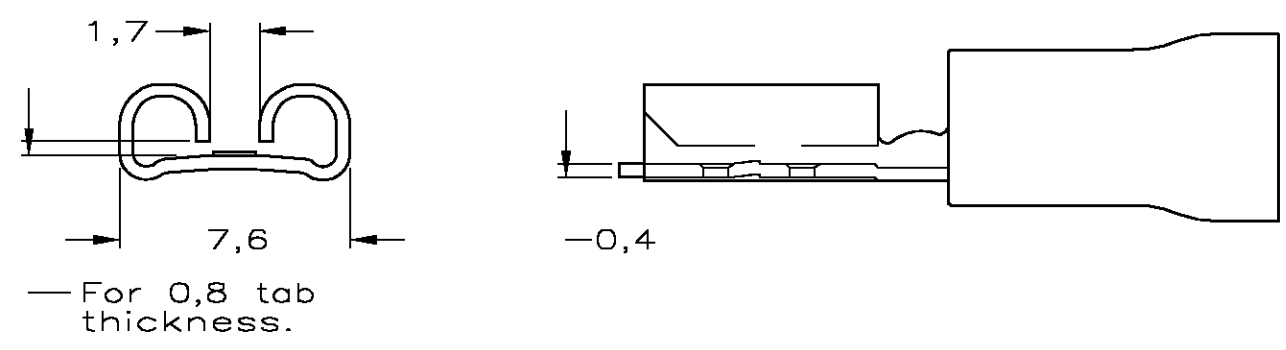
THIS DRAWING IS UNPUBLISHED. RELEASED FOR PUBLICATION
 © COPYRIGHT BY TYCO ELECTRONICS CORPORATION. ALL RIGHTS RESERVED.

LOC	DIST	REVISIONS					
		P	LTR	DESCRIPTION	DATE	DWN	APVD
G	86		H	REV PER 0G3A-0796-04	08OCT04	JR	TM



NOTES

- 1 ASTERISK * FOR PH.BRONZE VERSIONS ONLY.
- 2 WIRE RANGE: 1,0-2,6mm². INSUL. RANGE: 4,3mm MAX. DIA..
- 3 OBSOLETE WITHOUT REPLACEMENT



1	TAPE MOUNTED	9-160313-7 3	5-160313-7 3
1	TAPE MOUNTED	9-160313-6	5-160313-6 3
1	TAPE MOUNTED	9-160313-5	5-160313-5
	TAPE MOUNTED	9-160313-4 3	5-160313-4 3
	TAPE MOUNTED	9-160313-3 3	5-160313-3 3
	TAPE MOUNTED	9-160313-2	5-160313-2
1	TIN-LEAD	PH.BRONZE	9-160313-8 3
1	GOLDPLATED	PH.BRONZE	9-160313-7 3
1	SILVERPLATED	PH.BRONZE	9-160313-6
1	TINPLATED	PH.BRONZE	9-160313-5
	GOLDPLATED	BRASS	9-160313-4 3
	SILVERPLATED	BRASS	9-160313-3 3
	TINPLATED	BRASS	9-160313-2
	FINISH	MATERIAL	PARTNUMBER

THIS DRAWING IS A CONTROLLED DOCUMENT.		DWN JR RUTH 08OCT04	Tyco Electronics Corporation Harrisburg, Pa 17105-3608	
DIMENSIONS: mm		CHK T MICHIELUTTI 08OCT04	NAME .250 SRS P.I.D.G. FASTON REC.	
TOLERANCES UNLESS OTHERWISE SPECIFIED:		APVD T MICHIELUTTI 08OCT04	PRODUCT SPEC	
0 PLC ± - 1 PLC ± - 2 PLC ± - 3 PLC ± - 4 PLC ± - ANGLES ± -		APPLICATION SPEC		
MATERIAL	FINISH	WEIGHT	SIZE A3	CAGE CODE 00779
-	-	-	DRAWING NO C-160313	
CUSTOMER DRAWING			RESTRICTED TO	SCALE
			-	SHEET 1 OF 1
			REV	H