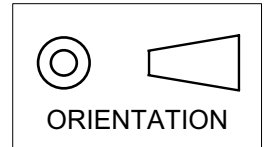
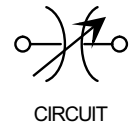
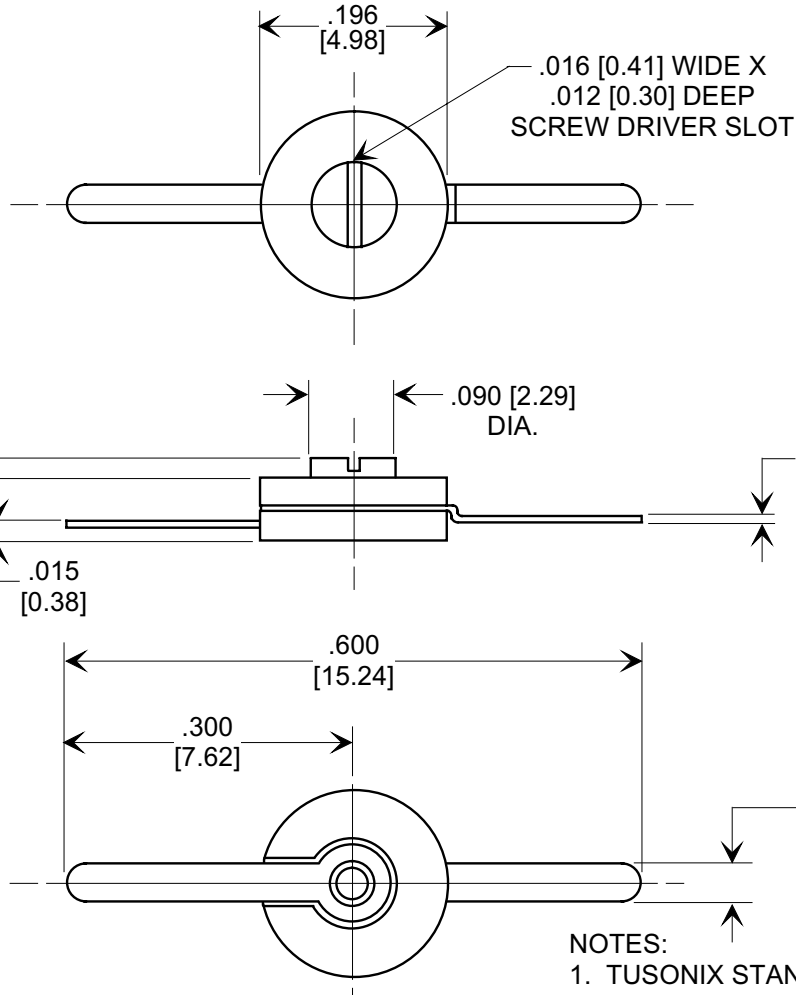


This drawing is the property of Tusonix, Inc., and may not be used, reproduced, published or disclosed to others without expressed authorization by Tusonix Inc.

MARKETING SALES DRAWING
DIMENSIONS IN INCHES - DO NOT SCALE THIS DRAWING
DIMENSIONS IN METRIC - []



Electrical Testing
per Tusonix standard
test plans and Mil-Std-202
Test Methods.



NOTES:

1. TUSONIX STANDARD PART NUMBER: 513-020 A 4.5-14.
TUSONIX RoHS COMPLIANT PART NUMBER: 513-020 A 4.5-14 LF.
CUSTOMER MUST SPECIFY STANDARD OR RoHS PART NUMBER WHEN ORDERING.
2. ALL METAL PARTS FINISH:
STANDARD PART - 60/40 SOLDER AND SILVER.
RoHS PART - SILVER
3. PART MARKING: STANDARD PART: NONE. RoHS PART: GREEN INK DOT IDENTIFIER.
4. DIMENSION TOLERANCES
 $\leq .125" [3.18] = \pm .005 [0.13]$
 $\geq .126" [3.20] = \pm .015 [0.38]$

SPECIFICATIONS

Value:	4.5 - 14 pF
Value Tol.:	MIN. +10% / MAX. -10% +100%
Rating:	100 VDC
Diel. Code:	A (NP0)
Operating Range:	-55°C TO + 85°C
Dwv	200 VDC
I.R. MIN. @ 25°C	10 GΩ
To Tusonix Spec Unless Stated Otherwise	

X-2015 Rev-0

REVISION RECORD Original Release C.O. 20010926-1-03 VALUE TOL. REV'D MIN. +10% / MAX. -10% +100% WAS MUST MEET MIN. / MAX. CAP. L.E. 10-31-01 20011025-2-05 NOTES REV'D & DWV & I.R. ADDED TO SPEC. TABLE L.E. 03-28-06 20060323-4-07	TOLERANCES unless otherwise specified 2 PLC. DECIMAL ± // // 3 PLC. SEE NOTE 2 DECIMAL ±		Title <p style="text-align: center;">LOW PROFILE CERAMIC TRIMMER</p>	
	ANGLES ± // //		Drawn L.E. 09-26-01	Scale 5 X
	TUSONIX TUCSON, ARIZONA		Approved T.C. 09-26-01	
	A		513-020 A 4.5-14	