

M27C202

Fast Word-Wide 256K (16K x 16) EPROM

Military

- **High Speed**
— 90 ns Access Time Maximizes CPU Performance
- **Low-Power CHMOS***
— 100 mA Active, 15 mA Standby
- **High Drive Capability**
— 4 mA Source/16 mA Sink Handles Large Arrays
- **High-Density Upgrade Pinout**
— Matches 27210 1M EPROM
- **Rapid Programming**
— 4 Second Throughput for Automated Manufacturing
- **Simple Interfacing**
— TTL and CMOS Compatible
— 2-Line Output Control
- **Military Temperature Range:**
— 55°C to +125°C

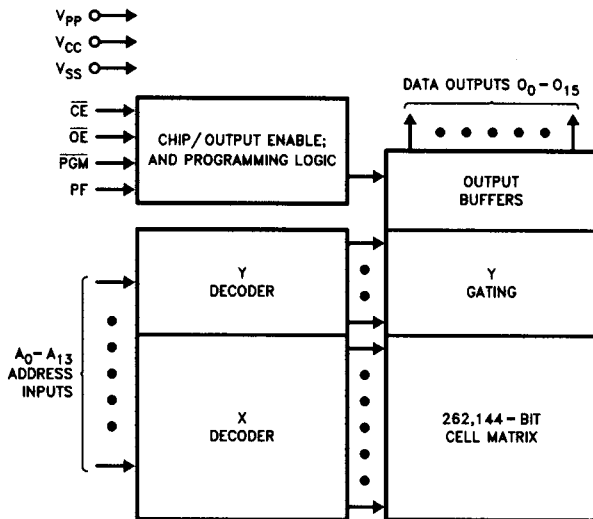
The Intel M27C202 is a high-performance, 262,144-bit, electrically programmable read only memory organized as 16 K-words of 16 bits each. Its high-density, word-wide configuration provides high integration for today's speed-critical applications.

The M27C202 meets no-wait-state performance requirements for many advanced 32-bit microprocessors. The large 256 K-bit capacity is well suited for high-end embedded control applications. The M27C202's organization provides an optimal single-chip firmware solution for code needs of monolithic 16-bit digital signal processors. System interfacing is simple, given two-line output control common to all standard Intel EPROMs. In addition, both TTL and CMOS logic can be used with the M27C202.

The Quick-Pulse Programming™ algorithm, with throughput times as fast as 4 seconds per device, improves manufacturing efficiency.

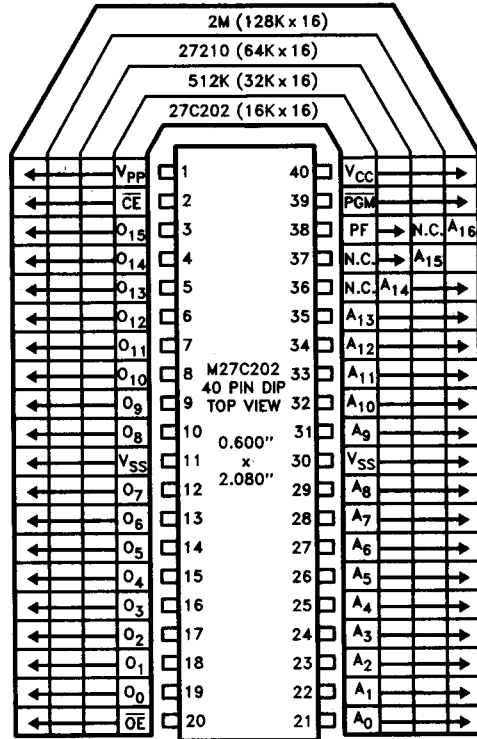
The M27C202 is manufactured on Intel's advanced CHMOS* III-E process, which is optimized for high-performance products.

*CHMOS is a patented process of Intel Corporation.



271122-1

Figure 1. M27C202 Block Diagram



271122-2

Figure 2. DIP Pin Configurations