

SERIES BNC

COAXIAL MINIATURE CONNECTORS 50 Ω

Description

SUHNER BNC is the most popular connector series, featuring a two stud bayonet coupling mechanism, which is particularly useful for frequently coupled and uncoupled RF connections with frequencies up to 4 GHz.

Compatibility

All 50Ω BNC connectors and 75Ω BNC connectors are intermateable without any restrictions.

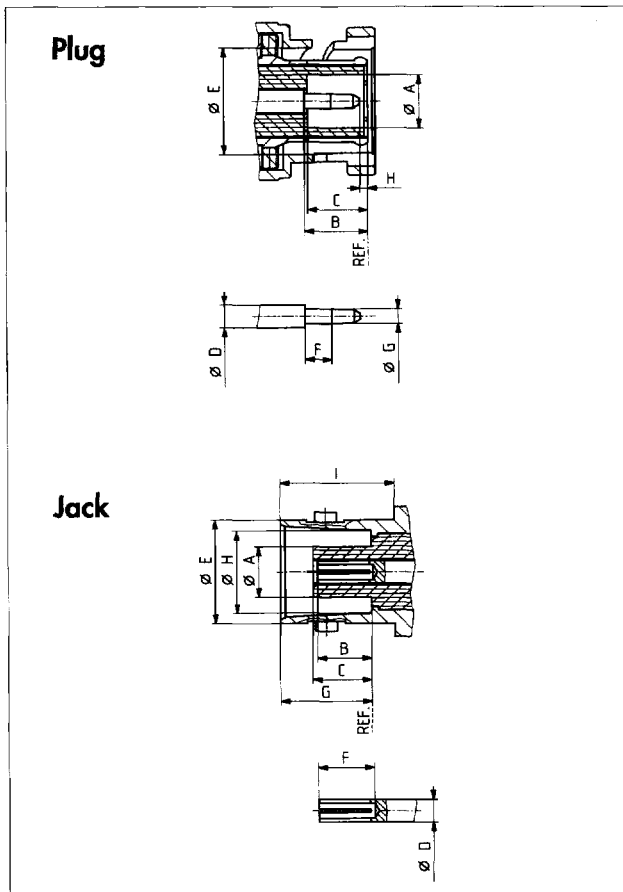
Contents

Page

Description	195
Interface Dimensions	195
Interface Dimensions in mm / inches	195
Standards	195
Technical Data	196
Cable Connectors for Semi-Rigid Cables ...	198
Cable Connectors for Flexible Cables	199
Receptacles with Solder End	209
PCB Connectors	214
Adapters Within-Series	215
Protective Caps and Shorts	218
Terminations	220

Interface Dimensions

Interface Dimensions in mm / inches



	Plug		Jack	
	min.	max.	min.	max.
A	4.83/.190	—	—	4.72/.186
B	5.33/.210	5.84/.230	4.72/.186	5.23/.206
C	5.28/.208	5.79/.228	4.78/.188	5.28/.208
D	2.06/.081	2.21/.087	2.06/.081	2.21/.087
E	9.78/.385	9.91/.390	9.60/.378	9.70/.382
F	1.98/.078	—	4.95/.195	—
G	1.32/.052	1.37/.054	8.31/.327	8.51/.335
H	0.08/.003	—	8.10/.319	8.15/.321
I	—	—	10.52/.414	—

Standards

Interface dimensions conform to
IEC 169-8
MIL-STD-348A/301
CECC 22120
BS 9210 N 004

BNC

Technical Data

ELECTRICAL DATA	REQUIREMENTS
Impedance	50 Ω
Frequency range	DC ... 4 GHz (see also Appendix page 436)
VSWR	see table below
Insertion loss (f in GHz)	see Appendix page 437
RF-leakage (between 2 ÷ 3 GHz)	≥ 55 dB
Dielectric withstanding voltage (at sea level)	1.5 kV rms, 50 Hz
Working voltage (at sea level)	≤ 500 V rms, 50 Hz
Insulation resistance	$\geq 5 \cdot 10^3$ M Ω
Contact resistance – centre contact – outer contact	≤ 1.5 m Ω ≤ 1 m Ω

TYPICAL VSWR	FREQUENCY RANGE			CABLE GROUP
	1 GHz	2.5 GHz	4 GHz	
straight connectors	1.04	1.06	1.07	Y3, Y11
	1.04	1.06	1.07	Y5, Y12
	1.22	1.35	1.40	U2, U4
	1.12	1.14	1.16	U7, U9
	1.07	1.12	1.14	U29
right angle connectors	1.08	1.15	1.33	U2, U4
	1.04	1.10	1.22	U7, U9

Other connectors and cables on request

MECHANICAL DATA	REQUIREMENTS
Coupling nut torque	7 Ncm ... 28 Ncm / 0.6 in.-lbs ... 2.5 in.-lbs
Coupling nut retention force	≥ 450 N / 101.2 lbs
contact captivation	≥ 27 N / 6.1 lbs
Cable retention force ¹⁾	see pages 36 – 41
Durability (matings)	≥ 500

1) value considers maximum load of the cables without irreversible variations of specifications.

ENVIRONMENTAL DATA	TEST CONDITIONS
Temperature range	- 65°C ... + 165°C / - 85°F ... + 329°F
Climatic category acc. to IEC	55/155/21
Thermal shock	MIL-STD-202, Method 107, Condition B
Moisture resistance	MIL-STD-202, Method 106
Corrosion	Saltspray test acc. to MIL-STD-202, Method 101, Condition B
Vibration	MIL-STD-202, Method 204, Condition B
Shock	MIL-STD-202, Method 213, Condition G

MATERIAL DATA			
CONNECTOR PART	STANDARDS	MATERIAL	SURFACE/PLATING
Bodies Pin contact	QQ-B-626	brass	SUCOPLATE® gold plated
Socket contact	QQ-C-530	beryllium-copper, hardened	gold plated
Crimp ferrules	SUHNER® specification	copper	SUCOPLATE®
Insulators	ASTM-D-1457, BS 4271 Grade B	PTFE	
Gaskets	ASTM-M-E 1418 PS 1	silicone rubber	

Some connectors may have a specification that differs from the above mentioned data.

Cable Connectors for Semi-Rigid Cables

straight plugs

- > cable entry soldered
- > centre contact soldered

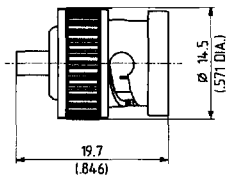


Fig. 1

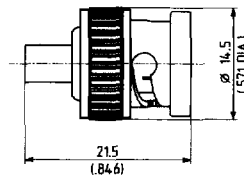
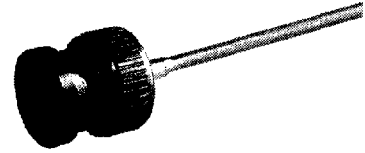


Fig. 2



SUHNER TYPE	Ident. no.	Cable group (example)	Assembly instruction	Weight	Fig.	Notes
11 BNC-50-2-20	641778	Y3, Y11 (EZ 86)	9100	9.5 g/.333 oz.	1	
11 BNC-50-3-54	540108	Y5, Y12 (EZ 141)	9106	9.5 g/.333 oz.	2	

bulkhead jacks

- > suitable for insulated mounting
- > insulating washers see page 425
- > with panel seal

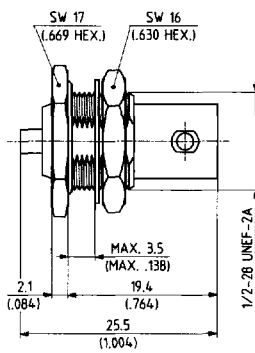


Fig. 1

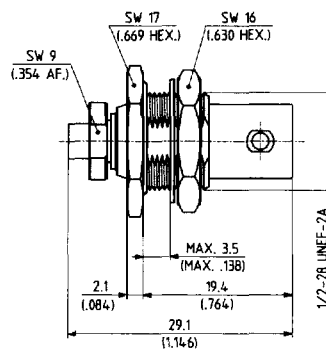
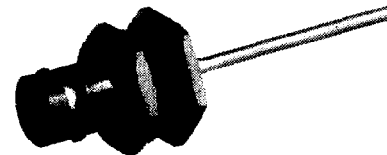


Fig. 2



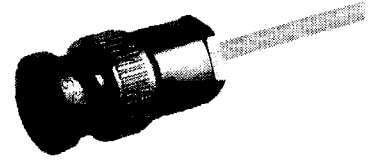
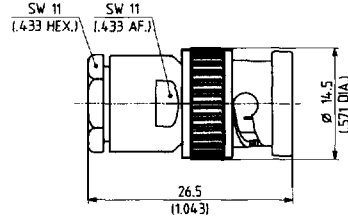
SUHNER TYPE	Ident. no.	Cable group (example)	Assembly instruction	Weight	Fig.	Notes
24 BNC-50-2-20	641886	Y3, Y11 (EZ 86)	9100	16.0 g/.560 oz.	1	mounting hole ML 4
24 BNC-50-3-33	641923	Y5, Y12 (EZ 141)	9005	17.5 g/.613 oz.	2	mounting hole ML 4

- centre contact captivated

Cable Connectors for Flexible Cables

straight plugs

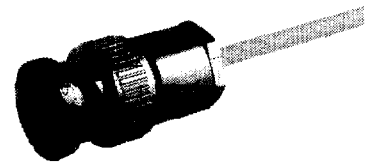
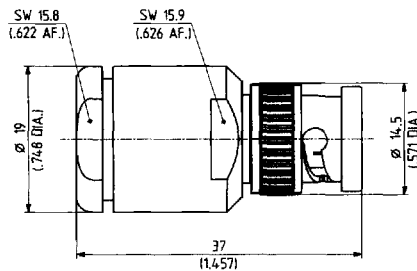
- > cable entry clamp
- > centre contact soldered



SUUNER TYPE	Ident. no.	Cable group (example)	MIL M 39012/	Assembly instruction	Weight	Notes
11 BNC-50-1-1	• 540021	U1 (RG 178 B/U)		3005	18.0 g/.630 oz.	
11 BNC-50-2-1	• 540029	U2 (RG 316/U)		3005	18.0 g/.630 oz.	
11 BNC-50-2-2	• 540031	U4 (K 02252 D)		3005	18.0 g/.630 oz.	
11 BNC-50-3-1	540045	U7,10 (RG58C/U)		3004	16.0 g/.560 oz.	
11 BNC-50-3-5	• 540054	U7,10 (RG58C/U)	16-0101	3005	16.0 g/.560 oz.	
11 BNC-50-4-3	540111	U15 (RG 59 B/U)		3004	16.0 g/.560 oz.	
11 BNC-50-5-1	540135	U19 (G 05232)		3004	14.5 g/.508 oz.	
11 BNC-50-5-2	540137	U23 (RG 6 A/U)		3004	14.5 g/.508 oz.	

BNC 50

- > cable entry clamp
- > centre contact soldered

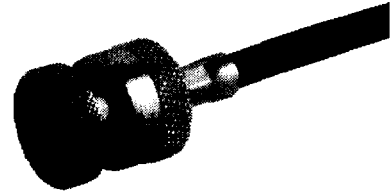
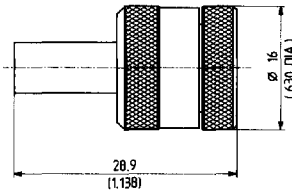


SUUNER TYPE	Ident. no.	Cable group (example)	Assembly instruction	Weight	Notes
11 BNC-50-7-1	• 540145	U28 (RG 213/U)	3008	38.0 g/1.33 oz.	
11 BNC-50-7-2	• 540149	U33 (RG 214/U)	3008	38.0 g/1.33 oz.	

- centre contact captivated

straight plug with screw-locking device

- > SUHNER® full crimp
- > taper sleeves see page 423
- > bayonet coupling can be screw-locked



SUHNER TYPE	Ident. no.	Cable group (example)	Crimp insert	Assembly instruction	Weight	Notes
11 BNC-50-3-41	• 540095	U7 (RG 58 C/U)	2 B	3015	17.0 g/.595 oz.	
11 BNC-50-3-42	• 540097	U9 (RG 223/U)	2 B	3015	17.0 g/.595 oz.	

straight plugs

- > SUHNER® full crimp
- > taper sleeves see page 423

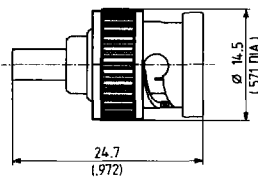
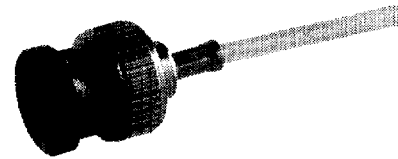


Fig. 1

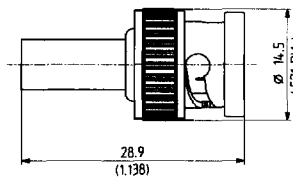


Fig. 2

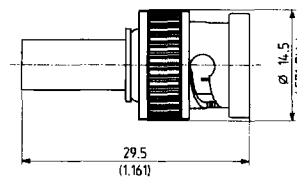


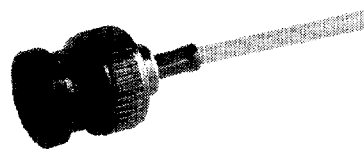
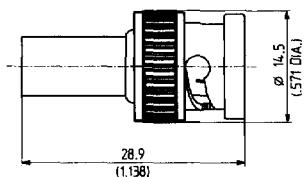
Fig. 3

SUHNER TYPE	Ident. no.	Cable group (example)	Crimp insert	MIL M 39012/	Assembly instruction	Weight	Fig.	Notes
11 BNC-50-1-5	• 641759	U1 (RG 178 B/U)	1 A		9068	10.0 g/.350 oz.	1	
11 BNC-50-2-13	• 543749	U2 (RG 316/U)	1 A		9068	10.0 g/.350 oz.	1	
11 BNC-50-2-14	• 641683	U4 (K 02252 D)	1 A		9068	10.0 g/.350 oz.	1	
11 BNC-50-2-16	• 544026	U3 (G 01130 HT)	1 A		9068	10.0 g/.350 oz.	1	
11 BNC-50-3-4	• 540052	U7 (RG 58 C/U)	2 B	16-0004	3015	10.5 g/.368 oz.	2	
11 BNC-50-3-25	• 540077	U7 (RG 58 C/U)	2 B		3015	11.0 g/.385 oz.	3	*
11 BNC-50-3-16	• 540071	U9 (RG 223/U)	2 B	16-0005	3015	10.5 g/.368 oz.	2	
11 BNC-50-3-58	• 641576	U8 (S 03232-1)	2 B		3015	10.5 g/.368 oz.	2	

* cable braid insulated from connector body

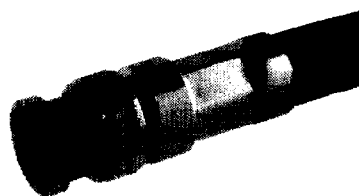
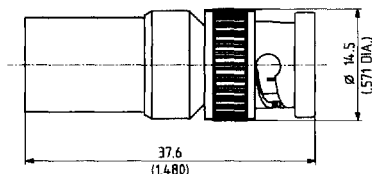
• centre contact captivated

- > SUHNER® full crimp
- > taper sleeves see page 423



SUHNER TYPE	Ident. no.	Cable group (example)	Crimp insert	MIL M 39012/	Assembly instruction	Weight	Notes
11 BNC-50-3-36	• 540089	U13 (G03130-HT)	2 C		27057	10.5 g/.368 oz.	
11 BNC-50-4-4	• 540115	U16 (RG 59 B/U)	2 C	16-0008	3015	11.5 g/.403 oz.	
11 BNC-50-4-23	• 543958	U16 (RG 59 B/U)	2 C		9098	11.5 g/.403 oz.	

- > SUHNER® full crimp
- > taper sleeves see page 423



SUHNER TYPE	Ident. no.	Cable group (example)	Crimp insert	Assembly instruction	Weight	Notes
11 BNC-50-7-6	• 640863	U32 (RG 214/U)	3 D	3061	18.0 g/.630 oz.	
11 BNC-50-7-7	• 543766	U29 (RG 213/U)	3 D	3061	18.0 g/.630 oz.	

- centre contact captivated

right angle plugs

- > cable entry crimp
- > centre contact soldered
- > taper sleeves see page 423

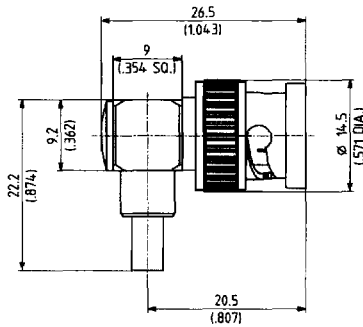


Fig. 1

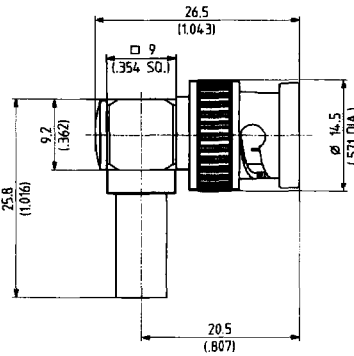
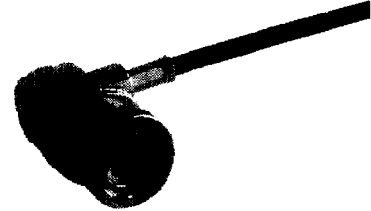
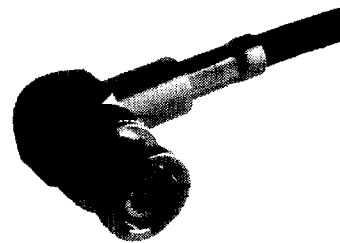
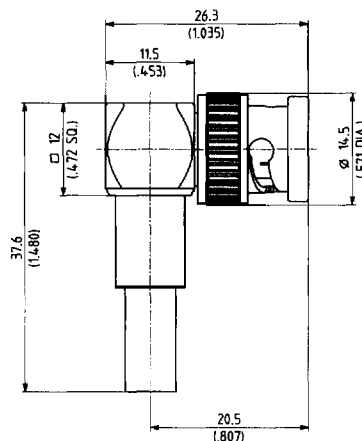


Fig. 2



SUHNER TYPE	Ident. no.	Cable group (example)	Crimp insert	Assembly instruction	Weight	Fig.	Notes
16 BNC-50-1-2	• 540163	U1 (RG 178 B/U)	A	3079	17.0 g/.595 oz.	1	
16 BNC-50-2-3	• 540168	U2 (RG 316/U)	A	3079	17.0 g/.595 oz.	1	
16 BNC-50-2-5	• 540169	U4 (K 02252 D)	A	3079	17.0 g/.595 oz.	1	
16 BNC-50-3-5	• 540185	U7 (RG 58 C/U)	B	3058	18.0 g/.630 oz.	2	
16 BNC-50-3-7	• 540192	U9 (RG 223/U)	B	3058	18.0 g/.630 oz.	2	

- > SUHNER® full crimp
- > taper sleeves see page 423



SUHNER TYPE	Ident. no.	Cable group (example)	MIL M 39012/	Crimp insert	Assembly instruction	Weight	Notes
16 BNC-50-3-13	• 540198	U7 (RG 58 C/U)	20-0002	2 B	3015	18.0 g/.630 oz.	

- centre contact captivated

> cable entry clamp

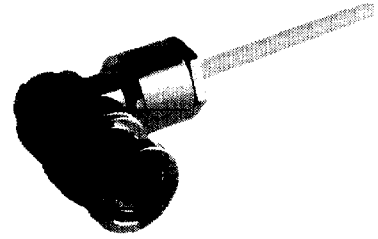
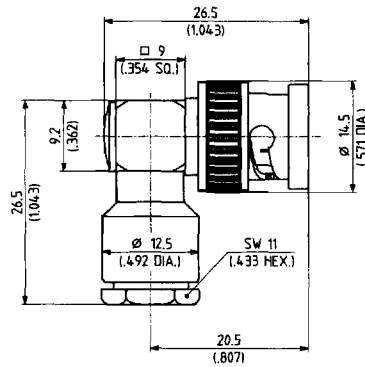
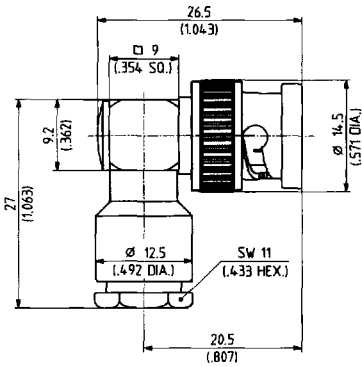


Fig. 1

Fig. 2

SUHNER TYPE	Ident. no.	Cable group (example)	Assembly instruction	Weight	Fig.	Notes
16 BNC-50-2-2	• 540166	U2 (RG 316/U)	3024	26.5 g/.928 oz.	1	
16 BNC-50-3-6	• 540189	U7,10 (RG58C/U)	3024	25.0 g/.875 oz.	2	

> cable entry clamp

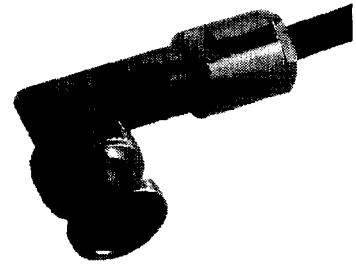
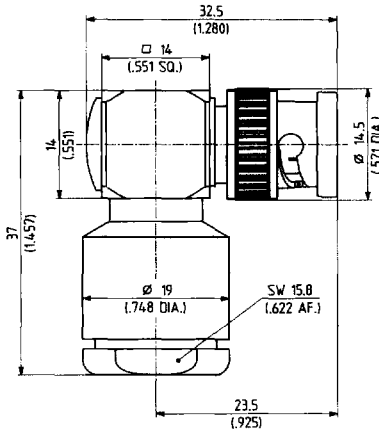
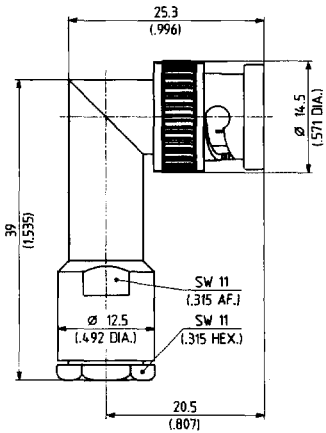


Fig. 1

Fig. 2

SUHNER TYPE	Ident. no.	Cable group (example)	MIL M 39012/	Assembly instruction	Weight	Fig.	Notes
16 BNC-50-3-7	• 540195	U7,10 (RG58C/U)	20-0101	3005	32.5 g/1.14 oz.	1	replaces UG913/U
16 BNC-50-7-6	• 651588	U28 (RG 213/U)		3003	52.1 g/1.82 oz.	2	

• centre contact captivated

BNC 50

straight jacks

- > SUHNER® full crimp
- > taper sleeves see page 423

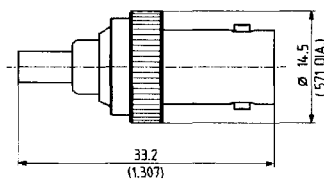


Fig. 1

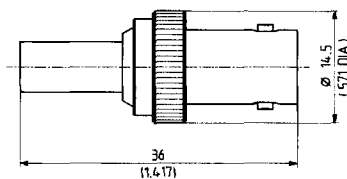
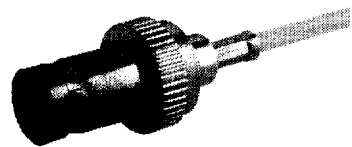
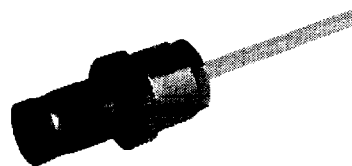
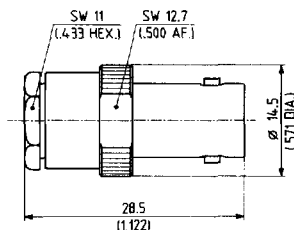


Fig. 2



SUHNER TYPE	Ident. no.	Cable group (example)	Crimp insert	MIL M 39012/	Assembly instruction	Weight	Fig.	Notes
21 BNC-50-1-4	• 641777	U1 (RG 178 B/U)	1 A		9068	13.5 g/.473 oz.	1	
21 BNC-50-2-9	• 641732	U2 (RG 316/U)	1 A		9068	13.5 g/.473 oz.	1	
21 BNC-50-2-10	• 641779	U4 (K 02252 D)	1 A		9068	13.5 g/.473 oz.	1	
21 BNC-50-3-2	• 540242	U7 (RG 58 C/U)	2 B	17-0004	3015	14.9 g/.522 oz.	2	
21 BNC-50-3-9	• 540255	U9 (RG 223/U)	2 B	17-0005	3015	14.0 g/.490 oz.	2	

- > cable entry clamp

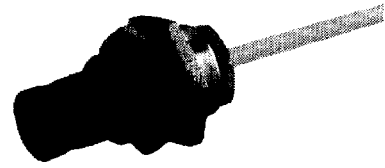
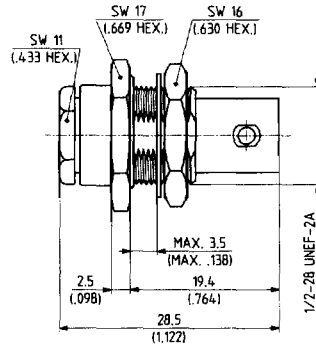


SUHNER TYPE	Ident. no.	Cable group (example)	MIL M 39012/	Assembly instruction	Weight	Notes
21 BNC-50-2-1	• 540228	U2 (RG 316/U)		3005	17.0 g/.595 oz.	
21 BNC-50-3-12	• 540263	U7,10 (RG58C/U)	17-0101	3005	15.5 g/.543 oz.	replaces UG 89/U

- centre contact captivated

straight bulkhead jacks

- > cable entry clamp
- > with panel seal
- > suitable for insulated mounting
- > insulating washers see page 425



SUHNER TYPE	Ident. no.	Cable group (example)	MIL M 39012/	Assembly instruction	Mounting hole	Weight	Notes
24 BNC-50-1-1	• 540362	U1 (RG 178 B/U)		3005	ML 4	21.5 g/.753 oz.	
24 BNC-50-2-1	• 540365	U2 (RG 316/U)		3005	ML 4	21.5 g/.753 oz.	
24 BNC-50-3-5	• 540385	U7,10 (RG58C/U)	19-0101	3005	ML 4	19.0 g/.665 oz.	

- > SUHNER® full crimp
- > with panel seal
- > insulating washers see page 425
- > taper sleeves see page 423

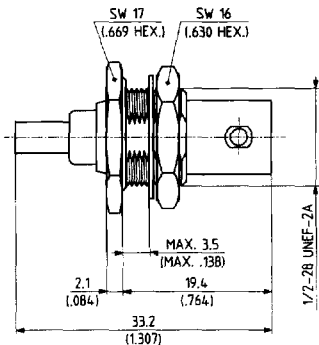


Fig. 1

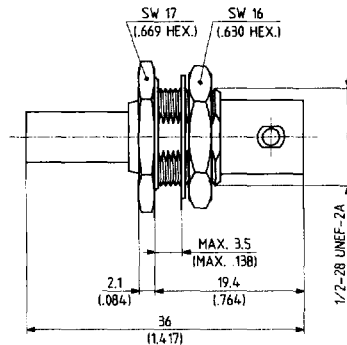
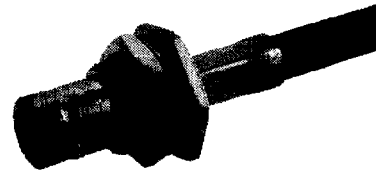


Fig. 2



SUHNER TYPE	Ident. no.	Cable group (example)	Crimp insert	MIL M 39012/	Assembly instruction	Weight	Fig.	Notes
24 BNC-50-1-6	• 641781	U1 (RG 178 B/U)	1 A		9068	17.0 g/.595 oz.	1	
24 BNC-50-2-13	• 641731	U2 (RG 316/U)	1 A		9068	17.0 g/.595 oz.	1	
24 BNC-50-2-14	• 641783	U4 (K 02252 D)	1 A		9068	17.0 g/.595 oz.	1	
24 BNC-50-3-1	• 540378	U7 (RG 58 C/U)	2 B	19-0003	3015	17.5 g/.613 oz.	2	
24 BNC-50-3-8	• 540389	U9 (RG 223/U)	2 B	19-0004	3015	17.5 g/.613 oz.	2	

- centre contact captivated

- > SUHNER® full crimp
- > with panel seal
- > insulating washers see page 425
- > taper sleeves see page 423

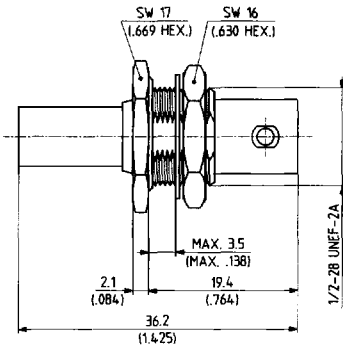


Fig. 1

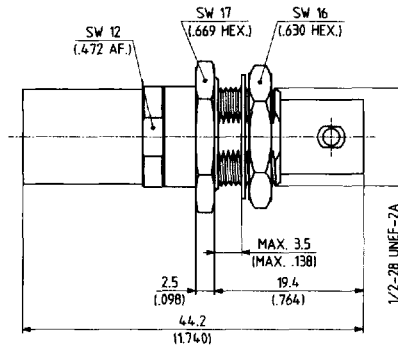
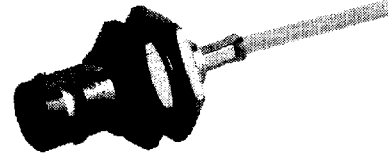
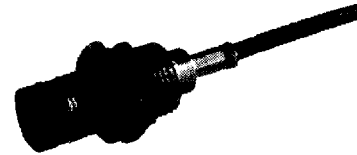
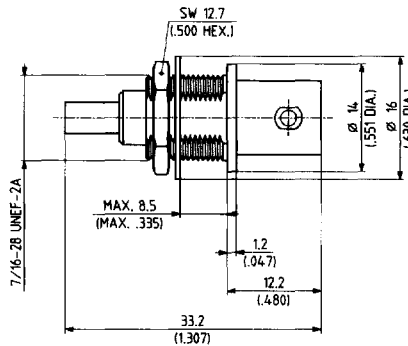


Fig. 2



SUHNER TYPE	Ident. no.	Cable group (example)	Crimp insert	Assembly instruction	Mounting hole	Weight	Fig.
24 BNC-50-4-9	• 642120	U16 (RG 59 B/U)	2 C	9098	ML 4	18.0 g/.630 oz.	1
24 BNC-50-7-3	540415	U29 (RG 213/U)	3 D	9121	ML 4	23.0 g/.805 oz.	2

- > SUHNER® full crimp
- > insulating washers see page 425
- > taper sleeves see page 423



SUHNER TYPE	Ident. no.	Cable group (example)	Crimp insert	Assembly instruction	Mounting hole	Weight	Notes
24 BNC-50-3-29	• 648682	U2 (RG 316/U)	1 A	9068	ML 3	11.7 g/.410 oz.	front mounted

- centre contact pivoted

straight panel jacks

- > cable entry clamp
- > centre contact soldered
- > fastening screws see page 424

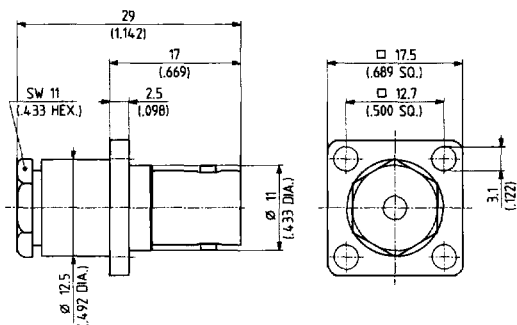
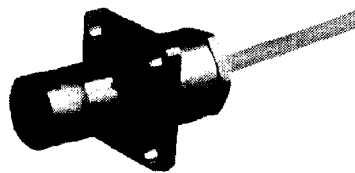


Fig. 1

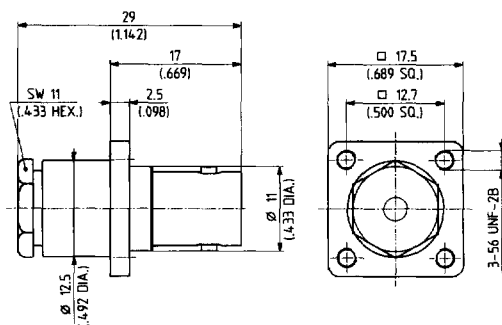
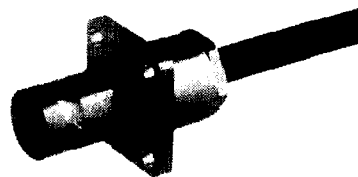
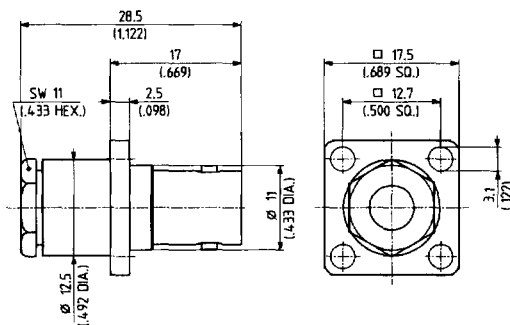


Fig. 2

SUHNER TYPE	Ident. no.	Cable group (example)	Assembly instruction	Mounting hole	Weight	Fig.	Notes
25 BNC-50-1-1	• 540417	U1 (RG 178 B/U)	3005	ML 8	19.5 g/.683 oz.	1	
25 BNC-50-2-1	• 540424	U2 (RG 316/U)	3005	ML 8	19.5 g/.683 oz.	1	
25 BNC-50-2-3	• 540429	U2 (RG 316/U)	3005	ML 8	19.5 g/.683 oz.	2	*

* mounting also possible with screws ISO M 2.5

- > cable entry clamp
- > centre contact soldered
- > fastening screws see page 424



SUHNER TYPE	Ident. no.	Cable group (example)	Assembly instruction	Mounting hole	Weight	Notes
25 BNC-50-3-12	• 540460	U7,10 (RG58C/U)	3005	ML 8	18.5 g/.648 oz.	

- centre contact captivated

- > SUHNER® full crimp
- > fastening screws see page 424
- > taper sleeves see page 423

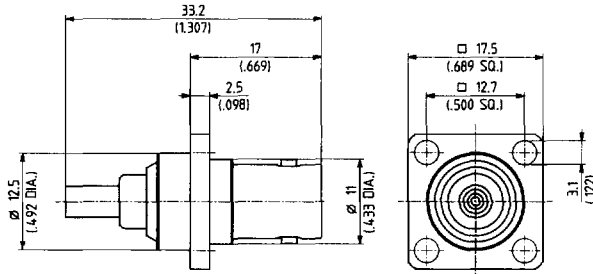
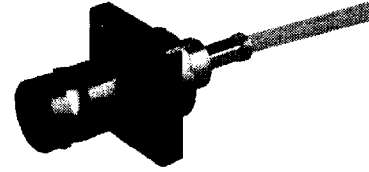


Fig. 1

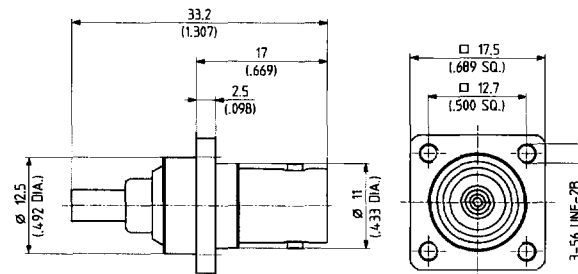


Fig. 2

SUHNER TYPE	Ident. no.	Cable group (example)	Crimp insert	Assembly instruction	Mounting hole	Weight	Fig.	Notes
25 BNC-50-1-6	• 641789	U1 (RG 178 B/U)	1 A	9068	ML 8	16.5 g/ .578 oz.	1	
25 BNC-50-2-13	• 641919	U2 (RG 316/U)	1 A	9068	ML 8	16.5 g/ .578 oz.	2	*
25 BNC-50-2-14	• 641924	U2 (RG 316/U)	1 A	9068	ML 8	16.5 g/ .578 oz.	1	
25 BNC-50-2-16	• 641795	U4 (K 02252 D)	1 A	9068	ML 8	16.5 g/ .578 oz.	1	

* mounting also possible with screws ISO M 2.5

- > SUHNER® full crimp
- > fastening screws see page 424
- > taper sleeves see page 423

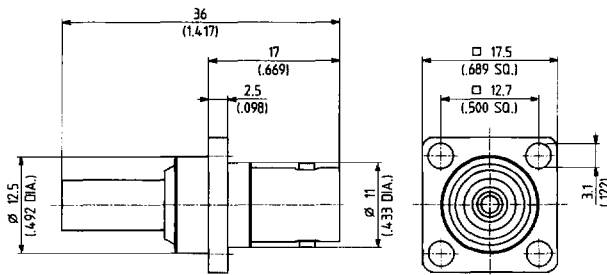
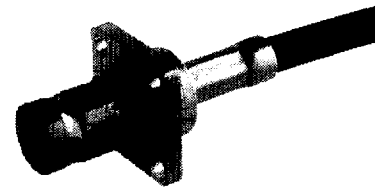


Fig. 1

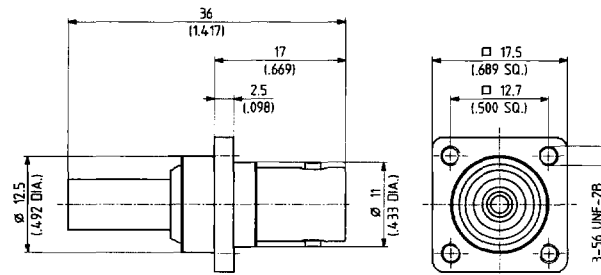


Fig. 2

SUHNER TYPE	Ident. no.	Cable group (example)	MIL M 39012/	Crimp insert	Assembly instruction	Weight	Fig.	Notes
25 BNC-50-3-2	• 540441	U7 (RG 58 C/U)		2 B	3015	17.0 g/ .595 oz.	1	
25 BNC-50-3-13	• 540463	U7 (RG 58 C/U)	18-0004	2 B	3015	17.0 g/ .595 oz.	2	*
25 BNC-50-3-17	• 540465	U9 (RG 223/U)	18-0005	2 B	3015	17.0 g/ .595 oz.	2	*

* mounting also possible with screws ISO M 2.5

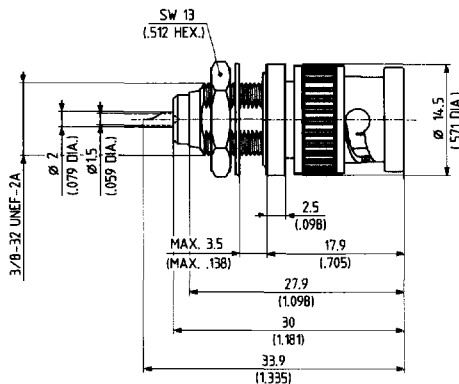
mounting hole ML 8

• centre contact captivated

Receptacles with Solder End

receptacle, male

- > bulkhead mounted
- > with panel seal
- > suitable for insulated mounting
- > insulating washers see page 425
- > solder tags see page 426



SUMNER TYPE	Ident. no.	Mounting hole	Weight	Notes
12 BNC-30-0-1	540154	ML 2	17.0 g / .595 oz.	

receptacles, female

- > bulkhead mounted
- > suitable for insulated mounting
- > insulating washers see page 425
- > solder tags see page 426

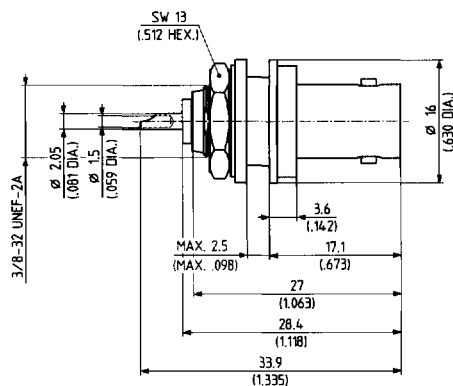


Fig. 1

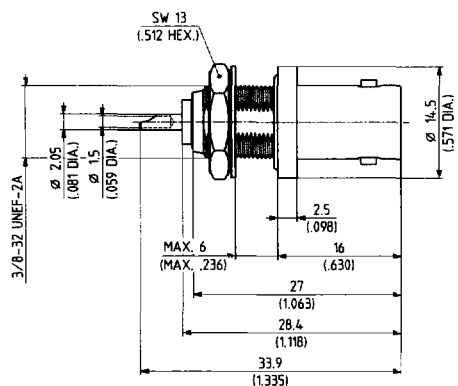


Fig. 2

SUMNER TYPE	Ident. no.	Mounting hole	Weight	Fig.	Notes
22 BNC-50-0-2	540293	ML 102	12.5 g / .438 oz.	1	insulated mounting / *
22 BNC-50-0-3	540301	ML 1	12.0 g / .420 oz.	2	with panel seal

* equipped with insulating washers 77 Z-0-0-2 (not protected against rotation)

● centre contact captivated

BNC 50

- > bulkhead mounted
- > insulating washers see page 425
- > solder tags see page 426

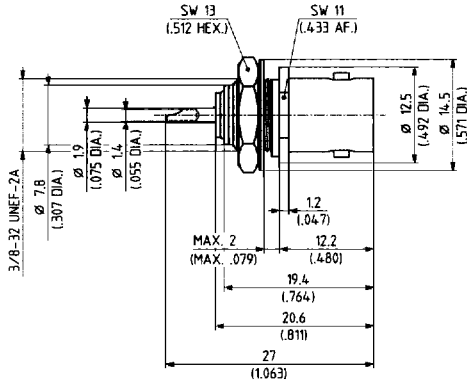


Fig. 1

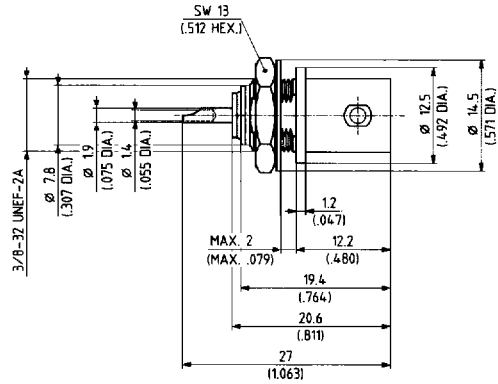


Fig. 2

SUHNER TYPE	Ident. no.	MIL M 39012/	Mounting hole	Weight	Fig.	Notes
22 BNC-50-0-4	• 540303	21-0001	ML 3	8.5 g/.298 oz.	1	not suitable for insulated mounting
22 BNC-50-0-5	• 540308		ML 2	8.5 g/.298 oz.	2	suitable for insulated mounting

- > bulkhead mounted
- > insulating washers see page 425
- > solder tags see page 426

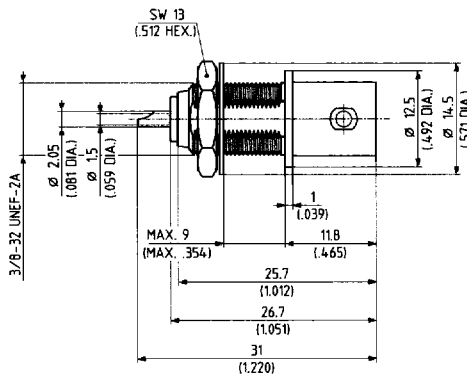


Fig. 1

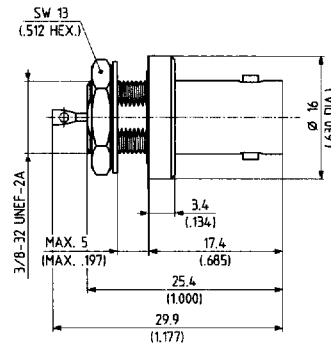


Fig. 2

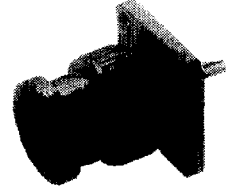
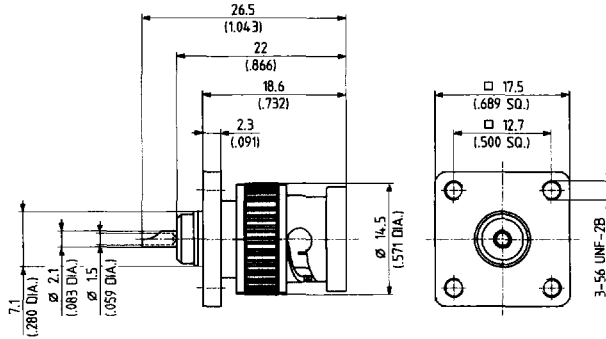
SUHNER TYPE	Ident. no.	MIL M 39012/	Mounting hole	Weight	Fig.	Notes
22 BNC-50-0-16	• 540314	21-0002	ML 2	10.0 g/.350 oz.	1	suitable for insulated mounting
22 BNC-50-0-24	• 540321		ML 2	13.5 g/.473 oz.	2	hermetically sealed/ *

* leak rate 10^{-8} Torr l/sec. (atm cc/s) max.

- centre contact captivated

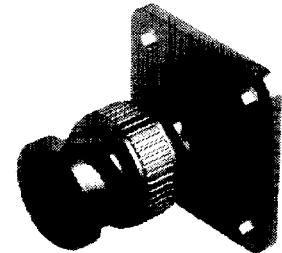
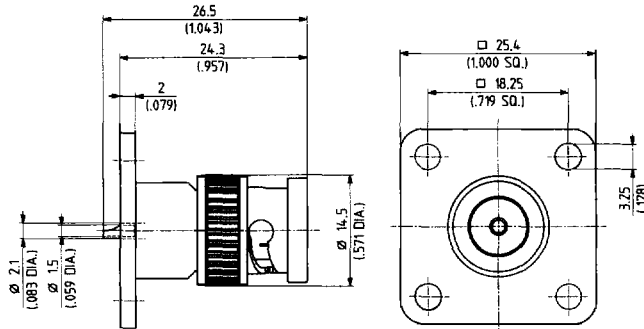
receptacles, male

- > panel mounted
- > fastening screws see page 424



SUHNER TYPE	Ident. no.	Mounting hole	Weight	Notes
13 BNC-50-0-1	• 543470	ML 6	15.5 g/.543 oz.	mounting also possible with screws ISO M 2.5

- > panel mounted
- > fastening screws see page 424



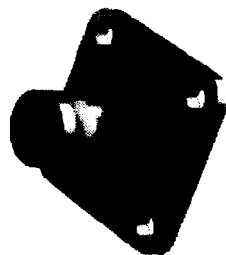
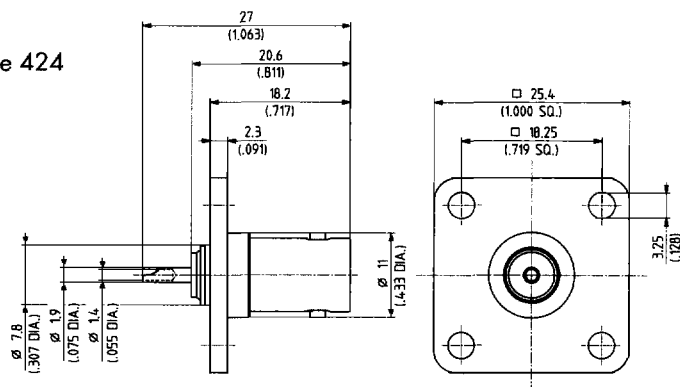
SUHNER TYPE	Ident. no.	Mounting hole	Weight	Notes
13 BNC-50-0-2	• 540160	ML 5	19.7 g/.690 oz.	suitable for SUCOBOX® applications, see page 428

- centre contact captivated

BNC 50

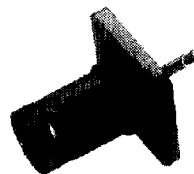
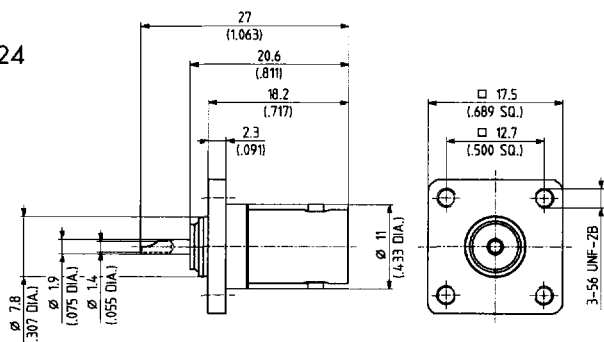
receptacles, female

- > panel mounted
- > fastening screws see page 424



SUHNER TYPE	Ident. no.	Mounting hole	Weight	Notes
23 BNC-50-0-2 •	540333	ML 5	18.0 g/.630 oz.	suitable for SUCOBOX® applications, see page 428

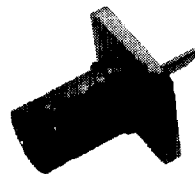
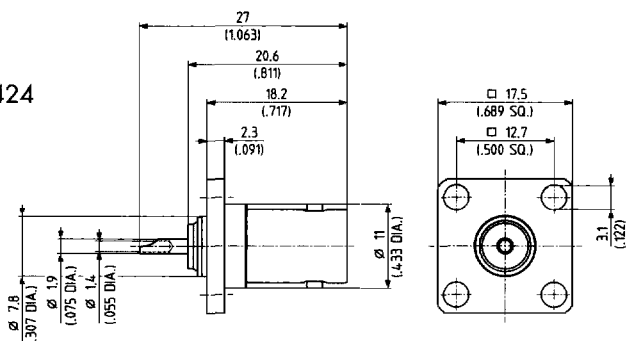
- > panel mounted
- > fastening screws see page 424



SUHNER TYPE	Ident. no.	MIL M	Mounting hole	Weight	Notes
23 BNC-50-0-12 •	540349	39012/	ML 6	11.0 g/.385 oz.	

* mounting also possible with screws ISO M 2.5

- > panel mounted
- > fastening screws see page 424



SUHNER TYPE	Ident. no.	Mounting hole	Weight	Notes
23 BNC-50-0-16 •	540355	ML 6	11.0 g/.385 oz.	

- centre contact captivated

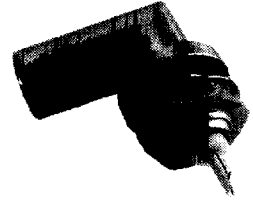
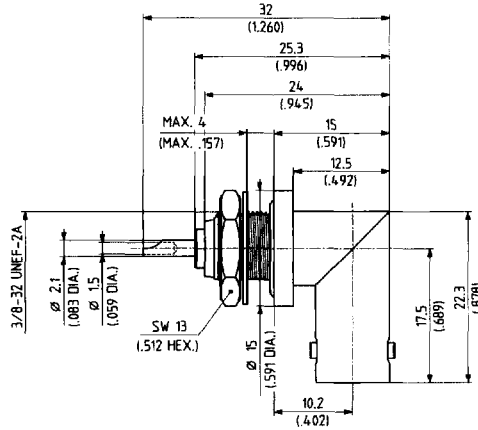
cable groups see page 36

assembly tools see page 403

mounting holes see page 441

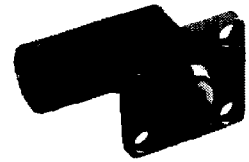
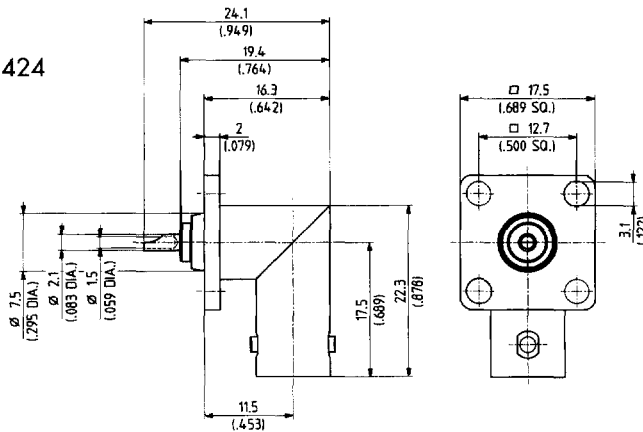
right angle receptacles, female

- > bulkhead mounted
- > with panel seal
- > suitable for insulated mounting
- > insulating washers see page 425



SUHNER TYPE	Ident. no.	MIL M	Mounting hole	Weight	Notes
27 BNC-50-0-1	• 540492	39012/ 23-0001	ML 2	17.0 g / .595 oz.	replaces UG-1098/U

- > panel mounted
- > fastening screws see page 424



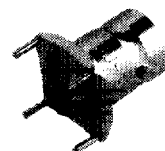
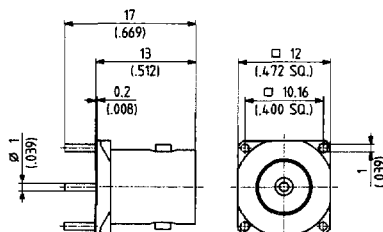
SUHNER TYPE	Ident. no.	Mounting hole	Weight	Notes
28 BNC-50-0-2	• 540500	ML 6	15.0 g / .525 oz.	

- centre contact captivated

BNC 50

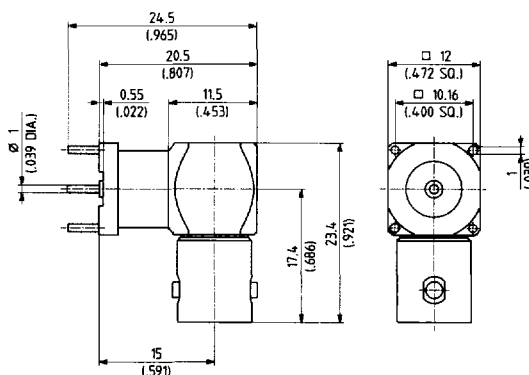
PCB Connectors

straight PCB jack



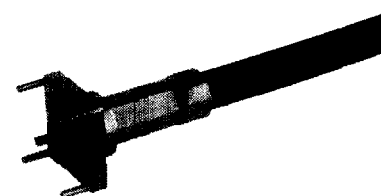
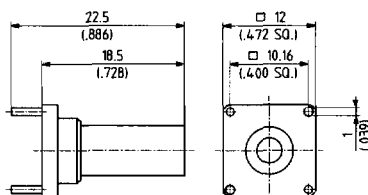
SUHNER TYPE	Ident. no.	Mounting hole	Weight	Notes
82 BNC-50-0-1	543974	ML 49	7.0 g/.245 oz.	100 pcs. package

right angle PCB jack



SUHNER TYPE	Ident. no.	Mounting hole	Weight	Notes
85 BNC-50-0-1	540736	ML 49	19.0 g/.665 oz.	

straight PCB cable terminators



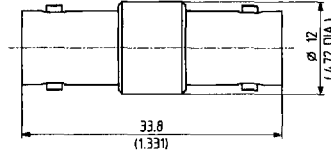
SUHNER TYPE	Ident. no.	Cable group (example)	Crimp insert	Assembly instruction	Mounting hole	Weight	Notes
83 BNC-0-3-1	540725	U7 (RG 58 C/U)	B	3060	ML 49	6.0 g/.210 oz.	
83 BNC-0-3-3	540728	U9 (RG 223/U)	B	3060	ML 49	6.0 g/.210 oz.	

• centre contact captivated

Adapters Within-Series

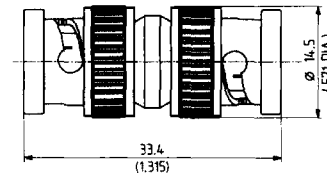
straight adaptors

> jack to jack



SUHNER TYPE	Ident. no.	MIL M 55339/	VSWR DC - 4 GHz	Weight	Notes
31 BNC-50-0-1	• 540540	16-00914	$\leq 1.06 + 0.04 f$	13.5 g/.473 oz.	replaces UG-914/U

> plug to plug



SUHNER TYPE	Ident. no.	MIL M 55339/	VSWR DC - 4 GHz	Weight	Notes
32 BNC-50-0-1	• 540565	15-00491	$\leq 1.06 + 0.04 f$	20.0 g/.700 oz.	replaces UG-491/U

> jack to jack

> bulkhead mounted

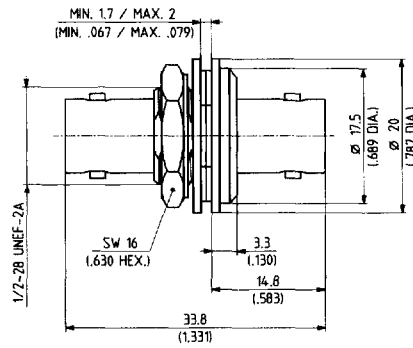
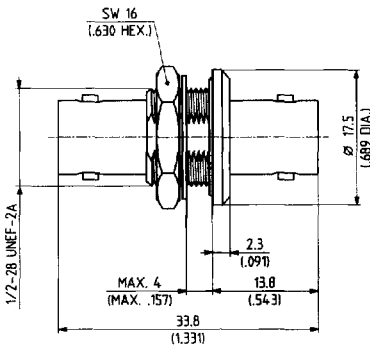


Fig. 1

Fig. 2



SUHNER TYPE	Ident. no.	Mounting hole	VSWR DC - 1.5 GHz	1.5 - 4 GHz	Weight	Fig.	Notes
34 BNC-50-0-1	• 540627	M4	≤ 1.04	$\leq 1.00 + 0.10 f$	18.5 g/.648 oz.	1	with panel seal**
34 BNC-50-0-2	• 540629	M22	≤ 1.04	$\leq 1.10 + 0.06 f$	19.0 g/.665 oz.	2	for insulated mounting / *

* equipped with insulating washers 77 Z-0-0-12 (protected against rotation)

**MIL M 55339/13-00001

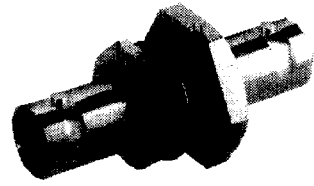
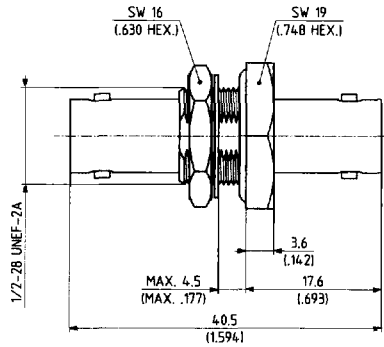
• centre contact captivated

cable groups see pages 36

assembly tools see page 403

mounting holes see page 441

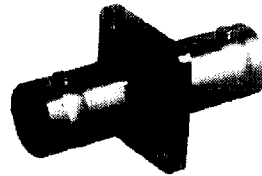
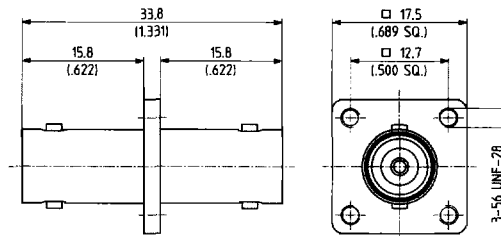
- > jack to jack
- > bulkhead mounted
- > hermetically sealed



SUHNER TYPE	Ident. no.	MIL M 55339/	Mounting hole	VSWR DC – 4 GHz	Weight
34 BNC-50-0-6	540631	13-00492	ML 4	≤ 1.90	24.5 g/ .858 oz.

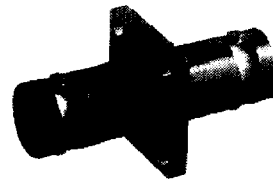
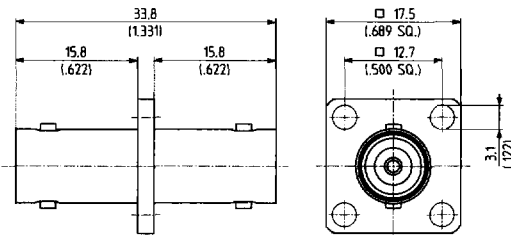
leak rate 10^{-6} Torr l/sec. (atm cc/s) max.

- > jack to jack
- > panel mounted
- > fastening screws see page 424



SUHNER TYPE	Ident. no.	Mounting hole	VSWR DC – 4 GHz	Weight
37 BNC-50-0-1	540635	ML 10	≤ 1.08	14.5 g/ .508 oz.

- > jack to jack
- > panel mounted
- > fastening screws see page 424



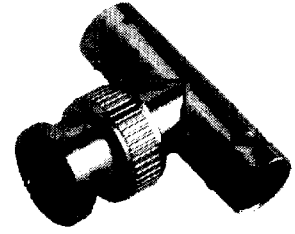
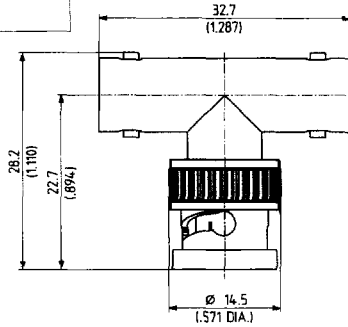
SUHNER TYPE	Ident. no.	Mounting hole	VSWR DC – 4 GHz	Weight
37 BNC-50-0-2	540638	ML 10	≤ 1.08	14.0 g/ .490 oz.

- centre contact captivated

T-adaptors

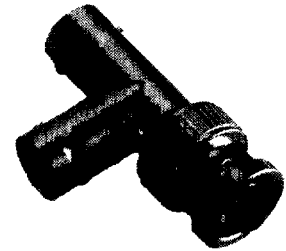
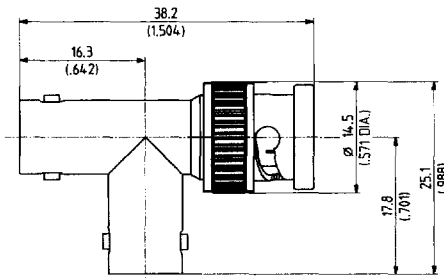
50 Ω nominal impedance. These connectors are non-matched 3 dB dividers for LF applications. VSWR ≥ 2.0 when terminated with 50 Ω.

< 2 jacks, 1 plug



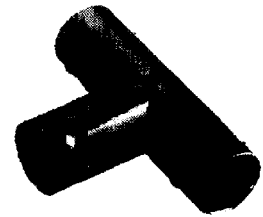
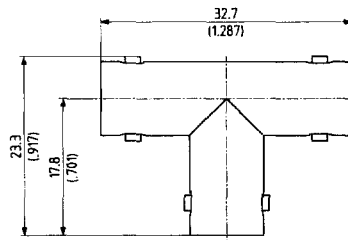
SUHNER TYPE	Ident. no.	MIL M 55339/	Weight	Notes
43 BNC-50-0-1	• 540644	17-00274	19.5 g/.683 oz.	replaces UG-274/U

< 2 jacks, 1 plug



SUHNER TYPE	Ident. no.	Weight	Notes
45 BNC-50-0-1	• 540647	19.5 g/.683 oz.	

< 3 jacks

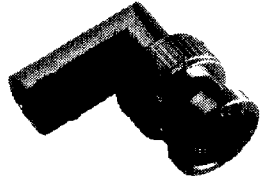
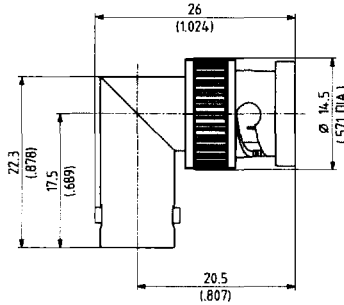


SUHNER TYPE	Ident. no.	Weight	Notes
46 BNC-50-0-1	• 540649	13.0 g/.455 oz	

• centre contact captivated

right angle adaptor

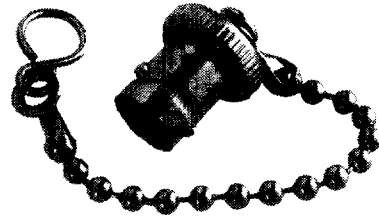
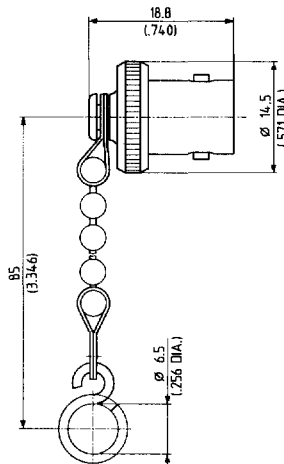
> plug to jack



SUHNER TYPE	Ident. no.	MIL M 55339/	VSWR: DC – 4 GHz	Weight	Notes
53 BNC-50-0-1	• 540657	14-00306	$\leq 1.06 + 0.04 f$	16.5 g / .578 oz.	replaces UG-306/U

Protective Caps and Shorts

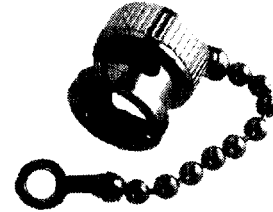
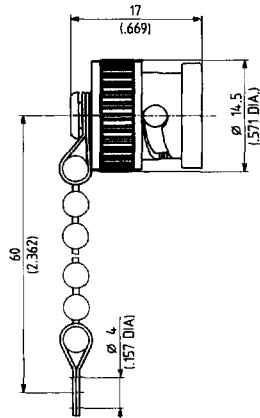
> protective cap for plugs



SUHNER TYPE	Ident. no.	MIL M 55339/	Weight	Notes
61 BNC-0-0-1	540660	25-0008	9.0 g / .315 oz.	replaces CW 282/U with chain and loop

• centre contact captivated

> for jacks



SUHNER TYPE	Ident. no.	MIL M 55339/	Weight	Notes
62 BNC-0-0-1	540666	25-0006	8.5 g/.298 oz.	protective cap, replaces CW 123/U
64 BNC-50-0-1	540681	25-0016	10.5 g/.368 oz.	short circuit

> protective caps for jacks

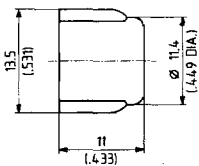


Fig. 1

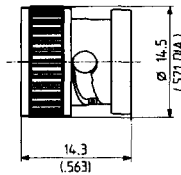
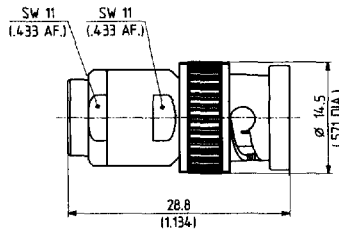


Fig. 2



SUHNER TYPE	Ident. no.	MIL M 55339/	Weight	Fig.	Notes
62 BNC-0-0-2	540667		0.4 g/.014 oz.	1	made of plastic
62 BNC-0-0-3	540669	25-0015	6.5 g/.228 oz.	2	replaces CW 155/U

> shorting plug



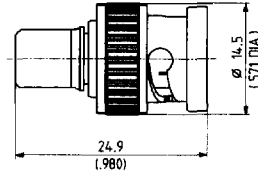
SUHNER TYPE	Ident. no.	Weight	Notes
64 BNC-50-0-4	540686	19.0 g/.665 oz.	without chain

BNC 50

Terminations

plug

0.5 Watt, DC – 1 GHz



SUHNER TYPE	Ident. no.	Impedance	VSWR 300 MHz	1 GHz	Power ²⁾	Weight
65 BNC-50-0-7	550235	50Ω ± 1.0Ω	≤ 1.05	≤ 1.1	0.5 Watt	12.0 g / .420 oz.

plugs

1 Watt, DC – 2 GHz

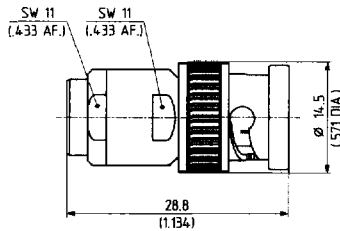


Fig. 1

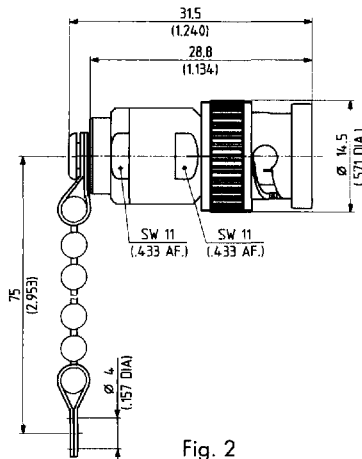
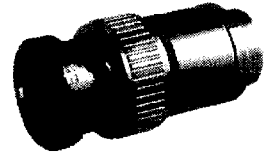


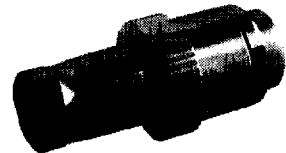
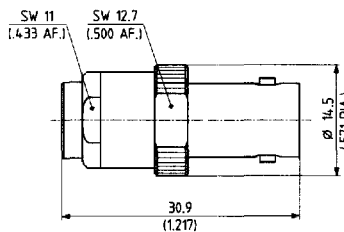
Fig. 2



SUHNER TYPE	Ident. no.	Impedance	VSWR			Power ¹⁾	Weight	Fig.
			1 GHz	1.5 GHz	2. GHz			
65 BNC-50-0-1	550004	50Ω ± 1.0Ω	≤ 1.05	≤ 1.1	≤ 1.2	1 Watt 2 kW peak ³⁾	14.0 g / .490 oz.	1
65 BNC-50-0-2	550141	50Ω ± 1.0Ω	≤ 1.05	≤ 1.1	≤ 1.2	1 Watt 2 kW peak ³⁾	16.0 g / .560 oz.	2

jack

1 Watt, DC – 2 GHz



SUHNER TYPE	Ident. no.	Impedance	VSWR			Power ¹⁾	Weight
			1 GHz	1.5 GHz	2. GHz		
65 BNC-50-0-31	550010	50Ω ± 1.0Ω	≤ 1.05	≤ 1.1	≤ 1.2	1 Watt 2 kW peak ³⁾	16.0 g / .560 oz.

1) at max. 30°C / 86°F ambient temperature, derated linearly to zero power at 130°C / 266°F

2) continuous power at max. 70°C / 158°F ambient temperature, derated linearly to zero power at 130°C / 266°F

3) pulsed power with a duration of ≤ 10 ns, rise time ≥ 5 ns