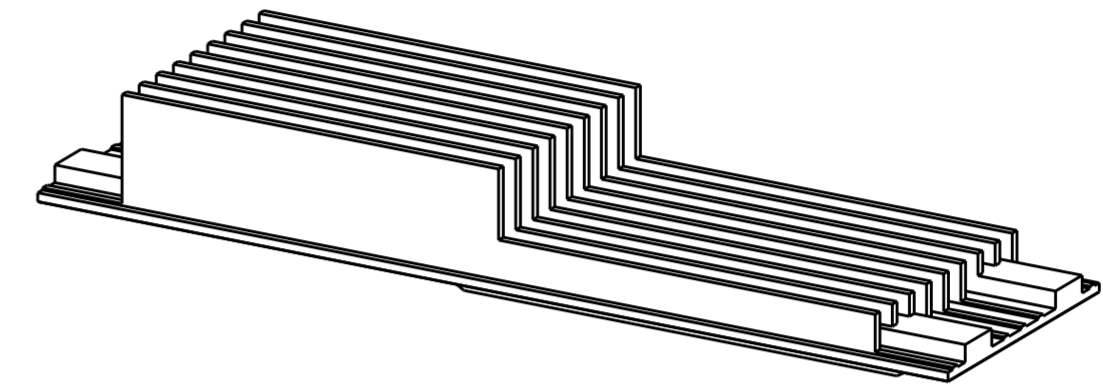
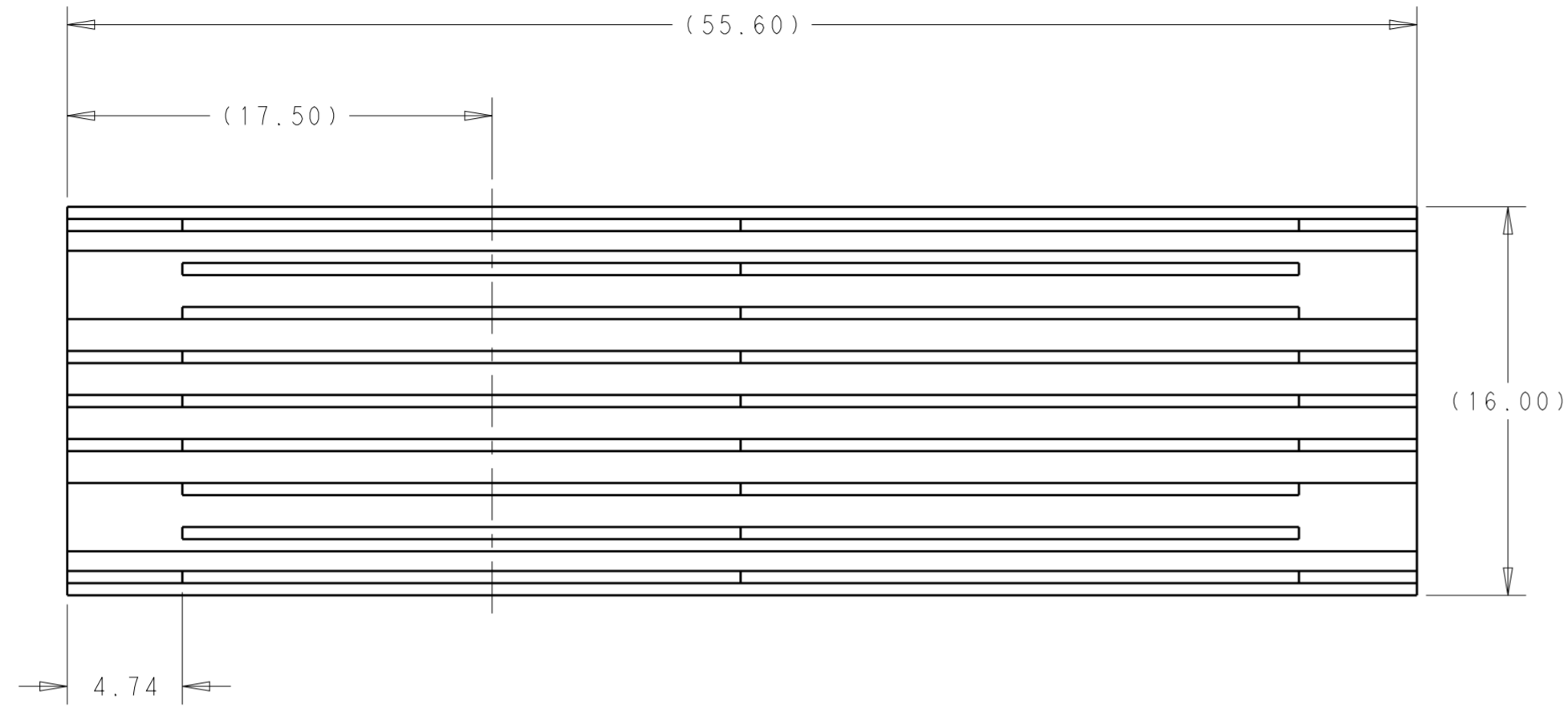
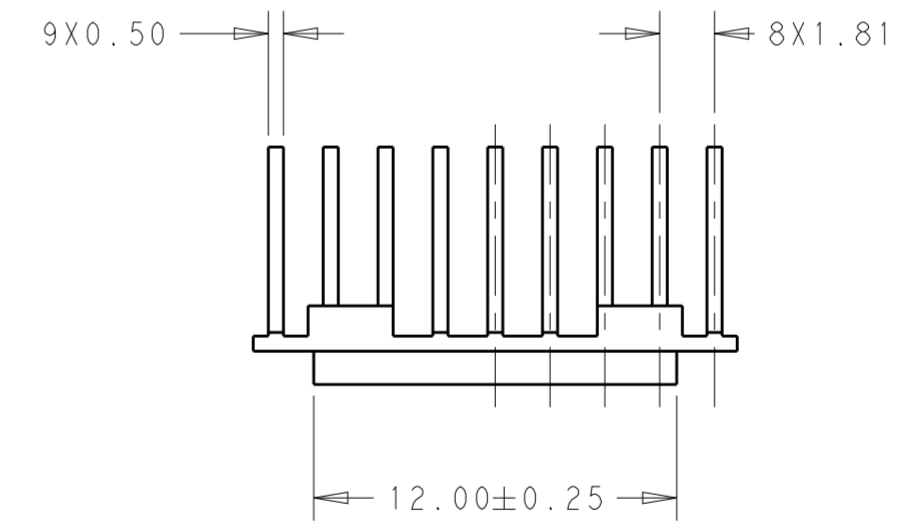
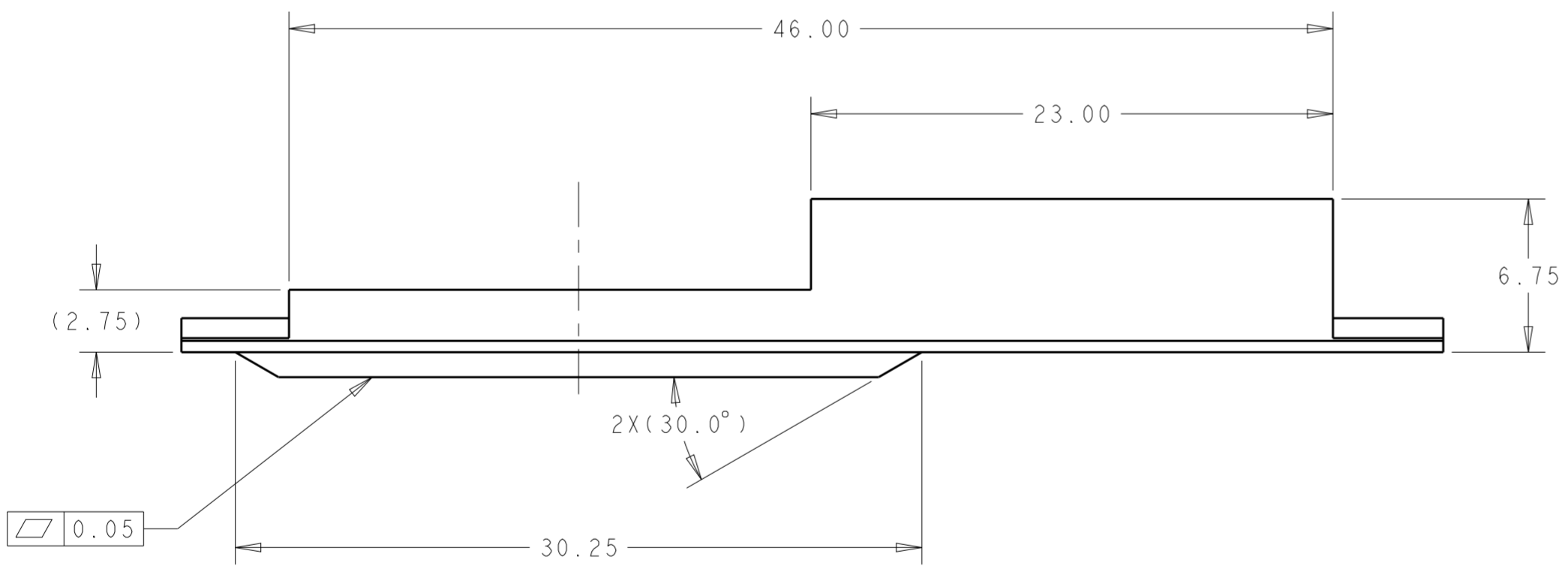


THIS DRAWING IS UNPUBLISHED. RELEASED FOR PUBLICATION 20
 © COPYRIGHT 20 BY - ALL RIGHTS RESERVED.

| REVISIONS | | | | | |
|-----------|-----|---------------------------|-----------|-----|------|
| P | LTR | DESCRIPTION | DATE | DWN | APVD |
| A | | INITIAL RELEASE | 13MAR2017 | LL | SH |
| B | | REVISED PER ECO-17-012282 | 22AUG2017 | TX | SH |
| C | | REVISED PER ECO-18-005125 | 02APR2018 | TX | SH |



1-2304280-3
SCALE 5:2



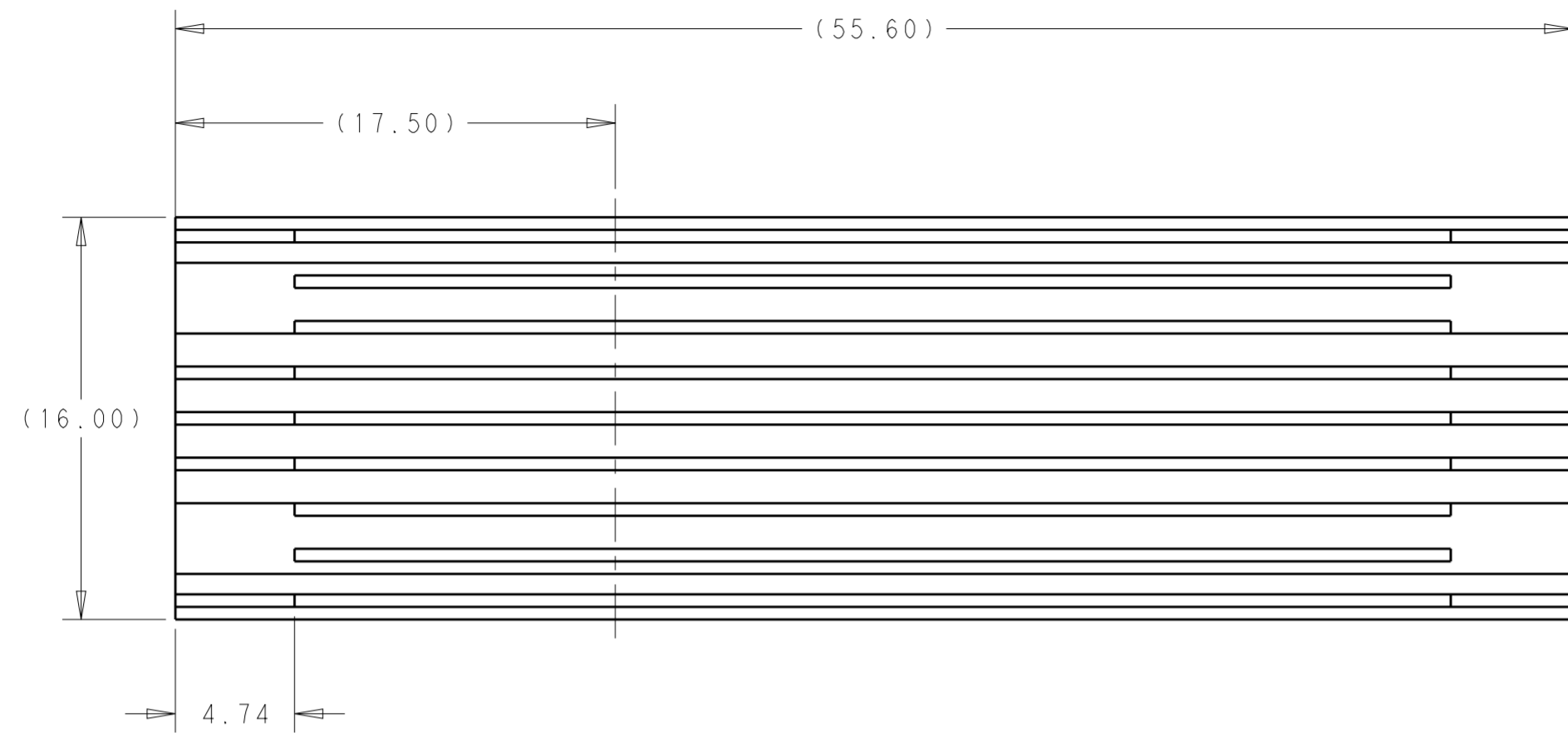
- NOTES:
1. INTERPRET DRAWING PER ASME Y14.5M-1994.
 2. FINISH: ELECTROLESS NICKEL
 3. FINISH: ANODIZED BLACK
 4. 0.2mm MAX BURR PERMISSIBLE.
 5. VARIATION IN PLATING COLOR IS NORMAL AND ALLOWED

| | |
|--------|-------------|
| 3 | 1-2304280-3 |
| FINISH | PART NUMBER |

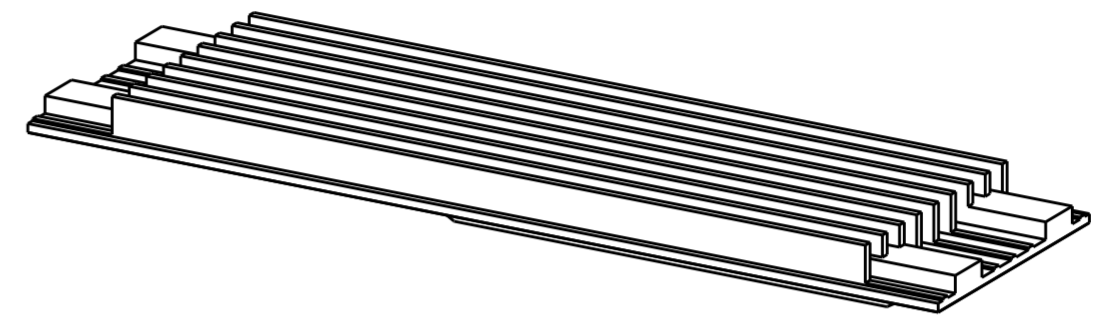
| | | | | |
|--|--|-------------------------|----------------------------|--------------|
| THIS DRAWING IS A CONTROLLED DOCUMENT. | | DWN LEO LI 09NOV2016 | STE TE Connectivity | |
| | | CHK SEAN HAN 09NOV2016 | | |
| DIMENSIONS: mm | | APVD SEAN HAN 09NOV2016 | NAME ZQSFP+ HEAT SINK | |
| TOLERANCES UNLESS OTHERWISE SPECIFIED: | | PRODUCT SPEC | - | |
| 0 PLC ± | | APPLICATION SPEC | - | |
| 1 PLC ±0.3 | | WEIGHT | - | |
| 2 PLC ±0.25 | | SIZE | A200779 | C-2304280 |
| 3 PLC ±0.1 | | RESTRICTED TO | - | |
| 4 PLC ± | | SCALE | 4:1 | SHEET 1 OF 2 |
| ANGLES ± | | REV | C | |
| FINISH | | CUSTOMER DRAWING | | |

THIS DRAWING IS UNPUBLISHED. RELEASED FOR PUBLICATION 20
 © COPYRIGHT 20 BY - ALL RIGHTS RESERVED.

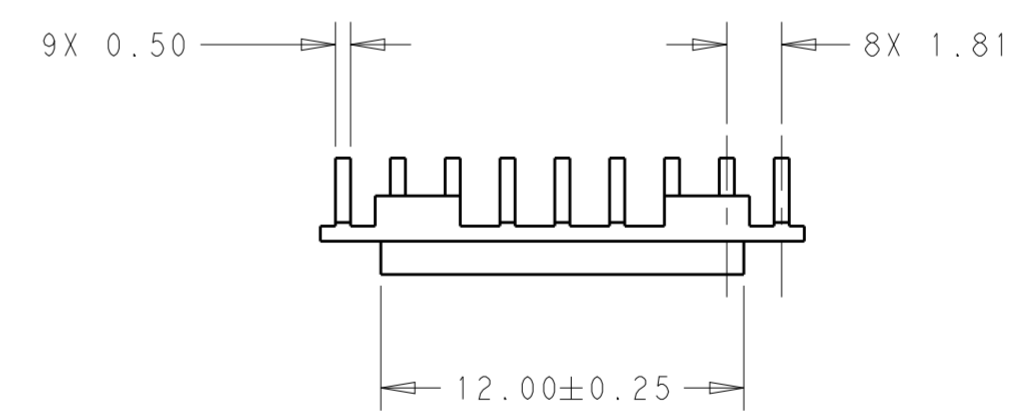
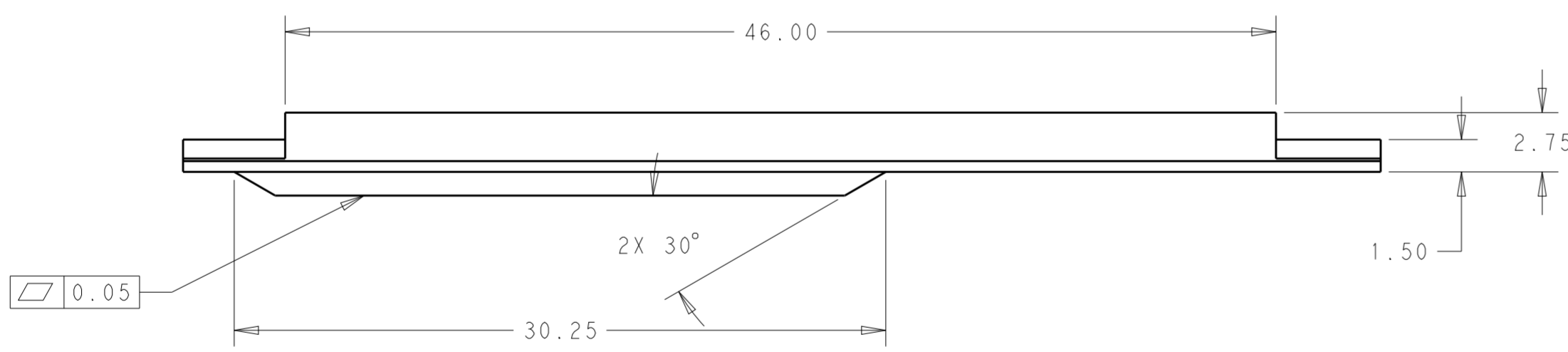
| REVISIONS | | | | |
|-----------|-----|-------------|------|------|
| P | LTR | DESCRIPTION | DATE | APVD |
| - | | SEE SHEET 1 | - | - |
| | | | | |
| | | | | |



SCALE 4:1



1-2304280-4
SCALE 5:2



| | |
|--------|-------------|
| | 1-2304280-4 |
| FINISH | PART NUMBER |

| | | | | |
|--|--|-------------------------|-----------------------|---------------|
| THIS DRAWING IS A CONTROLLED DOCUMENT. | | DWN LEO LI 09NOV2016 | TE Connectivity | |
| | | CHK SEAN HAN 09NOV2016 | | |
| | | APVD SEAN HAN 09NOV2016 | NAME ZQSFP+ HEAT SINK | |
| DIMENSIONS: mm | | PRODUCT SPEC | | SIZE |
| TOLERANCES UNLESS OTHERWISE SPECIFIED: | | APPLICATION SPEC | | CAGE CODE |
| 0 PLC ± | | WEIGHT | | DRAWING NO |
| 1 PLC ±0.3 | | CUSTOMER DRAWING | | RESTRICTED TO |
| 2 PLC ±0.25 | | SCALE 4:1 | | SHEET 2 OF 2 |
| 3 PLC ±0.1 | | SHEET 2 OF 2 | | REV C |
| 4 PLC ± | | SCALE 4:1 | | REV C |
| ANGLES ± | | SCALE 4:1 | | REV C |
| FINISH | | SCALE 4:1 | | REV C |
| MATERIAL TBD | | SCALE 4:1 | | REV C |
| material_2 | | SCALE 4:1 | | REV C |
| finish_spec_2 | | SCALE 4:1 | | REV C |