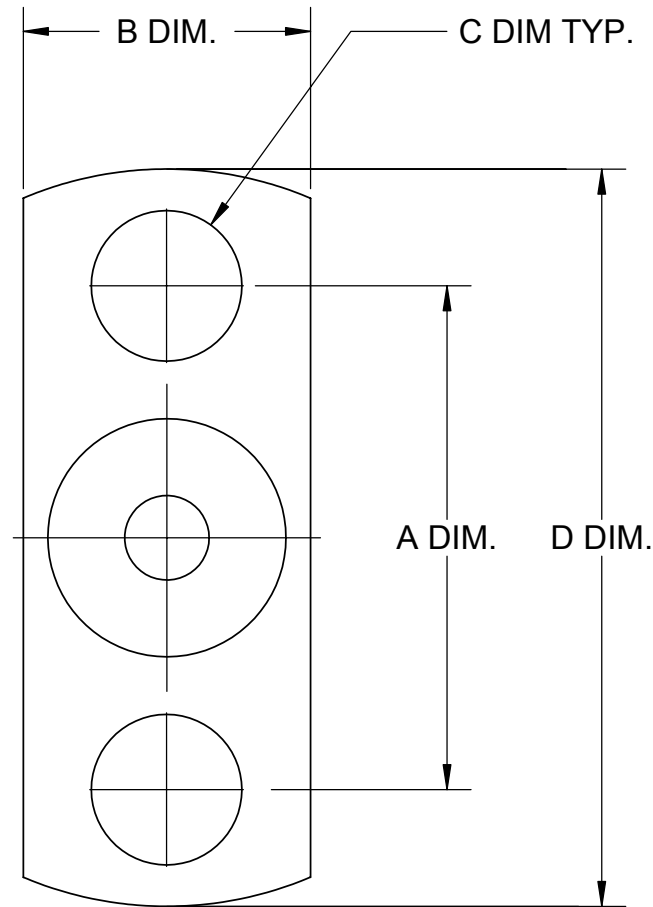
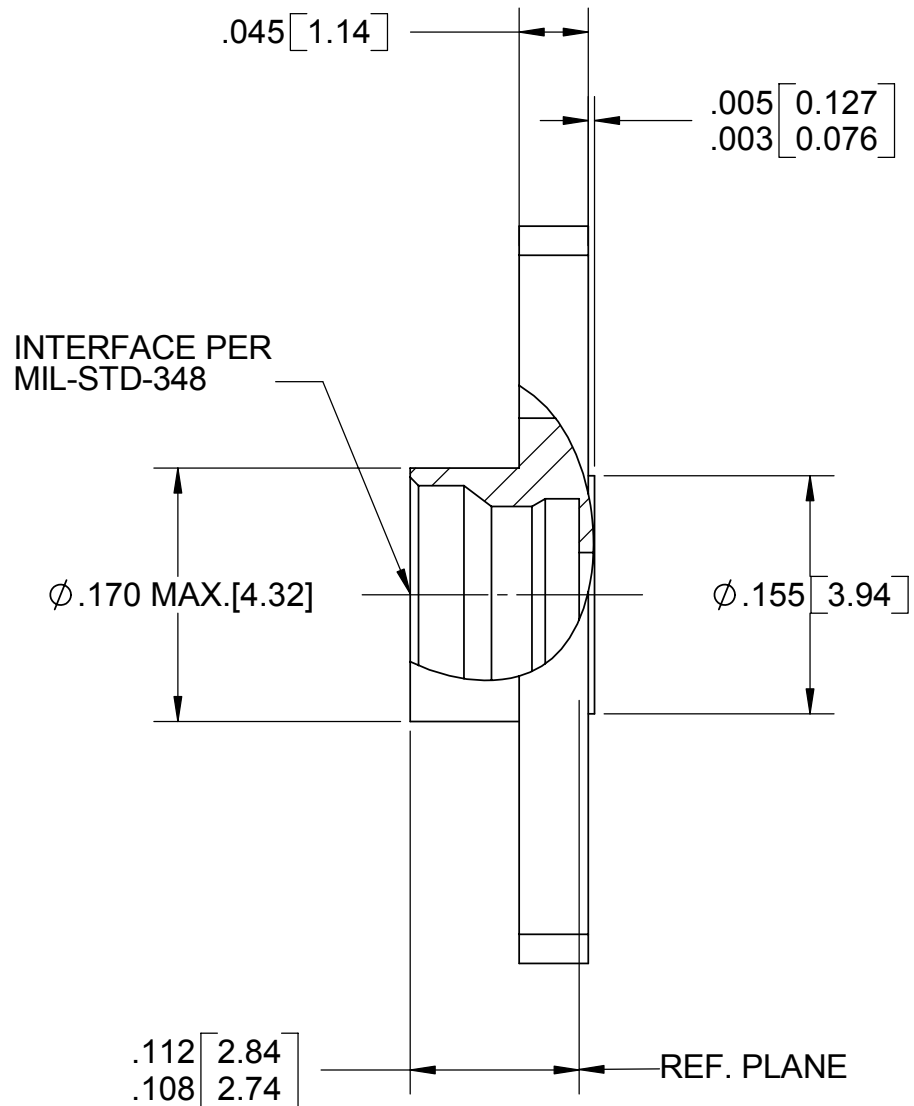


PRODUCT DATA DRAWING

REVISION HISTORY			
REV	DESCRIPTION	DATE	APPROVED
-	REL. NRN 31386	05/14/04	STW
A	REVE. DCN 32243	10/22/04	STW
B	REV. DCN 32550	01/20/01	STW



PART NUMBER	DSCC P/N	DETENT	A DIM	B DIM	C DIM	D DIM
SF1254-6000	94007ZSP-3	FULL	.328 [8.33]	.187 [4.75]	.098 [2.49]	.480 [12.19]
SF1254-6001	94007ZSP-3L	LIMITED	.328 [8.33]	.187 [4.75]	.098 [2.49]	.480 [12.19]
SF1254-6003	94007ZSP-4	FULL	.481 [12.22]	.223 [5.66]	.102 [2.59]	.625 [15.88]
SF1254-6004	94007ZSP-4L	LIMITED	.481 [12.22]	.223 [5.66]	.102 [2.59]	.625 [15.88]
SF1254-6006	94007ZSP-5	FULL	.282 [7.16]	.165 [4.19]	.073 [1.85]	.400 [10.16]
SF1254-6007	94007ZSP-5L	LIMITED	.282 [7.16]	.165 [4.19]	.073 [1.85]	.400 [10.16]

MATERIAL: STAINLESS STEEL PER AMS 5640.

FINISH: PASSIVATED PER AMS-QQ-P-35.

DIMENSIONS ARE IN INCHES WITH METRIC EQUIVALENTS IN [].

MATERIAL: PER BOM	DIMENSIONS ARE IN INCHES TOLERANCES: FRACTIONAL: ±1/64 ANGULAR: X° ±1'0" X*X' ±15'	UNLESS OTHERWISE SPECIFIED 1) ALL DIMENSIONS ARE AFTER PLATING. 2) BREAK CORNERS & EDGES .005 R. MAX. 3) CHAM. 1ST & LAST THREADS. 4) SURFACE ROUGHNESS 63 √ MIL-STD-10. 5) DIA.'S ON COMMON CENTERS TO BE CONCENTRIC WITHIN .004 T.I.R. 6) REMOVE ALL BURRS	SV Microwave, Inc. 2400 Centrepark West Drive, Suite 100 West Palm Beach, FL 33409 TITLE: SMP SHROUD WITH DETENT
FINISH: PER BOM	DECIMAL: X ±.030 .XX ±.010 .XXX ±.005	INTERPRET DIMENSIONS AND TOLERANCES PER ASME Y14.5M - 1994	
PROPRIETARY THE INFORMATION CONTAINED IN THIS DRAWING IS THE SOLE PROPERTY OF SV MICROWAVE, INC. ANY REPRODUCTION IN PART OR AS A WHOLE WITHOUT THE WRITTEN PERMISSION OF SV MICROWAVE, INC IS PROHIBITED.	THIRD ANGLE PROJECTION	DRAWN: JMC 05/03/04	SIZE: B CAGE CODE: 95077 DWG. NO. SF1254-600X
		CHECKED: STW 05/14/04	SCALE: 1:0.2
		APPROVED: STW 05/14/04	E.M. SIMULATION: N/A