

August 1995

**DESCRIPTION**

The SSI 32D4680 Time Base Generator provides a programmable reference generator for constant density recording applications. It is optimized to operate with the SSI 32P4782/4782A Read Channel Device for a high data rate (20 - 90 Mbit/s) Hard Disk Drive.

The SSI 32D4680 contains a high performance programmable PLL for 1% reference frequency control. A serial microprocessor interface reduces pin count and provides convenient access to the internal program storage registers. The SSI 32D4680 only requires a +5V supply and is available in 16-Lead SO package(s).

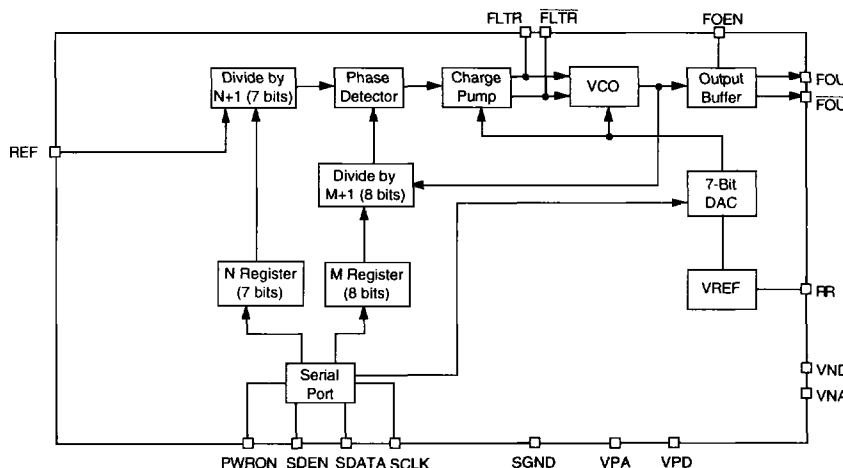
The SSI 32D4680 utilizes an advanced BiCMOS process technology along with advanced circuit design techniques, such as the patented "Time Based Data Separator Zone Change Sequence" circuits, resulting in a high performance device with low power consumption.

**FEATURES**

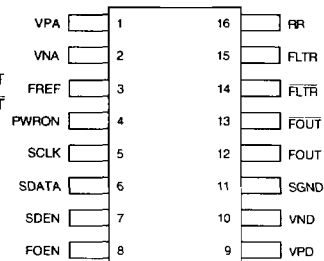
- For constant density recording applications when utilized with SSI 32P4782/4782A
- Reference frequency control
- Up to 140 MHz operation
- 1% frequency resolution
- No external active components required
- +5V only operation
- 16-Lead SO package

4

**BLOCK DIAGRAM**



**PIN DIAGRAM**



**16-Lead SON**

CAUTION: Use handling procedures necessary for a static sensitive component.

# SSI 32D4680

## 140 MHz Time Base Generator

---

---

No responsibility is assumed by Silicon Systems for use of this product nor for any infringements of patents and trademarks or other rights of third parties resulting from its use. No license is granted under any patents, patent rights or trademarks of Silicon Systems. Silicon Systems reserves the right to make changes in specifications at any time without notice. Accordingly, the reader is cautioned to verify that the data sheet is current before placing orders.

Silicon Systems, Inc., 14351 Myford Road, Tustin, CA 92680-7022 (714) 573-6000, FAX (714) 573-6914

---