

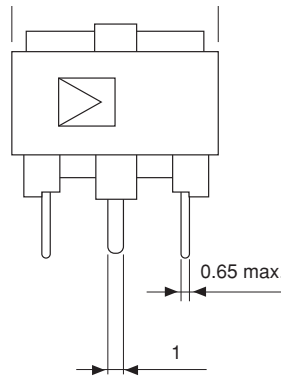
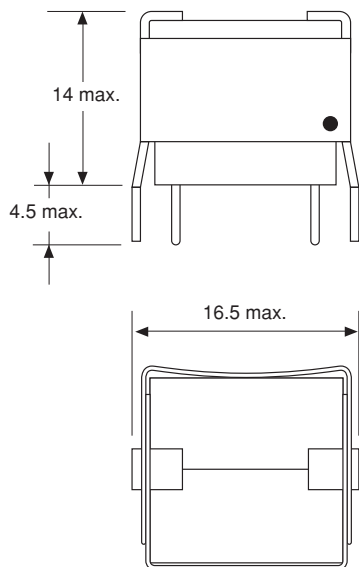
Line Transformers



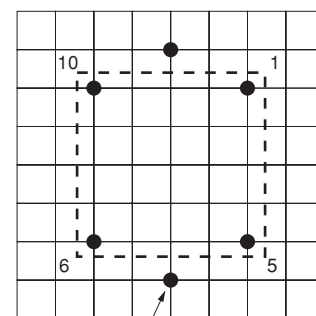
FEATURES

- TLP13 transformers are designed for telecom line matching and isolation or modems V22 standard
- They conform to EN 41003 regulations

DIMENSIONS in millimeters

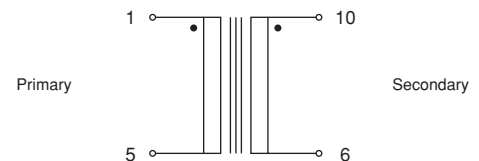


CONFIGURATION (TOP VIEW)



2.54 mm pitch

ELECTRICAL DIAGRAM



MECHANICAL SPECIFICATIONS

Ferrite	EP13 4 pins
Configuration	2.54mm pitch
Unit Weight	9g

CLIMATIC SPECIFICATIONS

Temperature Range Shelf	- 20°C + 105°C
Working	- 20°C + 85°C

MARKING

Print marked: manufacturer, series, model, manufacturing date (code), pin 1.

PACKAGING

50 pieces in a sectioned box.

ELECTRICAL SPECIFICATIONS

Dielectric Strength 4000VRMS

	TLP13-600	TLP13-300	TLP13-150
Output/Input Ratio S/P	1	0.707	0.5
Impedance Ratio	600/600	600/300	600/150
Minimum Primary Inductance	1.5H	1.5H	1.5H
Primary Inductance	60Ω	60Ω	60Ω
Secondary Inductance	60Ω	25Ω	14Ω
Leakage Inductance	10mH	10mH	10mH

Other values on request

ORDERING INFORMATION

TLP13	600
SERIES	MODEL