

SN65512B, SN75512B VACUUM FLUORESCENT DISPLAY DRIVERS

SLDS016A – DECEMBER 1985 – REVISED OCTOBER 1989

- Each Device Drives 12 Lines
- 60-V Output Voltage Swing Capability
- 25-mA Output Source Current Capability
- High-Speed Serially-Shifted Data Input
- TTL-Compatible Inputs
- Latches on All Driver Outputs

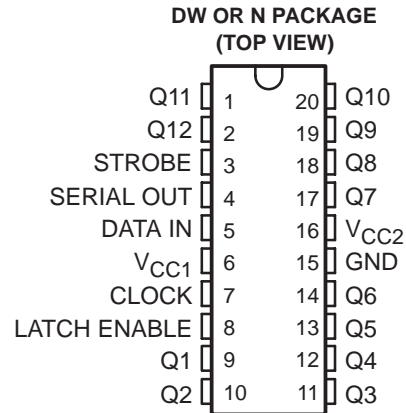
description

The SN65512B and SN75512B are monolithic BIDFET† integrated circuits designed to drive a dot matrix or segmented vacuum fluorescent display.

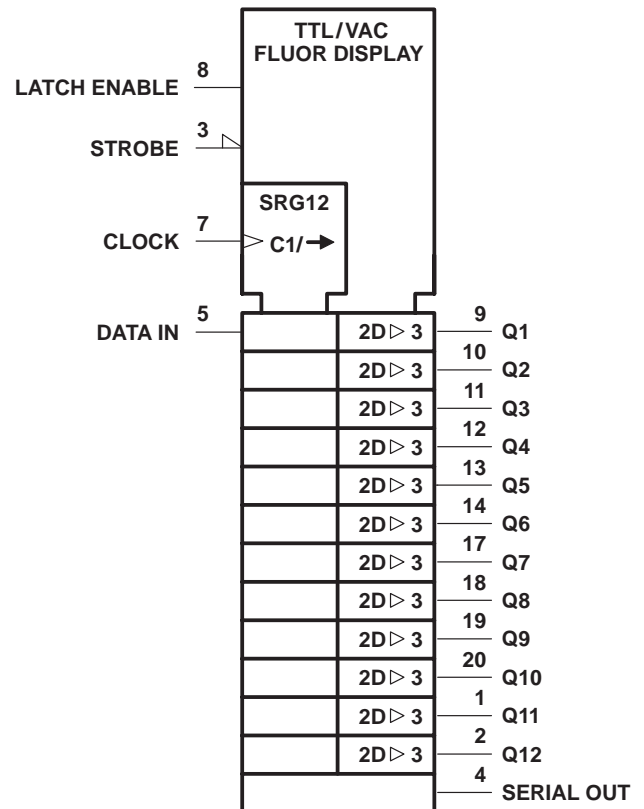
All device inputs are diode-clamped pnp inputs and assume a high logic level when open circuited. The nominal input threshold voltage is 1.5 V. Outputs are totem-pole structures formed by an npn emitter-follower and double-diffused MOS (DMOS) transistors.

The device consists of a 12-bit shift register, 12 latches, and 12 output AND gates. Serial data is entered into the shift register on the low-to-high transition of CLOCK. When high, LATCH ENABLE transfers the shift register contents to the outputs of the 12 latches. The active-low STROBE input enables all Q outputs. Serial data output from the shift register can be used to cascade shift registers. This output is not affected by LATCH ENABLE or STROBE.

The SN65512B is characterized for operation from -40°C to 85°C. The SN75512B is characterized for operation from 0°C to 70°C.



logic symbol‡



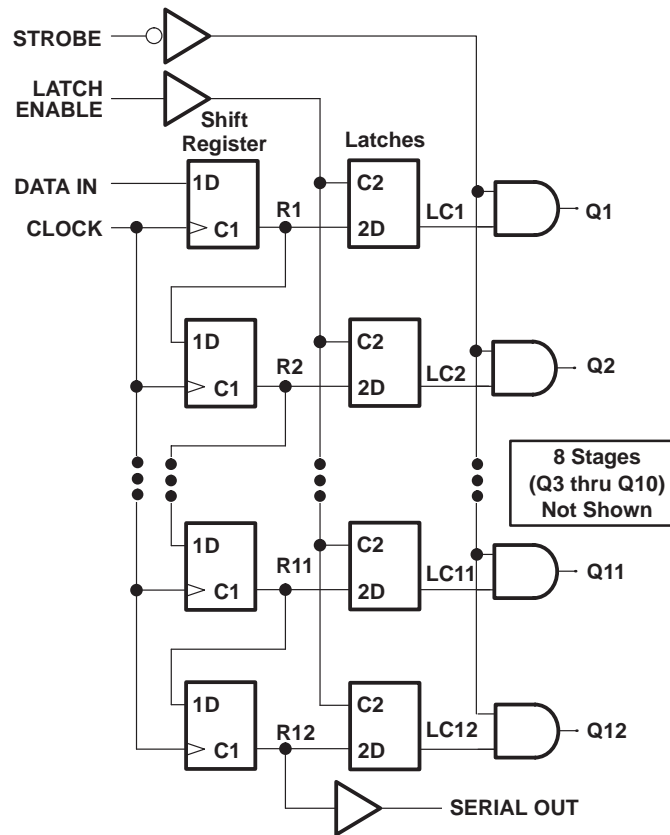
‡ This symbol is in accordance with ANSI/IEEE Std 91-1984 and IEC Publication 617-12.

† BIDFET – Bipolar, double-diffused, N-channel and P-channel MOS transistors on same chip. This is a patented process.

SN65512B, SN75512B VACUUM FLUORESCENT DISPLAY DRIVERS

SLDS016A – DECEMBER 1985 – REVISED OCTOBER 1989

logic diagram (positive logic)



FUNCTION TABLE

FUNCTION	CONTROL INPUTS			SHIFT REGISTER R1 THRU R12	LATCHES LC1 THRU LC12	OUTPUTS	
	CLOCK	LATCH ENABLE	STROBE			SERIAL	Q1 THRU Q12
Load	↑ No ↑	X	X	Load and shift† No change	Determined by LATCH ENABLE‡	R12	Determined by STROBE
Latch	X	L H	X	As determined above	Stored data New data	R12	Determined by STROBE
Strobe	X	X	H L	As determined above	Determined by LATCH ENABLE‡	R12	All LC LC1 thru LC12, respectively

H = high level, L = low level, X = irrelevant, ↑ = low-to-high-level transition

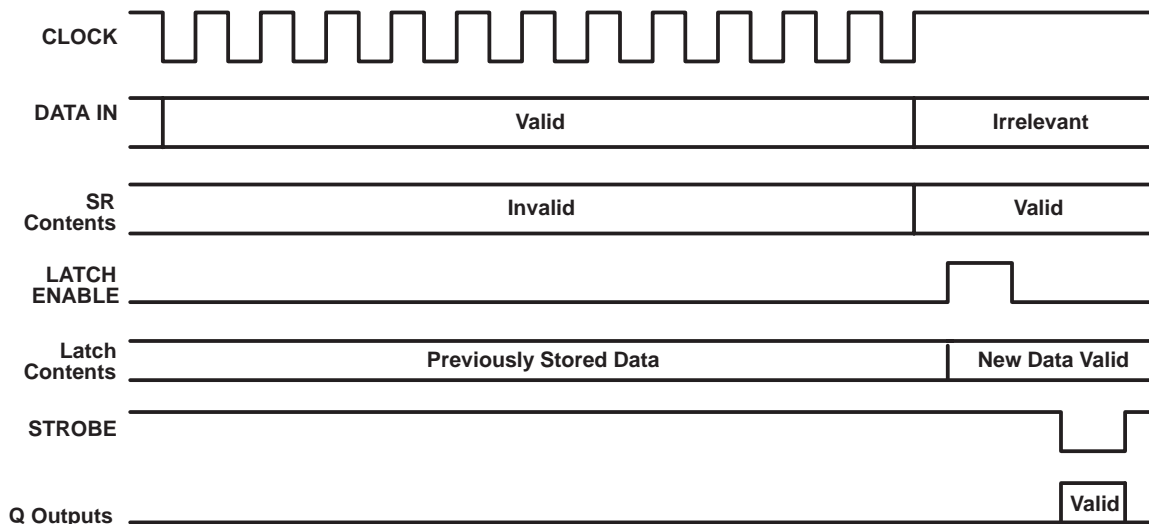
† R₁₂ takes on the state of R₁₁, R₁₁ takes on the state of R₁₀, . . . R₂ takes on the state of R₁, and R₁ takes on the state of the data input.

‡ New data enter the latches while LATCH ENABLE is high. These data are stored while LATCH ENABLE is low.

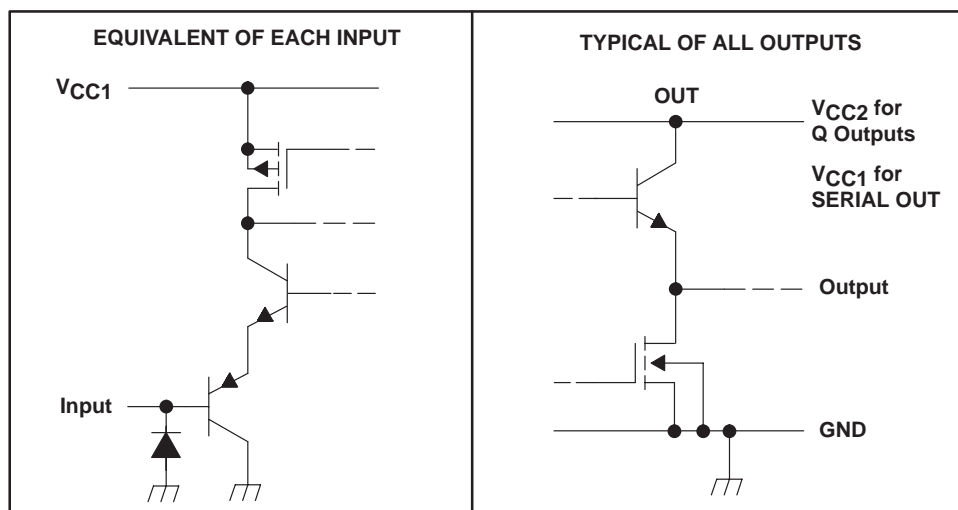
SN65512B, SN75512B VACUUM FLUORESCENT DISPLAY DRIVERS

SLDS016A – DECEMBER 1985 – REVISED OCTOBER 1989

typical operating sequence



schematics of inputs and outputs



SN65512B, SN75512B VACUUM FLUORESCENT DISPLAY DRIVERS

SLDS016A – DECEMBER 1985 – REVISED OCTOBER 1989

absolute maximum ratings over operating free-air temperature range (unless otherwise noted)

Supply voltage range, V_{CC1} (see Note 1)	15 V
Supply voltage, V_{CC2}	70 V
Input voltage, V_I	V_{CC1}
Continuous total power dissipation	See Dissipation Rating Table
Operating free-air temperature range, T_A : SN65512B	-40°C to 85°C
SN75512B	0°C to 70°C
Storage temperature range, T_{stg}	-65°C to 150°C
Lead temperature 1,6 mm (1/16 inch) from case for 10 seconds	260°C

NOTES: 1. Voltage values are with respect to network ground terminal.

DISSIPATION RATING TABLE

PACKAGE	$T_A \leq 25^\circ\text{C}$ POWER RATING	DERATING FACTOR ABOVE $T_A = 25^\circ\text{C}$	$T_A = 70^\circ\text{C}$ POWER RATING	$T_A = 125^\circ\text{C}$ POWER RATING
DW	1125 mW	9.0 mW/°C	720 mW	585 mW
N	1150 mW	9.2 mW/°C	736 mW	589 mW

recommended operating conditions

	SN65512B		SN75512B		UNIT
	MIN	MAX	MIN	MAX	
Supply voltage, V_{CC1}	5	15	5	15	V
Supply voltage, V_{CC2}	0	60	0	60	V
High-level input voltage, V_{IH}	2		2		V
Low-level input voltage, V_{IL}		0.8		0.8	V
High-level output current, I_{OH}		-25		-25	mA
Low-level output current, I_{OL}	$V_{CC1} = 10\text{ V}$		5	5	mA
Clock frequency, f_{clock}	$V_{CC1} = 15\text{ V}, T_A = 25^\circ\text{C}$		0	4	MHz
	$V_{CC1} = 5\text{ V}, T_A = 25^\circ\text{C}$		0	1	
Pulse duration, CLOCK high or low, t_w	$V_{CC1} = 15\text{ V}, T_A = 25^\circ\text{C}$		100	100	ns
	$V_{CC1} = 5\text{ V}, T_A = 25^\circ\text{C}$		500	500	
Setup time, DATA IN valid before CLOCK \uparrow , t_{su} (see Figure 1)	$V_{CC1} = 15\text{ V}, T_A = 25^\circ\text{C}$		100	100	ns
	$V_{CC1} = 5\text{ V}, T_A = 25^\circ\text{C}$		250	250	
Hold time, DATA IN valid after CLOCK \uparrow , t_h (see Figure 1)	$V_{CC1} = 15\text{ V}, T_A = 25^\circ\text{C}$		50	50	ns
	$V_{CC1} = 5\text{ V}, T_A = 25^\circ\text{C}$		250	250	
Operating free-air temperature, T_A	-40	85	0	70	°C



SN65512B, SN75512B VACUUM FLUORESCENT DISPLAY DRIVERS

SLDS016A – DECEMBER 1985 – REVISED OCTOBER 1989

electrical characteristics over recommended operating free-air temperature range, $V_{CC2} = 60\text{ V}$ (unless otherwise noted)

PARAMETER		TEST CONDITIONS	MIN	TYP†	MAX	UNIT
V_{IK}	Input clamp voltage	$I_I = -12\text{ mA}$			-1.5	V
V_{OH}	High-level output voltage	Q outputs	$I_{OH} = -25\text{ mA}$, $V_{CC1} = 10\text{ V}$	57.5	58	V
		SERIAL OUT	$I_{OH} = -200\text{ }\mu\text{A}$, $V_{CC1} = 10\text{ V}$	9	9.5	
V_{OL}	Low-level output voltage	Q outputs	$I_{OL} = 5\text{ mA}$, $V_{CC1} = 10\text{ V}$		2.6	V
		SERIAL OUT	$I_{OL} = 200\text{ }\mu\text{A}$, $V_{CC1} = 10\text{ V}$		0.05	
I_{IH}	High-level input current	$V_{CC1} = 15\text{ V}$, $V_I = 5\text{ V}$		0.01	1	μA
I_{IL}	Low-level input current	$V_{CC1} = 15\text{ V}$, $V_I = 0.8\text{ V}$		-25	-150	μA
I_{CC1}	Supply current from V_{CC1}	$V_{CC1} = 15\text{ V}$	$V_I = 5\text{ V}$	80	500	μA
			$V_I = 0.8\text{ V}$	2	6	mA
I_{CC2}	Supply current from V_{CC2}	$V_{CC1} = 15\text{ V}$	All outputs high	10	100	μA
			STROBE at 2 V	0.8	3	mA

† All typical values are at $V_{CC1} = 5\text{ V}$, $T_A = 25^\circ\text{C}$.

switching characteristics, $V_{CC1} = 10\text{ V}$, $V_{CC2} = 60\text{ V}$, $T_A = 25^\circ\text{C}$

PARAMETER		TEST CONDITIONS	MIN	MAX	UNIT
t_{PHL}	Propagation delay time, high-to-low level output	$C_L = 30\text{ pF}$, See Figure 2		300	ns
t_{PLH}	Propagation delay time, low-to-high level output			300	ns
t_{THL}	Transition time, high-to-low level output			500	ns
t_{TLH}	Transition time, low-to-high level output			500	ns



SN65512B, SN75512B VACUUM FLUORESCENT DISPLAY DRIVERS

SLDS016A – DECEMBER 1985 – REVISED OCTOBER 1989

PARAMETER MEASUREMENT INFORMATION

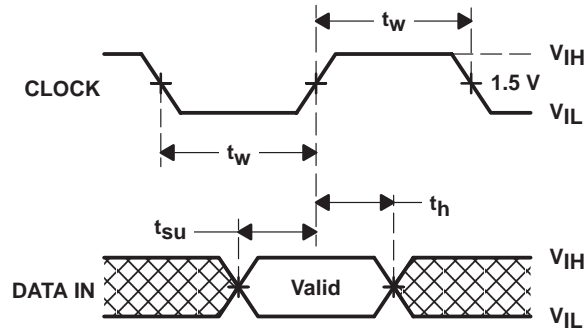


Figure 1. Input Timing Voltage Waveforms

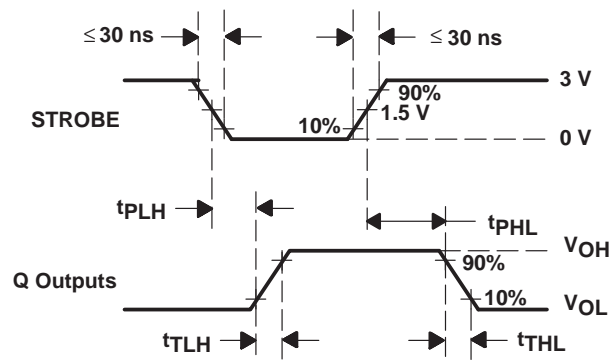


Figure 2. Switching Time Voltage Waveforms

IMPORTANT NOTICE

Texas Instruments Incorporated and its subsidiaries (TI) reserve the right to make corrections, modifications, enhancements, improvements, and other changes to its products and services at any time and to discontinue any product or service without notice. Customers should obtain the latest relevant information before placing orders and should verify that such information is current and complete. All products are sold subject to TI's terms and conditions of sale supplied at the time of order acknowledgment.

TI warrants performance of its hardware products to the specifications applicable at the time of sale in accordance with TI's standard warranty. Testing and other quality control techniques are used to the extent TI deems necessary to support this warranty. Except where mandated by government requirements, testing of all parameters of each product is not necessarily performed.

TI assumes no liability for applications assistance or customer product design. Customers are responsible for their products and applications using TI components. To minimize the risks associated with customer products and applications, customers should provide adequate design and operating safeguards.

TI does not warrant or represent that any license, either express or implied, is granted under any TI patent right, copyright, mask work right, or other TI intellectual property right relating to any combination, machine, or process in which TI products or services are used. Information published by TI regarding third-party products or services does not constitute a license from TI to use such products or services or a warranty or endorsement thereof. Use of such information may require a license from a third party under the patents or other intellectual property of the third party, or a license from TI under the patents or other intellectual property of TI.

Reproduction of TI information in TI data books or data sheets is permissible only if reproduction is without alteration and is accompanied by all associated warranties, conditions, limitations, and notices. Reproduction of this information with alteration is an unfair and deceptive business practice. TI is not responsible or liable for such altered documentation. Information of third parties may be subject to additional restrictions.

Resale of TI products or services with statements different from or beyond the parameters stated by TI for that product or service voids all express and any implied warranties for the associated TI product or service and is an unfair and deceptive business practice. TI is not responsible or liable for any such statements.

TI products are not authorized for use in safety-critical applications (such as life support) where a failure of the TI product would reasonably be expected to cause severe personal injury or death, unless officers of the parties have executed an agreement specifically governing such use. Buyers represent that they have all necessary expertise in the safety and regulatory ramifications of their applications, and acknowledge and agree that they are solely responsible for all legal, regulatory and safety-related requirements concerning their products and any use of TI products in such safety-critical applications, notwithstanding any applications-related information or support that may be provided by TI. Further, Buyers must fully indemnify TI and its representatives against any damages arising out of the use of TI products in such safety-critical applications.

TI products are neither designed nor intended for use in military/aerospace applications or environments unless the TI products are specifically designated by TI as military-grade or "enhanced plastic." Only products designated by TI as military-grade meet military specifications. Buyers acknowledge and agree that any such use of TI products which TI has not designated as military-grade is solely at the Buyer's risk, and that they are solely responsible for compliance with all legal and regulatory requirements in connection with such use.

TI products are neither designed nor intended for use in automotive applications or environments unless the specific TI products are designated by TI as compliant with ISO/TS 16949 requirements. Buyers acknowledge and agree that, if they use any non-designated products in automotive applications, TI will not be responsible for any failure to meet such requirements.

Following are URLs where you can obtain information on other Texas Instruments products and application solutions:

Products

Amplifiers	amplifier.ti.com
Data Converters	dataconverter.ti.com
DLP® Products	www.dlp.com
DSP	dsp.ti.com
Clocks and Timers	www.ti.com/clocks
Interface	interface.ti.com
Logic	logic.ti.com
Power Mgmt	power.ti.com
Microcontrollers	microcontroller.ti.com
RFID	www.ti-rfid.com
RF/IF and ZigBee® Solutions	www.ti.com/lprf

Applications

Audio	www.ti.com/audio
Automotive	www.ti.com/automotive
Broadband	www.ti.com/broadband
Digital Control	www.ti.com/digitalcontrol
Medical	www.ti.com/medical
Military	www.ti.com/military
Optical Networking	www.ti.com/opticalnetwork
Security	www.ti.com/security
Telephony	www.ti.com/telephony
Video & Imaging	www.ti.com/video
Wireless	www.ti.com/wireless

Mailing Address: Texas Instruments, Post Office Box 655303, Dallas, Texas 75265
Copyright © 2009, Texas Instruments Incorporated