

## CMOS BCD-to-7-Segment Latch Decoder Drivers

High-Voltage Types (20-Volt Rating)



■ CD4511B types are BCD-to-7-segment latch decoder drivers constructed with CMOS logic and n-p-n bipolar transistor output devices on a single monolithic structure. These devices combine the low quiescent power dissipation and high noise immunity features of RCA CMOS with n-p-n bipolar output transistors capable of sourcing up to 25 mA. This capability allows the CD4511B types to drive LED's and other displays directly.

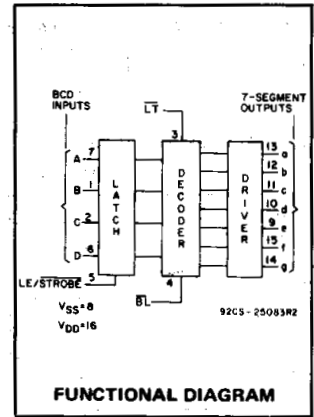
Lamp Test (LT), Blanking (BL), and Latch Enable or Strobe inputs are provided to test the display, shut off or intensity-modulate it, and store or strobe a BCD code, respectively. Several different signals may be multiplexed and displayed when external multiplexing circuitry is used.

The CD4511B types are supplied in 16-lead hermetic dual-in-line ceramic packages (F3A suffix), 16-lead dual-in-line plastic packages (E suffix), 16-lead small-outline packages (NSR suffix), and 16-lead thin shrink small-outline packages (PW and PWR suffixes).

These devices are similar to the type MC14511.



TOP VIEW  
92CS-25084RI  
**CD4511B**  
TERMINAL ASSIGNMENT



FUNCTIONAL DIAGRAM

### Features:

- High-output-sourcing capability . . . . . up to 25 mA
- Input latches for BCD Code storage
- Lamp Test and Blanking capability
- 7-segment outputs blanked for BCD input codes > 1001
- 100% tested for quiescent current at 20 V
- Max. input current of 1  $\mu$ A at 18 V, over full package-temperature range, 100 nA at 18 V and 25°C
- 5-V, 10-V, and 15-V parametric ratings

### Applications:

- Driving common-cathode LED displays
- Multiplexing with common-cathode LED displays
- Driving incandescent displays
- Driving low-voltage fluorescent displays

### MAXIMUM RATINGS, Absolute-Maximum Values:

|   |   |  |                                     |
|---|---|--|-------------------------------------|
| DC SUPPLY-VOLTAGE RANGE, (V <sub>DD</sub> )                             | Voltages referenced to V <sub>SS</sub> Terminal |  | -0.5V to +20V                       |
| INPUT VOLTAGE RANGE, ALL INPUTS   |   |  | -0.5V to V <sub>DD</sub> +0.5V      |
| DC INPUT CURRENT, ANY ONE INPUT   |   |  | ±10mA                               |
| POWER DISSIPATION, PER PACKAGE (P <sub>D</sub> ):                       |   |  |                                     |
| For T <sub>A</sub> = -55°C to +100°C                                    |   |  | 500mW                               |
| For T <sub>A</sub> = +100°C to +125°C                                   |   |  | Derate Linearly at 12mW/°C to 200mW |
| DEVICE DISSIPATION PER OUTPUT TRANSISTOR                                |   |  |                                     |
| FOR T <sub>A</sub> = FULL PACKAGE-TEMPERATURE RANGE (All Package Types) |   |  | 100mW                               |
| OPERATING-TEMPERATURE RANGE (T <sub>A</sub> )                           |   |  | -55°C to +125°C                     |
| STORAGE TEMPERATURE RANGE (T <sub>stg</sub> )                           |   |  | -65°C to +150°C                     |
| LEAD TEMPERATURE (DURING SOLDERING):                                    |   |  |                                     |
| At distance 1/16 ± 1/32 inch (1.59 ± 0.79mm) from case for 10s max      |   |  | +265°C                              |

### OPERATING CONDITIONS AT T<sub>A</sub> = 25°C Unless Otherwise Specified

For maximum reliability, nominal operating conditions should be selected so that operation is always within the following ranges

| Characteristic  | V <sub>DD</sub> | Min. | Max. | Units |
|---|-----------------|------|------|-------|
| Supply Voltage Range (T <sub>A</sub> ):<br>(Full Package-Temperature Range) | —               | 3    | 18   | V     |
| Set-Up Time (t <sub>S</sub> )   | 5               | 150  | —    | ns    |
|   | 10              | 70   | —    | ns    |
|   | 15              | 40   | —    | ns    |
| Hold Time (t <sub>H</sub> )   | 5               | 0    | —    | ns    |
|   | 10              | 0    | —    | ns    |
|   | 15              | 0    | —    | ns    |
| Strobe Pulse Width (t <sub>W</sub> )  | 5               | 400  | —    | ns    |
|   | 10              | 160  | —    | ns    |
|   | 15              | 100  | —    | ns    |

3  
COMMERCIAL CMOS  
HIGH VOLTAGE ICs

# CD4511B Types

## STATIC ELECTRICAL CHARACTERISTICS

| CHARACTERISTIC  | TEST CONDITIONS         |                       |                        |                        | LIMITS AT INDICATED TEMPERATURES (°C) |       |       |       |       |                   |      | Units |
|---|-------------------------|-----------------------|------------------------|------------------------|---------------------------------------|-------|-------|-------|-------|-------------------|------|-------|
|   | I <sub>OH</sub><br>(mA) | V <sub>o</sub><br>(V) | V <sub>IN</sub><br>(V) | V <sub>DD</sub><br>(V) | -55                                   | -40   | +85   | +125  | +25   |                   |      |       |
|   |                         |                       |                        |                        |                                       |       |       |       | Min.  | Typ.              | Max. |       |
| Quiescent Device Current: I <sub>DD</sub> Max.        | -                       | -                     | -                      | 5                      | 5                                     | 5     | 150   | 150   | -     | 0.04              | 5    | μA    |
|   | -                       | -                     | -                      | 10                     | 10                                    | 10    | 300   | 300   | -     | 0.04              | 10   |       |
|   | -                       | -                     | -                      | 15                     | 20                                    | 20    | 600   | 600   | -     | 0.04              | 20   |       |
|   | -                       | -                     | -                      | 20                     | 100                                   | 100   | 3000  | 3000  | -     | 0.08              | 100  |       |
| Output Voltage: Low-Level V <sub>OL</sub> Max.        | -                       | -                     | 0.5                    | 5                      | 0.05                                  |       |       |       | -     | 0                 | 0.05 | V     |
|   | -                       | -                     | 0.10                   | 10                     | 0.05                                  |       |       |       | -     | 0                 | 0.05 |       |
|   | -                       | -                     | 0.15                   | 15                     | 0.05                                  |       |       |       | -     | 0                 | 0.05 |       |
| High-Level V <sub>OH</sub> Min.                       | -                       | -                     | 0.5                    | 5                      | 4                                     | 4     | 4.2   | 4.2   | 4.1   | 4.55              | -    | V     |
|   | -                       | -                     | 0.10                   | 10                     | 9                                     | 9     | 9.2   | 9.2   | 9.1   | 9.55              | -    |       |
| Input Low Voltage, V <sub>IL</sub> Max.               | -                       | 0.5, 3.8              | -                      | 5                      | 1.5                                   |       |       |       | -     | -                 | 1.5  | V     |
|   | -                       | 1.8, 8                | -                      | 10                     | 3                                     |       |       |       | -     | -                 | 3    |       |
| Input High Voltage, V <sub>IH</sub> Min.              | -                       | 1.5, 13.8             | -                      | 15                     | 4                                     |       |       |       | -     | -                 | 4    | V     |
|   | -                       | 0.5, 3.8              | -                      | 5                      | 3.5                                   |       |       |       | -     | -                 | 3.5  |       |
|   | -                       | 1.8, 8                | -                      | 10                     | 7                                     |       |       |       | -     | -                 | 7    | V     |
|   | -                       | 1.5, 13.8             | -                      | 15                     | 11                                    |       |       |       | -     | -                 | 11   |       |
| Output Drive Voltage: High Level V <sub>OH</sub> Min. | 0                       | -                     | -                      | 5                      | 4.0                                   | 4.0   | 4.20  | 4.20  | 4.10  | 4.55              | -    | V     |
|   | 5                       | -                     | -                      | 5                      | -                                     | -     | -     | -     | -     | 4.25              | -    |       |
|   | 10                      | -                     | -                      | 5                      | 3.80                                  | 3.80  | 3.90  | 3.90  | 3.90  | 4.10              | -    |       |
|   | 15                      | -                     | -                      | 5                      | -                                     | -     | 3.50  | 3.50  | -     | 3.95              | -    |       |
|   | 20                      | -                     | -                      | 5                      | 3.55                                  | 3.55  | 3.30  | -     | 3.40  | 3.75              | -    |       |
|   | 25                      | -                     | -                      | 5                      | 3.40                                  | 3.40  | -     | -     | 3.10  | 3.55              | -    |       |
|   | 0                       | -                     | -                      | 10                     | 9.0                                   | 9.0   | 9.20  | 9.20  | 9.10  | 9.55              | -    | V     |
|   | 5                       | -                     | -                      | 10                     | -                                     | -     | -     | -     | -     | 9.25              | -    |       |
|   | 10                      | -                     | -                      | 10                     | 8.85                                  | 8.85  | 9.00  | 9.00  | 9.00  | 9.15              | -    |       |
|   | 15                      | -                     | -                      | 10                     | -                                     | -     | -     | -     | -     | 9.05              | -    |       |
|   | 20                      | -                     | -                      | 10                     | 8.70                                  | 8.70  | 8.40  | 8.40  | 8.60  | 8.90              | -    |       |
|   | 25                      | -                     | -                      | 10                     | 8.60                                  | 8.60  | -     | -     | 8.30  | 8.75              | -    |       |
| 0   | -                       | -                     | 15                     | 14.0                   | 14.0                                  | 14.20 | 14.20 | 14.10 | 14.55 | -                 | V    |       |
| 5   | -                       | -                     | 15                     | -                      | -                                     | -     | -     | -     | 14.30 | -                 |      |       |
| 10  | -                       | -                     | 15                     | 13.90                  | 13.90                                 | 14.0  | 14.0  | 14.0  | 14.20 | -                 |      |       |
| 15  | -                       | -                     | 15                     | -                      | -                                     | -     | -     | -     | 14.10 | -                 |      |       |
| 20  | -                       | -                     | 15                     | 13.75                  | 13.75                                 | 13.50 | 13.50 | 13.70 | 13.95 | -                 |      |       |
| 25  | -                       | -                     | 15                     | 13.65                  | 13.65                                 | -     | -     | 13.50 | 13.80 | -                 |      |       |
| Output Low (Sink) Current, I <sub>OL</sub> Min.       | -                       | 0.4                   | 0.5                    | 5                      | 0.64                                  | 0.61  | 0.42  | 0.36  | 0.51  | 1                 | -    | mA    |
|   | -                       | 0.5                   | 0.10                   | 10                     | 1.6                                   | 1.5   | 1.1   | 0.9   | 1.3   | 2.6               | -    |       |
|   | -                       | 1.5                   | 0.15                   | 15                     | 4.2                                   | 4     | 2.8   | 2.4   | 3.4   | 6.8               | -    |       |
| Input Current, I <sub>IN</sub> Max.                   | -                       | 0.18                  | 0.18                   | 18                     | ±0.1                                  | ±0.1  | ±1    | ±1    | -     | ±10 <sup>-5</sup> | ±0.1 | μA    |



Fig. 1 - Typical output low (sink) current characteristics.



Fig. 2 - Typical data-to-output, low-to-high-level propagation delay time as a function of load capacitance.



Fig. 3 - Typical data-to-output, high-to-low-level propagation delay time as a function of load capacitance.



Fig. 4 - Typical low-to-high-level transition time as a function of load capacitance.

# CD4511B Types

DYNAMIC ELECTRICAL CHARACTERISTICS at  $T_A = 25^\circ\text{C}$ , Input  $t_r, t_f = 20\text{ ns}$ ,  
 $C_L = 50\text{ pF}$ ,  $R_L = 200\text{ k}\Omega$

| CHARACTERISTIC  | Test Conditions | LIMITS<br>All Packages |      |      | UNITS |
|---|-----------------|------------------------|------|------|-------|
|   |                 | $V_{DD}$<br>Volts      | Min. | Typ. |       |
| Propagation Delay Time:<br>(Data)<br>High-to-Low Level, $t_{PHL}$ | 5               | —                      | 520  | 1040 | ns    |
|   | 10              | —                      | 210  | 420  |       |
|   | 15              | —                      | 150  | 300  |       |
| Low-to-High Level, $t_{PLH}$                                      | 5               | —                      | 660  | 1320 | ns    |
|   | 10              | —                      | 260  | 520  |       |
|   | 15              | —                      | 180  | 360  |       |
| Propagation Delay Time:<br>(BL)<br>High-to-Low Level, $t_{PHL}$   | 5               | —                      | 350  | 700  | ns    |
|   | 10              | —                      | 175  | 350  |       |
|   | 15              | —                      | 125  | 250  |       |
| Low-to-High Level, $t_{PLH}$                                      | 5               | —                      | 400  | 800  | ns    |
|   | 10              | —                      | 175  | 350  |       |
|   | 15              | —                      | 150  | 300  |       |
| Propagation Delay Time:<br>(LT)<br>High-to-Low Level, $t_{PHL}$   | 5               | —                      | 250  | 500  | ns    |
|   | 10              | —                      | 125  | 250  |       |
|   | 15              | —                      | 85   | 170  |       |
| Low-to-High Level, $t_{PLH}$                                      | 5               | —                      | 150  | 300  | ns    |
|   | 10              | —                      | 75   | 150  |       |
|   | 15              | —                      | 50   | 100  |       |
| Transition Time:<br><br>Low-to-High Level, $t_{TLH}$              | 5               | —                      | 40   | 80   | ns    |
|   | 10              | —                      | 30   | 60   |       |
|   | 15              | —                      | 25   | 50   |       |
| High-to-Low Level, $t_{THL}$                                      | 5               | —                      | 125  | 310  | ns    |
|   | 10              | —                      | 75   | 185  |       |
|   | 15              | —                      | 65   | 160  |       |
| Minimum Set-Up Time, $t_S$  | 5               | 150                    | 75   | —    | ns    |
|   | 10              | 70                     | 35   | —    |       |
|   | 15              | 40                     | 20   | —    |       |
| Minimum Hold Time, $t_H$  | 5               | 0                      | -75  | —    | ns    |
|   | 10              | 0                      | -35  | —    |       |
|   | 15              | 0                      | -20  | —    |       |
| Strobe Pulse Width, $t_W$   | 5               | 400                    | 200  | —    | ns    |
|   | 10              | 160                    | 80   | —    |       |
|   | 15              | 100                    | 50   | —    |       |
| Input Capacitance, $C_{IN}$                                       |                 | —                      | 5    | 7.5  | pF    |



Fig. 5 - Typical high-to-low transition time as a function of load capacitance.



Fig. 6 - Typical voltage drop ( $V_{DD}$  to output) vs. output source current as a function of supply.

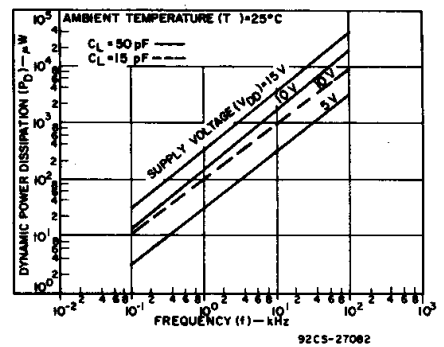


Fig. 7 - Typical dynamic power dissipation characteristics.

3  
**COMMERCIAL CMOS  
HIGH VOLTAGE ICS**

# CD4511B Types



Fig. 8 - Logic diagram.

TRUTH TABLE

| LE | BI | LT | D | C | B | A | a | b | c | d | e | f | g | Display |
|----|----|----|---|---|---|---|---|---|---|---|---|---|---|---------|
| X  | X  | 0  | X | X | X | X | 1 | 1 | 1 | 1 | 1 | 1 | 1 | 8       |
| X  | 0  | 1  | X | X | X | X | 0 | 0 | 0 | 0 | 0 | 0 | 0 | Blank   |
| 0  | 1  | 1  | 0 | 0 | 0 | 0 | 1 | 1 | 1 | 1 | 1 | 1 | 0 | 0       |
| 0  | 1  | 1  | 0 | 0 | 0 | 1 | 0 | 1 | 1 | 0 | 0 | 0 | 0 | 1       |
| 0  | 1  | 1  | 0 | 0 | 1 | 0 | 1 | 1 | 0 | 1 | 1 | 0 | 1 | 2       |
| 0  | 1  | 1  | 0 | 0 | 1 | 1 | 1 | 1 | 1 | 0 | 0 | 1 | 1 | 3       |
| 0  | 1  | 1  | 0 | 1 | 0 | 0 | 0 | 1 | 1 | 0 | 0 | 1 | 1 | 4       |
| 0  | 1  | 1  | 0 | 1 | 0 | 1 | 1 | 0 | 1 | 1 | 0 | 1 | 1 | 5       |
| 0  | 1  | 1  | 0 | 1 | 1 | 0 | 0 | 0 | 1 | 1 | 1 | 1 | 1 | 6       |
| 0  | 1  | 1  | 0 | 1 | 1 | 1 | 1 | 1 | 1 | 0 | 0 | 0 | 0 | 7       |
| 0  | 1  | 1  | 1 | 0 | 0 | 0 | 1 | 1 | 1 | 1 | 1 | 1 | 1 | 8       |
| 0  | 1  | 1  | 1 | 0 | 0 | 1 | 1 | 1 | 0 | 0 | 1 | 1 | 1 | 9       |
| 0  | 1  | 1  | 1 | 0 | 1 | 0 | 0 | 0 | 0 | 0 | 0 | 0 | 0 | Blank   |
| 0  | 1  | 1  | 1 | 0 | 1 | 1 | 0 | 0 | 0 | 0 | 0 | 0 | 0 | Blank   |
| 0  | 1  | 1  | 1 | 1 | 0 | 0 | 0 | 0 | 0 | 0 | 0 | 0 | 0 | Blank   |
| 0  | 1  | 1  | 1 | 1 | 0 | 1 | 0 | 0 | 0 | 0 | 0 | 0 | 0 | Blank   |
| 0  | 1  | 1  | 1 | 1 | 1 | 0 | 0 | 0 | 0 | 0 | 0 | 0 | 0 | Blank   |
| 0  | 1  | 1  | 1 | 1 | 1 | 1 | 0 | 0 | 0 | 0 | 0 | 0 | 0 | Blank   |
| 1  | 1  | 1  | X | X | X | X | * | * | * | * | * | * | * | *       |

X = Don't Care \* Depends on BCD code previously applied when LE = 0  
 Note: Display is blank for all illegal input codes (BCD > 1001).



Fig. 9 - Quiescent device current.

## TEST CIRCUITS

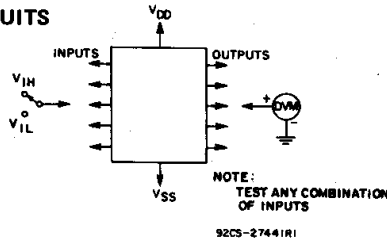


Fig. 10 - Input voltage.

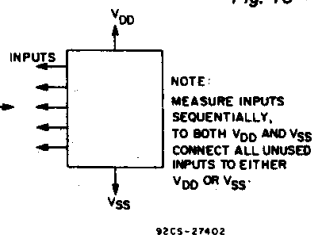


Fig. 11 - Input current.



Fig. 12 - Data propagation delay.

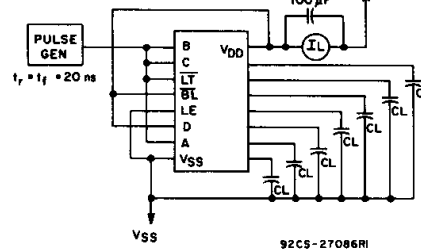


Fig. 13 - Dynamic power dissipation.

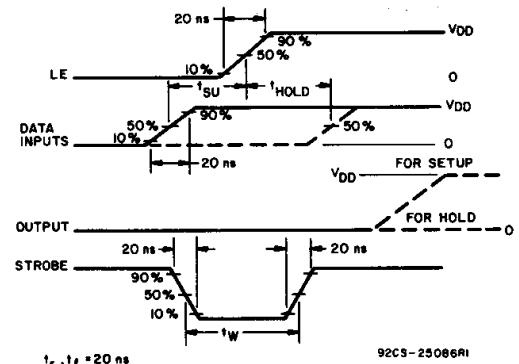


Fig. 14 - Dynamic waveforms.

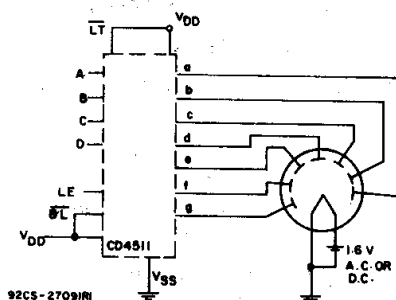
# CD4511B Types

## APPLICATIONS Interfacing with Various Displays



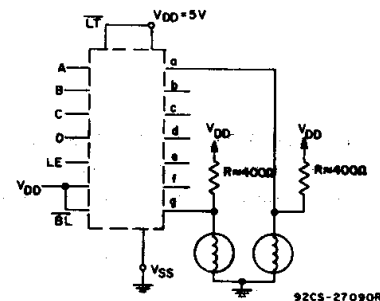
Duty Cycle = 100%  
 $I_{SEG} = I_{DIODE\ AVG.} = 20\text{ mA at Luminous Intensity/Segment} = 250\text{ microcandles}$   
 $R = \frac{V_{OH} - V_{DF}}{I_{SEG}}$

Fig. 15 - Driving common-cathode 7-segment LED displays (example Hewlet-Packard 5082-7740).

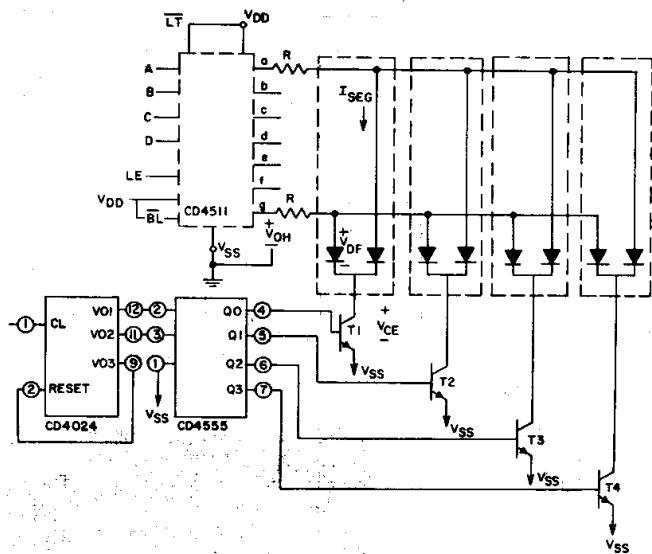


A medium-brightness intensity display can be obtained with low-voltage fluorescent displays such as the Tung-Sol Digivac S/G\*\* Series.

\*\*Trademark Tung-Sol Division Wagner Electric Co.  
 Fig. 16 - Driving low-voltage fluorescent displays.



2 of 7 Segments Shown Connected  
 Resistors R from V<sub>DD</sub> to each 7-segment driver output are chosen to keep all Numitron segments slightly on and warm.  
 Fig. 17 - Driving incandescent displays (RCA Numitron DR2000 series displays).

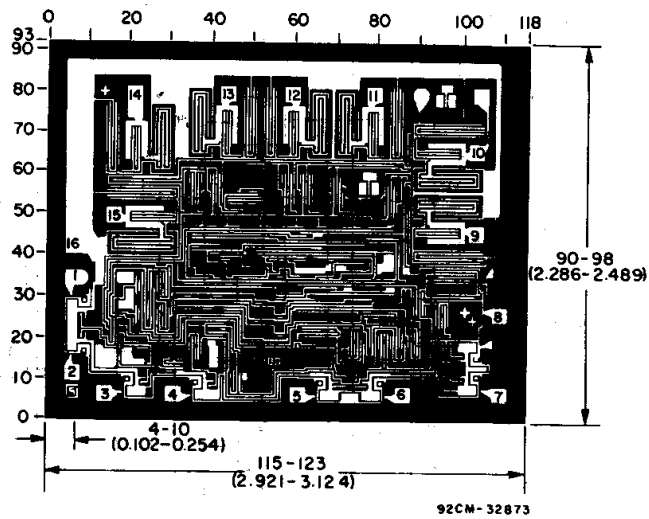


Multiplexing Scheme Showing 2 of 7 Segments Connected  
 Transistors T<sub>1</sub>-T<sub>4</sub> (RCA-2N3053 or 2N2102) have I<sub>C</sub> Max. rating > 7x I<sub>SEG</sub>

Duty Cycle = 25%  
 $I_{SEG} = (I_{DIODE\ AVG.}) \times 4$   
 $R = \frac{(V_{OH} - V_{DF} - V_{CE})}{I_{SEG}}$

All unused inputs on CD4555 are connected to V<sub>DD</sub> or V<sub>SS</sub>.

Fig. 18 - Multiplexing with common-cathode 7-segment LED displays (example Hewlet-Packard 5082-7404 4 character display or 4 discrete Monosanto Man 3 displays).



Dimensions and pad layout for CD4511B chip.

Dimensions in parentheses are in millimeters and are derived from the basic inch dimensions as indicated. Grid graduations are in mils (10<sup>-3</sup> inch).

3  
 COMMERCIAL CMOS  
 HIGH VOLTAGE ICs

**PACKAGING INFORMATION**

| Orderable Device | Status<br>(1) | Package Type | Package Drawing | Pins | Package Qty | Eco Plan<br>(2)         | Lead/Ball Finish | MSL Peak Temp<br>(3) | Op Temp (°C) | Top-Side Markings<br>(4) | Samples                 |
|------------------|---------------|--------------|-----------------|------|-------------|-------------------------|------------------|----------------------|--------------|--------------------------|-------------------------|
| CD4511BE         | ACTIVE        | PDIP         | N               | 16   | 25          | Pb-Free (RoHS)          | CU NIPDAU        | N / A for Pkg Type   | -55 to 125   | CD4511BE                 | <a href="#">Samples</a> |
| CD4511BEE4       | ACTIVE        | PDIP         | N               | 16   | 25          | Pb-Free (RoHS)          | CU NIPDAU        | N / A for Pkg Type   | -55 to 125   | CD4511BE                 | <a href="#">Samples</a> |
| CD4511BF         | ACTIVE        | CDIP         | J               | 16   | 1           | TBD                     | A42              | N / A for Pkg Type   | -55 to 125   | CD4511BF                 | <a href="#">Samples</a> |
| CD4511BF3A       | ACTIVE        | CDIP         | J               | 16   | 1           | TBD                     | A42              | N / A for Pkg Type   | -55 to 125   | CD4511BF3A               | <a href="#">Samples</a> |
| CD4511BNSR       | ACTIVE        | SO           | NS              | 16   | 2000        | Green (RoHS & no Sb/Br) | CU NIPDAU        | Level-1-260C-UNLIM   | -55 to 125   | CD4511B                  | <a href="#">Samples</a> |
| CD4511BNSRE4     | ACTIVE        | SO           | NS              | 16   | 2000        | Green (RoHS & no Sb/Br) | CU NIPDAU        | Level-1-260C-UNLIM   | -55 to 125   | CD4511B                  | <a href="#">Samples</a> |
| CD4511BNSRG4     | ACTIVE        | SO           | NS              | 16   | 2000        | Green (RoHS & no Sb/Br) | CU NIPDAU        | Level-1-260C-UNLIM   | -55 to 125   | CD4511B                  | <a href="#">Samples</a> |
| CD4511BPW        | ACTIVE        | TSSOP        | PW              | 16   | 90          | Green (RoHS & no Sb/Br) | CU NIPDAU        | Level-1-260C-UNLIM   | -55 to 125   | CM511B                   | <a href="#">Samples</a> |
| CD4511BPWE4      | ACTIVE        | TSSOP        | PW              | 16   | 90          | Green (RoHS & no Sb/Br) | CU NIPDAU        | Level-1-260C-UNLIM   | -55 to 125   | CM511B                   | <a href="#">Samples</a> |
| CD4511BPWG4      | ACTIVE        | TSSOP        | PW              | 16   | 90          | Green (RoHS & no Sb/Br) | CU NIPDAU        | Level-1-260C-UNLIM   | -55 to 125   | CM511B                   | <a href="#">Samples</a> |
| CD4511BPWR       | ACTIVE        | TSSOP        | PW              | 16   | 2000        | Green (RoHS & no Sb/Br) | CU NIPDAU        | Level-1-260C-UNLIM   | -55 to 125   | CM511B                   | <a href="#">Samples</a> |
| CD4511BPWRE4     | ACTIVE        | TSSOP        | PW              | 16   | 2000        | Green (RoHS & no Sb/Br) | CU NIPDAU        | Level-1-260C-UNLIM   | -55 to 125   | CM511B                   | <a href="#">Samples</a> |
| CD4511BPWRG4     | ACTIVE        | TSSOP        | PW              | 16   | 2000        | Green (RoHS & no Sb/Br) | CU NIPDAU        | Level-1-260C-UNLIM   | -55 to 125   | CM511B                   | <a href="#">Samples</a> |

(1) The marketing status values are defined as follows:

**ACTIVE:** Product device recommended for new designs.

**LIFEBUY:** TI has announced that the device will be discontinued, and a lifetime-buy period is in effect.

**NRND:** Not recommended for new designs. Device is in production to support existing customers, but TI does not recommend using this part in a new design.

**PREVIEW:** Device has been announced but is not in production. Samples may or may not be available.

**OBSELETE:** TI has discontinued the production of the device.

(2) Eco Plan - The planned eco-friendly classification: Pb-Free (RoHS), Pb-Free (RoHS Exempt), or Green (RoHS & no Sb/Br) - please check <http://www.ti.com/productcontent> for the latest availability information and additional product content details.

---

**TBD:** The Pb-Free/Green conversion plan has not been defined.

**Pb-Free (RoHS):** TI's terms "Lead-Free" or "Pb-Free" mean semiconductor products that are compatible with the current RoHS requirements for all 6 substances, including the requirement that lead not exceed 0.1% by weight in homogeneous materials. Where designed to be soldered at high temperatures, TI Pb-Free products are suitable for use in specified lead-free processes.

**Pb-Free (RoHS Exempt):** This component has a RoHS exemption for either 1) lead-based flip-chip solder bumps used between the die and package, or 2) lead-based die adhesive used between the die and leadframe. The component is otherwise considered Pb-Free (RoHS compatible) as defined above.

**Green (RoHS & no Sb/Br):** TI defines "Green" to mean Pb-Free (RoHS compatible), and free of Bromine (Br) and Antimony (Sb) based flame retardants (Br or Sb do not exceed 0.1% by weight in homogeneous material)

<sup>(3)</sup> MSL, Peak Temp. -- The Moisture Sensitivity Level rating according to the JEDEC industry standard classifications, and peak solder temperature.

<sup>(4)</sup> Multiple Top-Side Markings will be inside parentheses. Only one Top-Side Marking contained in parentheses and separated by a "~" will appear on a device. If a line is indented then it is a continuation of the previous line and the two combined represent the entire Top-Side Marking for that device.

**Important Information and Disclaimer:**The information provided on this page represents TI's knowledge and belief as of the date that it is provided. TI bases its knowledge and belief on information provided by third parties, and makes no representation or warranty as to the accuracy of such information. Efforts are underway to better integrate information from third parties. TI has taken and continues to take reasonable steps to provide representative and accurate information but may not have conducted destructive testing or chemical analysis on incoming materials and chemicals. TI and TI suppliers consider certain information to be proprietary, and thus CAS numbers and other limited information may not be available for release.

In no event shall TI's liability arising out of such information exceed the total purchase price of the TI part(s) at issue in this document sold by TI to Customer on an annual basis.

## TAPE AND REEL INFORMATION



### QUADRANT ASSIGNMENTS FOR PIN 1 ORIENTATION IN TAPE



\*All dimensions are nominal

| Device     | Package Type | Package Drawing | Pins | SPQ  | Reel Diameter (mm) | Reel Width W1 (mm) | A0 (mm) | B0 (mm) | K0 (mm) | P1 (mm) | W (mm) | Pin1 Quadrant |
|------------|--------------|-----------------|------|------|--------------------|--------------------|---------|---------|---------|---------|--------|---------------|
| CD4511BPWR | TSSOP        | PW              | 16   | 2000 | 330.0              | 12.4               | 6.9     | 5.6     | 1.6     | 8.0     | 12.0   | Q1            |



TAPE AND REEL BOX DIMENSIONS



\*All dimensions are nominal

| Device     | Package Type | Package Drawing | Pins | SPQ  | Length (mm) | Width (mm) | Height (mm) |
|------------|--------------|-----------------|------|------|-------------|------------|-------------|
| CD4511BPWR | TSSOP        | PW              | 16   | 2000 | 367.0       | 367.0      | 35.0        |

J (R-GDIP-T\*\*)

14 LEADS SHOWN

CERAMIC DUAL IN-LINE PACKAGE



| DIM \ PINS ** | 14                     | 16                     | 18                     | 20                     |
|---------------|------------------------|------------------------|------------------------|------------------------|
| A             | 0.300<br>(7,62)<br>BSC | 0.300<br>(7,62)<br>BSC | 0.300<br>(7,62)<br>BSC | 0.300<br>(7,62)<br>BSC |
| B MAX         | 0.785<br>(19,94)       | .840<br>(21,34)        | 0.960<br>(24,38)       | 1.060<br>(26,92)       |
| B MIN         | —                      | —                      | —                      | —                      |
| C MAX         | 0.300<br>(7,62)        | 0.300<br>(7,62)        | 0.310<br>(7,87)        | 0.300<br>(7,62)        |
| C MIN         | 0.245<br>(6,22)        | 0.245<br>(6,22)        | 0.220<br>(5,59)        | 0.245<br>(6,22)        |



4040083/F 03/03

- NOTES:
- All linear dimensions are in inches (millimeters).
  - This drawing is subject to change without notice.
  - This package is hermetically sealed with a ceramic lid using glass frit.
  - Index point is provided on cap for terminal identification only on press ceramic glass frit seal only.
  - Falls within MIL STD 1835 GDIP1-T14, GDIP1-T16, GDIP1-T18 and GDIP1-T20.

N (R-PDIP-T\*\*)

PLASTIC DUAL-IN-LINE PACKAGE

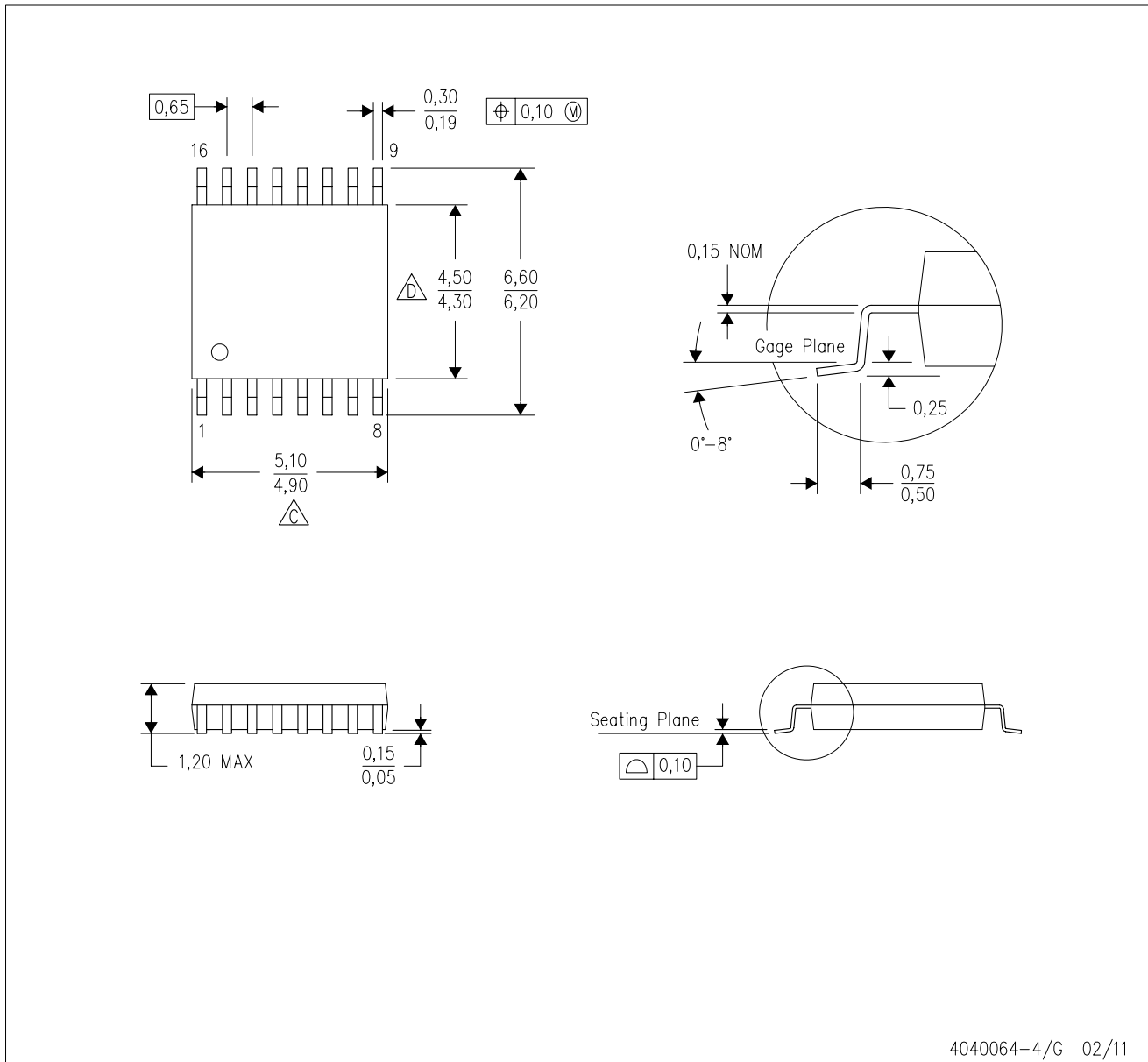
16 PINS SHOWN



- NOTES:
- A. All linear dimensions are in inches (millimeters).
  - B. This drawing is subject to change without notice.
  - Falls within JEDEC MS-001, except 18 and 20 pin minimum body length (Dim A).
  - The 20 pin end lead shoulder width is a vendor option, either half or full width.

PW (R-PDSO-G16)

PLASTIC SMALL OUTLINE



- NOTES:
- A. All linear dimensions are in millimeters. Dimensioning and tolerancing per ASME Y14.5M-1994.
  - B. This drawing is subject to change without notice.
  -  Body length does not include mold flash, protrusions, or gate burrs. Mold flash, protrusions, or gate burrs shall not exceed 0,15 each side.
  -  Body width does not include interlead flash. Interlead flash shall not exceed 0,25 each side.
  - E. Falls within JEDEC MO-153

PW (R-PDSO-G16)

PLASTIC SMALL OUTLINE



- NOTES:
- All linear dimensions are in millimeters.
  - This drawing is subject to change without notice.
  - Publication IPC-7351 is recommended for alternate designs.
  - Laser cutting apertures with trapezoidal walls and also rounding corners will offer better paste release. Customers should contact their board assembly site for stencil design recommendations. Refer to IPC-7525 for other stencil recommendations.
  - Customers should contact their board fabrication site for solder mask tolerances between and around signal pads.

# MECHANICAL DATA

NS (R-PDSO-G\*\*)

PLASTIC SMALL-OUTLINE PACKAGE

14-PINS SHOWN



- NOTES:
- A. All linear dimensions are in millimeters.
  - B. This drawing is subject to change without notice.
  - C. Body dimensions do not include mold flash or protrusion, not to exceed 0,15.

## IMPORTANT NOTICE

Texas Instruments Incorporated and its subsidiaries (TI) reserve the right to make corrections, enhancements, improvements and other changes to its semiconductor products and services per JESD46, latest issue, and to discontinue any product or service per JESD48, latest issue. Buyers should obtain the latest relevant information before placing orders and should verify that such information is current and complete. All semiconductor products (also referred to herein as "components") are sold subject to TI's terms and conditions of sale supplied at the time of order acknowledgment.

TI warrants performance of its components to the specifications applicable at the time of sale, in accordance with the warranty in TI's terms and conditions of sale of semiconductor products. Testing and other quality control techniques are used to the extent TI deems necessary to support this warranty. Except where mandated by applicable law, testing of all parameters of each component is not necessarily performed.

TI assumes no liability for applications assistance or the design of Buyers' products. Buyers are responsible for their products and applications using TI components. To minimize the risks associated with Buyers' products and applications, Buyers should provide adequate design and operating safeguards.

TI does not warrant or represent that any license, either express or implied, is granted under any patent right, copyright, mask work right, or other intellectual property right relating to any combination, machine, or process in which TI components or services are used. Information published by TI regarding third-party products or services does not constitute a license to use such products or services or a warranty or endorsement thereof. Use of such information may require a license from a third party under the patents or other intellectual property of the third party, or a license from TI under the patents or other intellectual property of TI.

Reproduction of significant portions of TI information in TI data books or data sheets is permissible only if reproduction is without alteration and is accompanied by all associated warranties, conditions, limitations, and notices. TI is not responsible or liable for such altered documentation. Information of third parties may be subject to additional restrictions.

Resale of TI components or services with statements different from or beyond the parameters stated by TI for that component or service voids all express and any implied warranties for the associated TI component or service and is an unfair and deceptive business practice. TI is not responsible or liable for any such statements.

Buyer acknowledges and agrees that it is solely responsible for compliance with all legal, regulatory and safety-related requirements concerning its products, and any use of TI components in its applications, notwithstanding any applications-related information or support that may be provided by TI. Buyer represents and agrees that it has all the necessary expertise to create and implement safeguards which anticipate dangerous consequences of failures, monitor failures and their consequences, lessen the likelihood of failures that might cause harm and take appropriate remedial actions. Buyer will fully indemnify TI and its representatives against any damages arising out of the use of any TI components in safety-critical applications.

In some cases, TI components may be promoted specifically to facilitate safety-related applications. With such components, TI's goal is to help enable customers to design and create their own end-product solutions that meet applicable functional safety standards and requirements. Nonetheless, such components are subject to these terms.

No TI components are authorized for use in FDA Class III (or similar life-critical medical equipment) unless authorized officers of the parties have executed a special agreement specifically governing such use.

Only those TI components which TI has specifically designated as military grade or "enhanced plastic" are designed and intended for use in military/aerospace applications or environments. Buyer acknowledges and agrees that any military or aerospace use of TI components which have **not** been so designated is solely at the Buyer's risk, and that Buyer is solely responsible for compliance with all legal and regulatory requirements in connection with such use.

TI has specifically designated certain components as meeting ISO/TS16949 requirements, mainly for automotive use. In any case of use of non-designated products, TI will not be responsible for any failure to meet ISO/TS16949.

### Products

|                              |  |
|------------------------------|--|
| Audio                        | <a href="http://www.ti.com/audio">www.ti.com/audio</a>                               |
| Amplifiers                   | <a href="http://amplifier.ti.com">amplifier.ti.com</a>                               |
| Data Converters              | <a href="http://dataconverter.ti.com">dataconverter.ti.com</a>                       |
| DLP® Products                | <a href="http://www.dlp.com">www.dlp.com</a>   |
| DSP                          | <a href="http://dsp.ti.com">dsp.ti.com</a>   |
| Clocks and Timers            | <a href="http://www.ti.com/clocks">www.ti.com/clocks</a>                             |
| Interface                    | <a href="http://interface.ti.com">interface.ti.com</a>                               |
| Logic                        | <a href="http://logic.ti.com">logic.ti.com</a>                                       |
| Power Mgmt                   | <a href="http://power.ti.com">power.ti.com</a>                                       |
| Microcontrollers             | <a href="http://microcontroller.ti.com">microcontroller.ti.com</a>                   |
| RFID                         | <a href="http://www.ti-rfid.com">www.ti-rfid.com</a>                                 |
| OMAP Applications Processors | <a href="http://www.ti.com/omap">www.ti.com/omap</a>                                 |
| Wireless Connectivity        | <a href="http://www.ti.com/wirelessconnectivity">www.ti.com/wirelessconnectivity</a> |

### Applications

|                               |  |
|-------------------------------|--|
| Automotive and Transportation | <a href="http://www.ti.com/automotive">www.ti.com/automotive</a>                         |
| Communications and Telecom    | <a href="http://www.ti.com/communications">www.ti.com/communications</a>                 |
| Computers and Peripherals     | <a href="http://www.ti.com/computers">www.ti.com/computers</a>                           |
| Consumer Electronics          | <a href="http://www.ti.com/consumer-apps">www.ti.com/consumer-apps</a>                   |
| Energy and Lighting           | <a href="http://www.ti.com/energy">www.ti.com/energy</a>                                 |
| Industrial                    | <a href="http://www.ti.com/industrial">www.ti.com/industrial</a>                         |
| Medical                       | <a href="http://www.ti.com/medical">www.ti.com/medical</a>                               |
| Security                      | <a href="http://www.ti.com/security">www.ti.com/security</a>                             |
| Space, Avionics and Defense   | <a href="http://www.ti.com/space-avionics-defense">www.ti.com/space-avionics-defense</a> |
| Video and Imaging             | <a href="http://www.ti.com/video">www.ti.com/video</a>                                   |

### TI E2E Community

[e2e.ti.com](http://e2e.ti.com)