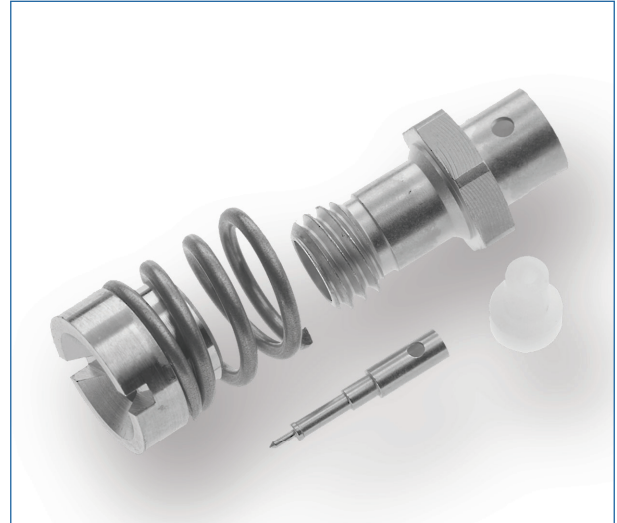


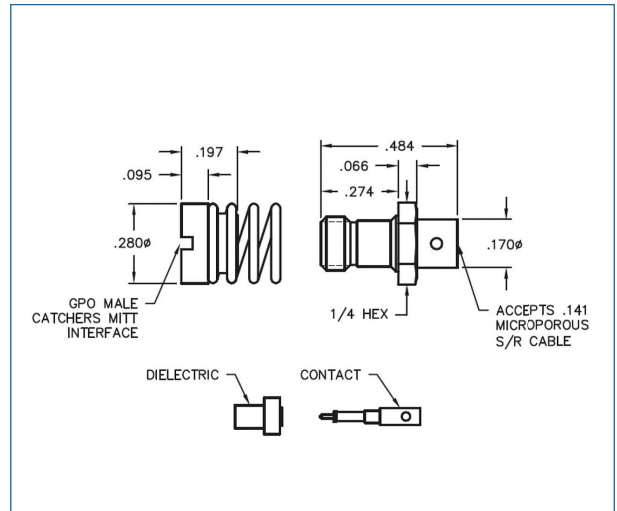
# GPO Male Cable Connector

Catchers Mitt Bulkhead Float Mount to 0.141 Microporous S/R Cable, 0.484 Length

CORNING



Part Number: 0119-590-3



Part Number: 0119-590-3

CORNING

# GPO Male Cable Connector

Catchers Mitt Bulkhead Float Mount to 0.141 Microporous S/R Cable, 0.484 Length



## Specifications

General Specifications	
Category	Cable Connectors
Impedance	50 $\Omega$
Frequency Range	DC to 40 GHz typ.
Materials, Bodies	Beryllium Copper per ASTM B196 and or/ASTM B197
Materials, Outer Contacts	Beryllium Copper per ASTM B196 and or/ASTM B197
Materials, Center Contacts	Beryllium Copper per ASTM B196 and or/ASTM B197
Materials, Insulators	PTFE Fluorocarbon per ASTM D1710
Materials, Springs	17-7 Stainless Steel per ASTM A313-95A
Finish, Bodies	Gold plated per MIL-G-45204, Type I, Grade C, Class 1, Over Nickel Plate per SAE AMS-QQ-N-290
Finish, Contacts	Gold plated per MIL-G-45204, Type I, Grade C, Class 1, Over Nickel Plate per SAE AMS-QQ-N-290

Temperature Range	
Installation	-65 °C to 165 °C

Design - Hardware	
Length	0.484 in
Width	0.280 in
Diameter A	0.280 in
Diameter B	0.141 in Microporous S/R Cable

Mechanical Characteristics	
Mate / Demate Cycles FD	100 min
Mate / Demate Cycles LD	500 min
Mate / Demate Cycles SB	1,000 min
Force to Engage / Disengage FD	7.0 lbs. typ. / 9.0 lbs. typical
Force to Engage / Disengage LD	5.0 lbs. typ. / 7.0 lbs. typ.
Force to Engage / Disengage SB	3.0 lbs. typ. / 0.5 lbs. typ.
Tolerated Misalignment Axial	0.010 (flush to 0.010 from reference plane)
Tolerated Misalignment Radial	+ / - 0.010

# GPO Male Cable Connector

Catchers Mitt Bulkhead Float Mount to 0.141 Microporous S/R Cable, 0.484 Length



## Electrical characteristics (at 20°C)

Insertion Loss	0.04 vf GHz
DWV at Sea Level	500 Vrms voltage
Insulation Resistance	≥ 5000 MΩ (DC)
Contact Resistance - Outer Conductor	< 2 mΩ
Contact Resistance - Inner Conductor	< 6 mΩ

## Environmental Influences

Thermal Shock	MIL-STD-202, Method 107, Condition B
Salt Spray	MIL-STD-202, Method 101
Vibration	MIL-STD-202, Method 204
Shock	MIL-STD-202, Method 213, Condition I
Moisture Resistance	MIL-STD-202, Method 106, except Step 7B

## Ordering Information

Part Number	0119-590-3
Product Description	GPO Male Cable Connector, Catchers Mitt Bulkhead Float Mount to 0.141 Microporous S/R Cable, 0.484 Length
EAN Code	4056418762203



Corning Optical Communications RF LLC (Corning Gilbert) • 5310 W. Camelback Rd. • Glendale, AZ 85301 USA  
800-528-5567 • FAX: 800-344-6358 • International: +1-623-245-1050 • [www.corning.com/opcomm](http://www.corning.com/opcomm)

A complete listing of the trademarks of Corning Optical Communications RF is available at [www.corning.com/opcomm/trademarks](http://www.corning.com/opcomm/trademarks). All other trademarks are the properties of their respective owners. Corning Optical Communications RF is ISO 9001 certified. © 2016 Corning Optical Communications. All rights reserved.

Corning Optical Communications LLC • PO Box 489 • Hickory, NC 28603-0489 USA

800-528-5567 • FAX: 826-325-5061 • International: +1-828-901-5000 • [www.corning.com/opcomm](http://www.corning.com/opcomm)

Page 3 | Revision date 2016-03-02  
A complete listing of the trademarks of Corning Optical Communications is available at [www.corning.com/opcomm/trademarks](http://www.corning.com/opcomm/trademarks).

All other trademarks are the properties of their respective owners. Corning Optical Communications is ISO 9001 certified.

© 2016 Corning Optical Communications. All rights reserved.

