

Data Sheet

Fast-on receptacle 6.3x0.8mm Brass tinned for hole \varnothing 1.3mm

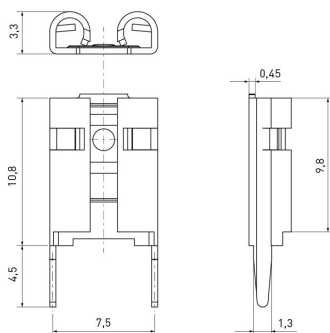
Part No.: 019.68.071



Finish :	Tin-Plated
Length [mm] :	10,8
Material :	Brass
Special Features :	Springforce: Normal / \varnothing 1.3mm hole
Material Group :	Brass
DIN/ISO :	DIN46247
Size [mm] :	6,3x0,8
Weight per 100 pcs :	78 g
Customs tariff number :	85366990
Conformities :	



Image for illustrative purposes only.



All information is available online
on our detail product page!

Looking for some advice for your specific situation?
If so, please don't hesitate to e-mail us at products@ettinger.de

Subject to changes and errors.