

# SuperSeal™ Mighty Mouse Series 801 Plugs

with Micro “B” USB Plug and Rear Crimp Contact Wire Termination  
801-082 and 801-083 Ordering Information



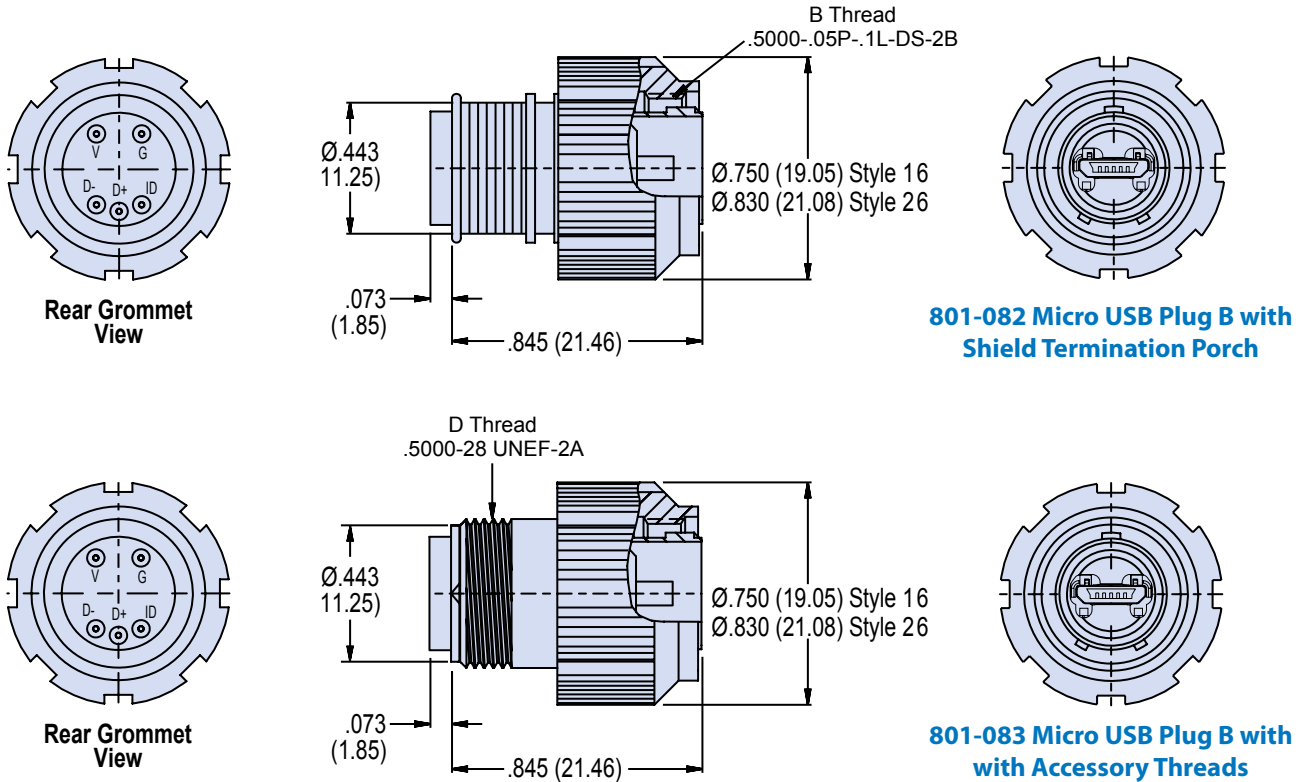
Mighty Mouse  
Micro USB



Plug, Micro B  
USB Front and  
Crimp Rear View

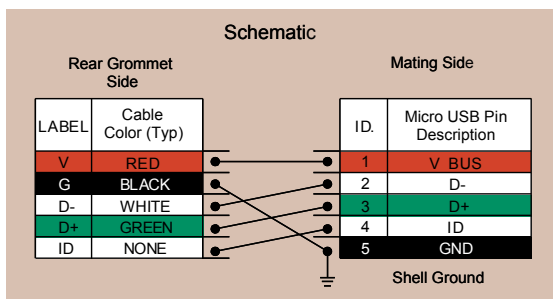
How To Order				
Sample Part Number	801-082	-16 MUSB	-M	A
Series (See Table I)	801-082 = Shield Termination Porch 801-083 = Accessory Threads			
Shell Style	16 = Plug with Anti-Decoupling Spring 26 = Self-Locking Plug with Ratchet Mechanism			
Shell Material and Finish	NF = Cadmium Olive Drab M = Electroless Nickel MT = Nickel PTFE ZNU = Black Zinc Nickel			
Shell Key Positions	A, B, C, D, E, F			

## These Plug Connectors Mate with Glenair Receptacles 801-084, 801-085, and 801-090



801-082 Micro USB Plug B with  
Shield Termination Porch

801-083 Micro USB Plug B with  
Accessory Threads



Plug and Receptacle Key Positions		
	A°	B°
A	150°	210°
B	75°	210°
C	95°	230°
D	140°	275°
E	75°	275°
F	95°	210°

Dimensions in Inches (millimeters) are subject to change without notice.

