

# ADSL-Transformer WSL-A12.321

## Specifications



### Application

CO, Motorola MC03AX1456RT Rev. 1.3 Chipset

### Safety Agency

UL1459

### Features

Optimized magnetic shielding for low interference  
High performance, high quality design  
SMT and THT package available

### Packaging

100 pcs./tray  
7 trays/carton

### Solderability

270 - 300°C


### Isolation voltage

1500 VAC

### Operation Temperature Range

-40°C to +85°C

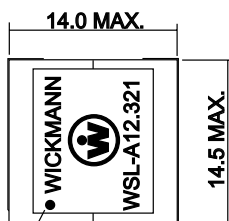
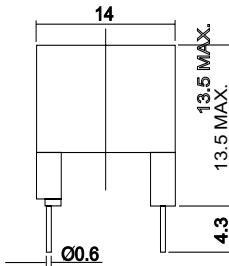
### Marking

 article-no.

### Unit Weight

7g

## Schematics & Mechanicals (mm)



BLACK DOT IS PIN NO.1

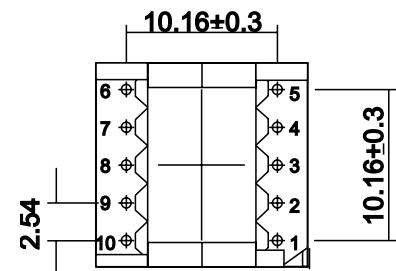
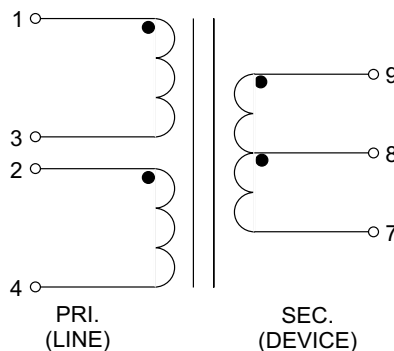
## WebLinks

### Data Sheet

[www.wickmann.com/products/WSL\\_A12321.pdf](http://www.wickmann.com/products/WSL_A12321.pdf)

### Packaging

[www.wickmann.com/pack](http://www.wickmann.com/pack)



DC Resistance	1,91 Ω (1-3) max. ±10% 1,91 Ω (2-4) max. ±10% 4,0 Ω (9-7) max. ±10%
Open Circuit Inductance	4 mH ±10% @ 10kHz, 100mVAC on series, (1-4), short (2+3) 2,8 mH ±10% @ 10kHz, 100mVAC (9-7)
Turns Ratio	1,2:1 ±1,5% (1-4):(9-7) 1:1 ±1% (1-3):(2-4)
Leakage Inductance	15,0µH max. 100kHz, 100mVAC (1-4), short (2+3, 7+9)
Logitudinal Balance	40 dB max. @ 20kHz – 1,1MHz, ITU method (L->M), 9-GND
Interwinding Capacity	40 pF max. @ 10kHz, 1VAC, (1-9), short (2+3)
Reflects 100Ω @ R <sub>L</sub>	69,4 Ω load on sec. @ 10kHz, 1VAC
Insertion Loss	-
Total Harmonic Distortion	-

## Order Information

Qty.	Order Number
	960 4 612321 9