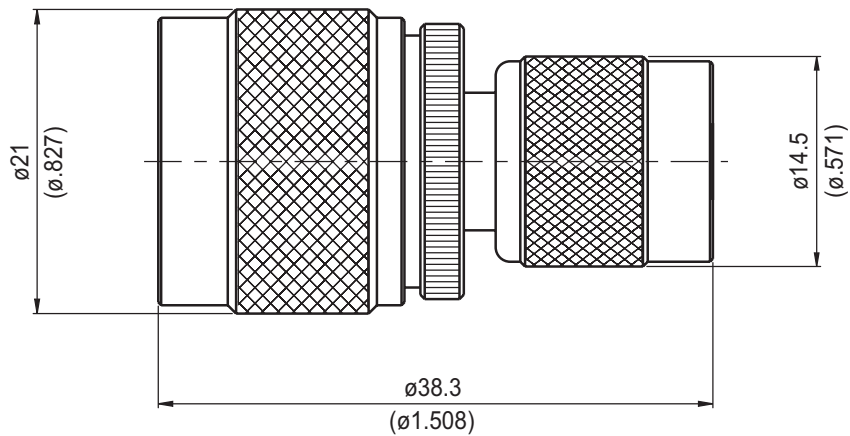


AD-N3T3

N Plug To TNC Plug

50Ω



Typical VSWR

Part Number	1 Ghz	2 Ghz	3 Ghz	4 Ghz	5 Ghz	6 Ghz	7 Ghz
AD-N3T3	1.07	1.07	1.15	1.2	1.2	1.2	1.28

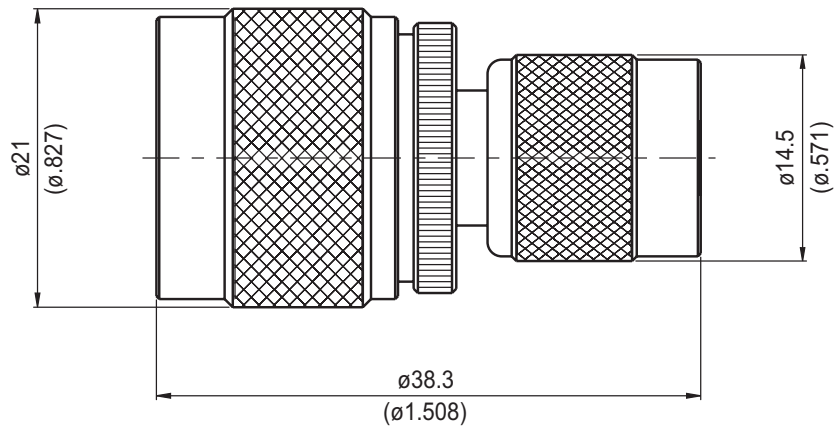
Parts	Material	Plating (Micro-inch)
Spring	SK5	Tin-Zinc-Copper-Alloy 100 Over Copper 50
Washer	Brass	Gold 10 Over Nickel 50 Over Copper 50
Retainer Ring	Brass	Gold 10 Over Nickel 50 Over Copper 50
Gasket	Silicone	
Contact Body	Brass	Tin-Zinc-Copper-Alloy 100 Over Copper 50
Center Pin	Brass	Gold 10 Over Nickel 50 Over Copper 50
Insulator	Teflon	
Body	Brass	Tin-Zinc-Copper-Alloy 100 Over Copper 50
Coupling Nut	Brass	Tin-Zinc-Copper-Alloy 100 Over Copper 50

Weight: 43 g

Notice: JYEBAO reserves the right to make modifications deemed appropriate.

AD-N3T6

N Plug To TNC Reverse Polarity Plug 50Ω



Typical VSWR

Part Number	1 Ghz	2 Ghz	3 Ghz	4 Ghz	5 Ghz	6 Ghz	7 Ghz	8 Ghz	9 Ghz	10 Ghz
AD-N3T6	1.07	1.07	1.07	1.18	1.3	1.3	1.3	1.3	1.3	1.3

Parts	Material	Plating (Micro-inch)
Spring	SK5	Tin-Zinc-Copper-Alloy 100 Over Copper 50
Washer	Brass	Tin-Zinc-Copper-Alloy 100 Over Copper 50
Retainer Ring	Brass	Tin-Zinc-Copper-Alloy 100 Over Copper 50
Gasket	Silicone	
Contact Body	Brass	Tin-Zinc-Copper-Alloy 100 Over Copper 50
Center Pin	Phosphor Bronze	Gold 10 Over Nickel 50 Over Copper 50
Insulator	Teflon	
Body	Brass	Tin-Zinc-Copper-Alloy 100 Over Copper 50
Coupling Nut	Brass	Tin-Zinc-Copper-Alloy 100 Over Copper 50

Weight: 43.29 g

Notice: JYEBAO reserves the right to make modifications deemed appropriate.