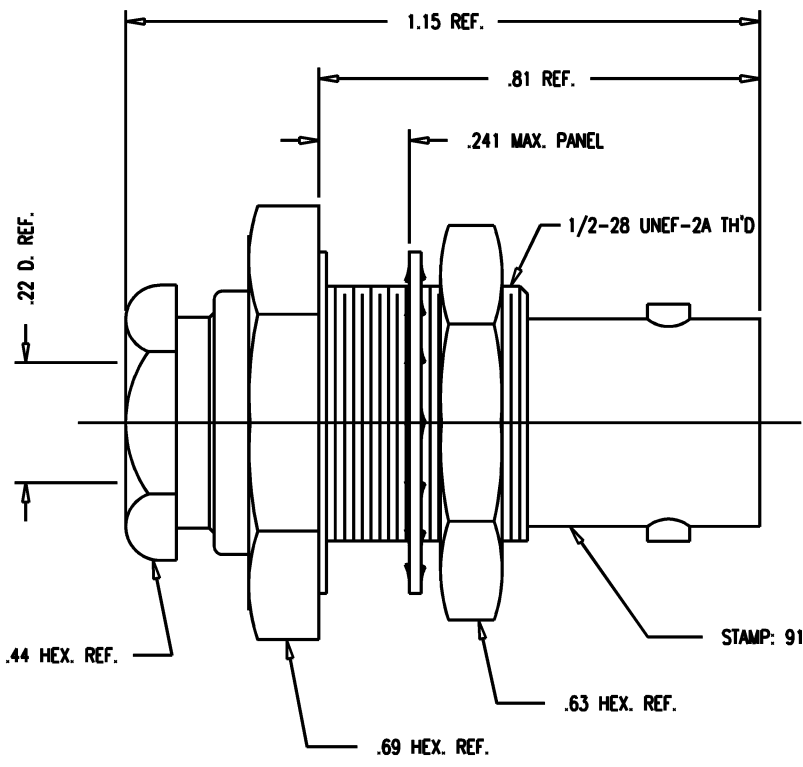


DASH NO.	M CODE	MADE FROM
----------	--------	-----------

GSD

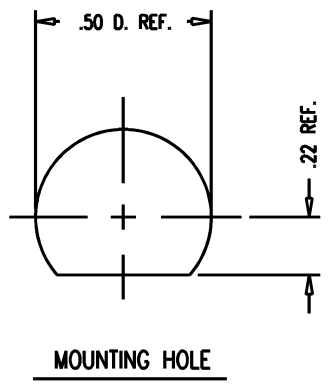
M39012/19-0101

REVISIONS	
ISSUE	CHANGES
4	CN 32279 A LNM 14 JUN 90
5	CN 32904 C KH 03/18/91



STAMP: 91836 M39012/19-0101
 KC-19-282 XXXX
 DATE CODE

- NOTES:
- FOR USE WITH RG-58, 141, 142, 223 AND 400/U CABLE.
 - FOR CABLING INSTRUCTIONS SEE CP-1050.
 - MATERIALS:
 INSULATORS-TEFLON, ASTM-D-1457
 GASKETS-SILICONE RUBBER, ZZ-R-765
 LOCKWASHER-PHOSPHOR BRONZE, QQ-B-750
 CENTER CONTACT- BER. COP., ASTM-B-196 C17300
 ALL OTHER METAL PARTS-BRASS, QQ-B-626
 - FINISHES:
 CENTER CONTACT-GOLD PLATE PER MIL-G-45204
 ALL OTHER METAL PARTS-SILVER PLATE PER QQ-S-365
 - ELECTRICAL CHARACTERISTICS:
 NOMINAL IMPEDANCE-50 OHMS
 FREQUENCY RANGE-DC TO 4 GHZ
 WORKING VOLTAGE-500 VRMS



GSD

SCALE 4:1	
APPROX SURFACE AREA	
KC-19-282	
USED ON	
REF:	
JACK, BULKHEAD, BNC	
DRAWN KH	DATE 07/13/90
DESIGN MJB	DATE 07/17/90
APPR.	DATE
KINGS ELECTRONICS CO., INC. TUCKAHOE, NEW YORK 10707	
M39012/19-0101	