

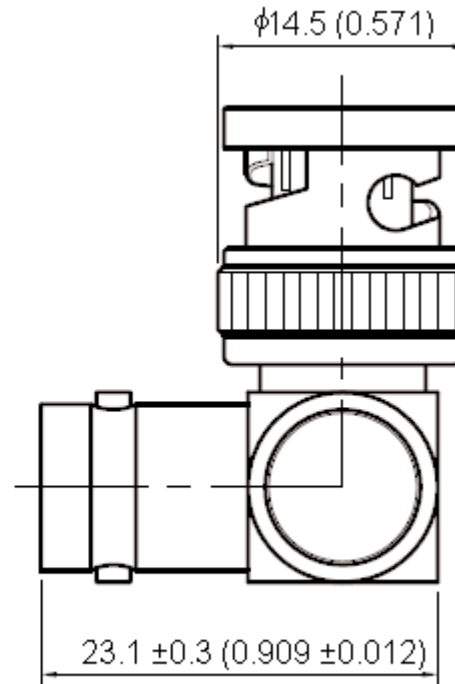
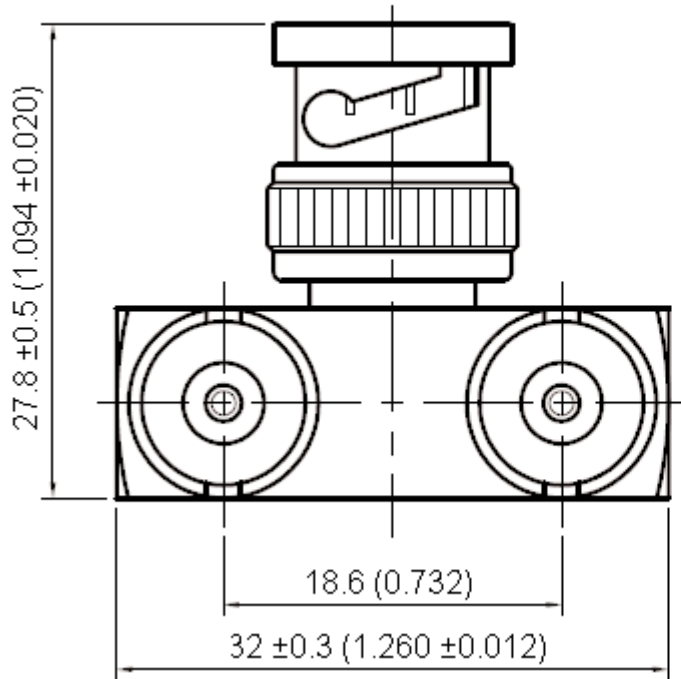


PART NO.

13-39-3-90 DEGREE

REVISIONS

ECN #	REV	DESCRIPTION	DRAWN	DATE	CHECKD	DATE	APPRVD	DATE
-	A	RELEASED	Nirosha	30/8/07	Suresh	30/8/07	G. C	14/9/07



Specifications:

Bodies : Brass per JIS-C3604.
 Centre Contact : Brass per JIS-C3604.
 Connector interface per MIL-STD-348A.
 Part to be clean and free of burrs.

Dimensions : Millimetres (Inches)

This data sheet and its contents (the "Information") belong to the Premier Farnell Group (the "Group") or are licensed to it. No licence is granted for the use of it other than for information purposes in connection with the products to which it relates. No licence of any intellectual property rights is granted. The Information is subject to change without notice and replaces all data sheets previously supplied. The Information supplied is believed to be accurate but the Group assumes no responsibility for its accuracy or completeness, any error in or omission from it or for any use made of it. Users of this data sheet should check for themselves the Information and the suitability of the products for their purpose and not make any assumptions based on information included or omitted. Liability for loss or damage resulting from any reliance on the Information or use of it (including liability resulting from negligence or where the Group was aware of the possibility of such loss or damage arising) is excluded. This will not operate to limit or restrict the Group's liability for death or personal injury resulting from its negligence. SPC MULTICOMP is the registered trademark of the Group. © Premier Farnell plc 2007.

TOLERANCES:
 UNLESS OTHERWISE SPECIFIED, DIMENSIONS ARE FOR REFERENCE PURPOSES ONLY.

DRAWN BY:	DATE:
Nirosha	30/08/07
CHECKED BY:	DATE:
Suresh	30/08/07
APPROVED BY:	DATE:
G.Cook	14/09/07

DRAWING TITLE:			
13-39-3-90 DEGREE			
SIZE	DWG NO.	ELECTRONIC FILE	REV
A	M10000432	1169556_DWG	A
SCALE: NTS		U.O.M.: mm (Inches)	SHEET: 1 OF 2



PART NO.

13-39-3-90 DEGREE

REVISIONS

ECN #	REV	DESCRIPTION	DRAWN	DATE	CHECKD	DATE	APPRVD	DATE
-	A	RELEASED	Nirosha	30/8/07	Suresh	30/8/07	G. C	14/9/07

Specification Table

Number	Description	Material	Finish	Part Number
1	Body I	Brass	Nickel	13-39-3-90 DEGREE
2	Body II			
3	Body III			
4	Centre Contact I		Gold	
5	Centre Contact II			
6	Gasket	Rubber	None	
7	Insulation	PP		
8				
9	Spring Washer	SW		
10	Shell	Brass	Nickel	
11	Washer I	FE		
12	Washer II			
13	Cap	Brass		

<http://www.farnell.com>

<http://www.newark.com>

<http://www.cpc.co.uk>

This data sheet and its contents (the "Information") belong to the Premier Farnell Group (the "Group") or are licensed to it. No licence is granted for the use of it other than for information purposes in connection with the products to which it relates. No licence of any intellectual property rights is granted. The Information is subject to change without notice and replaces all data sheets previously supplied. The Information supplied is believed to be accurate but the Group assumes no responsibility for its accuracy or completeness, any error in or omission from it or for any use made of it. Users of this data sheet should check for themselves the Information and the suitability of the products for their purpose and not make any assumptions based on information included or omitted. Liability for loss or damage resulting from any reliance on the Information or use of it (including liability resulting from negligence or where the Group was aware of the possibility of such loss or damage arising) is excluded. This will not operate to limit or restrict the Group's liability for death or personal injury resulting from its negligence. SPC MULTICOMP is the registered trademark of the Group. © Premier Farnell plc 2007.

TOLERANCES:

UNLESS OTHERWISE SPECIFIED, DIMENSIONS ARE FOR REFERENCE PURPOSES ONLY.

DRAWN BY:	DATE:
Nirosha	30/08/07
CHECKED BY:	DATE:
Suresh	30/08/07
APPROVED BY:	DATE:
G.Cook	14/09/07

DRAWING TITLE:

13-39-3-90 DEGREE

SIZE A	DWG NO. M10000432	ELECTRONIC FILE 1169556_DWG	REV A
SCALE: NTS	U.O.M.: mm (Inches)	SHEET: 2 OF 2	