

VCXO - 199EL

[MODEL]

VCXO - 199EL : ECL level crystal oscillator

[FEATURES]

- 10E ECL compatible output .
- Wide frequency range .

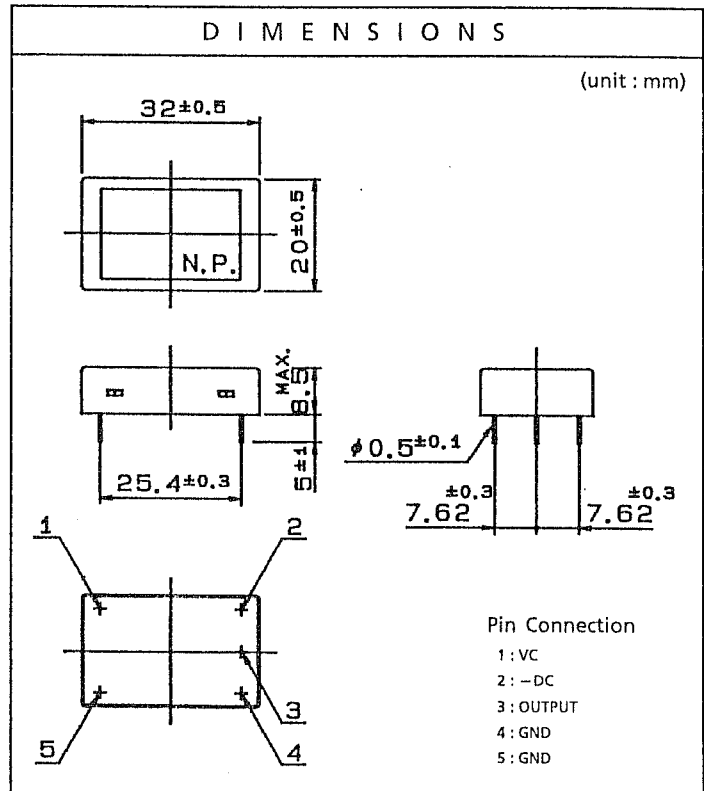
[TYPICAL APPLICATIONS]

- PLL oscillator for ISDN
- H.D. camera

[STANDARD FREQUENCIES]

- 51.84MHz , 155.52MHz
- 74.25MHz , 148.5MHz

* Please do not clean using any kind of liquid cleansing method.



[SPECIFICATIONS]

MODEL		VCXO - 199EL
Frequency range		30 MHz to 160 MHz
Storage temperature range		-20°C to +80°C
Operating temperature range		0°C to +70°C
Frequency temperature characteristics		$\pm 30 \times 10^{-6} \text{ max. / } 0^\circ\text{C to } +70^\circ\text{C}$
Frequency aging		$\pm 5 \times 10^{-6} \text{ max. / year}$
Supply voltage change		$\pm 4 \times 10^{-6} \text{ max. / } -5.2\text{V} \pm 5\%$
Frequency deviation		$\mp 120 \times 10^{-6} \text{ min. / } -2.5\text{V} \pm 2.5\text{V (negative)}$
Power supply	Voltage	-5.2V \pm 5%
	Current	50 mA max.
Output	Level	ECL 10E
	Load	ECL 10E (50Ω -2V Pull Down)
	Symmetry	45% to 55% at -1.3V Point (Square wave)
Input impedance		100 kΩ min.

- ※ If specifications does not meet your requirements.
We will design a unit to your requirements.
- ※ All specifications and details published are subject to change without notice.