

RED INDICATES ORIGINAL

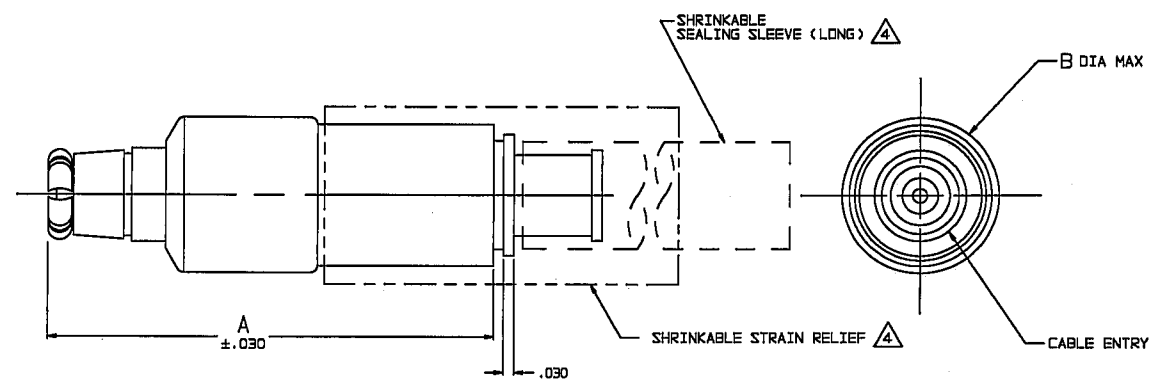
DATA CONTAINED IN THIS DOCUMENT IS PROPRIETARY TO TROMPETER ELECTRONICS, INC. AND SHALL NOT BE DISCLOSED, COPIED OR USED FOR REPRODUCTION OR MANUFACTURE WITHOUT EXPRESS WRITTEN PERMISSION.

| REVISIONS | | | 310-0059 | SH 1 | |
|-----------|-------|----------------------------|----------|----------|-----------|
| REV | ED | DESCRIPTION | OWN | APPROVED | DATE |
| J | 12389 | ADDED -224 & -225; SEE ECO | DBN | IAM | MM 5/8/98 |

| DASH NO | CABLES ACCOMMODATED | A DIM | B DIA | C HEX | ASSEMBLE PER |
|---------|----------------------|-------|-------|-------|--------------|
| -201 | M17/176-00002 | | | | |
| -202 | TWC-78-1 | | | | |
| -203 | TWC-124-1A | 1.053 | .339 | .255 | TAI-143 |
| -204 | 10502, RAYCHEM | | | | |
| -205 | TWC-78-1F2 | | | | |
| -206 | 782800130, RAYCHEM | | | | |
| -207 | 83310 BELDEN | 1.258 | .442 | .344 | TAI-167 |
| -208 | 202-3927 MICRODOT | 1.053 | .339 | .255 | TAI-143 |
| -209 | 202-3942 MICRODOT | | | | |
| -210 | 8451 BELDEN | | | | TAI-167 |
| -211 | 202-3934 MICRODOT | | | | |
| -212 | 2524E0114, RAYCHEM | | | | |
| -213 | TWC-78-2 | 1.258 | .442 | .344 | TAI-144 |
| -214 | TWC-124-2 | | | | |
| -215 | BL-982 TIMES | | | | |
| -216 | BL-1242 TIMES | | | | |
| -217 | GC875TM24H, GRUMMAN | | | | |
| -218 | EPD 22188B, RAYCHEM | | | | |
| -219 | 252801114, RAYCHEM | | | | |
| -220 | GC875RR1, GRUMMAN | 1.053 | .339 | .255 | TAI-143 |
| -221 | 10514, RAYCHEM | | | | |
| -222 | 10513, RAYCHEM | | | | |
| -223 | HMS2-1149, HUGHES | | | | |
| -224 | TWCP-124-3 | 1.258 | .442 | .344 | TAI-144 |
| -225 | PS865PL, PRIME STOCK | | | | |

| DASH NO | CABLES ACCOMMODATED | A DIM | B DIA | C HEX | ASSEMBLE PER |
|---------|------------------------------------|-------|-------|-------|--------------|
| -301 | GC875GC1, GRUMMAN | | | | |
| -302 | | 1.053 | .339 | .255 | TAI-153 |
| -303 | 7528A5314, RAYCHEM | | | | |
| -304 | | | | | |
| -305 | M17/177-00001 295-3804 MICRODOT | 1.258 | .442 | .344 | TAI-173 |
| -306 | TRC-50-2 M17/134-00002 | | | | |
| -307 | TRC-75-1 | 1.258 | .442 | .344 | TAI-198 |

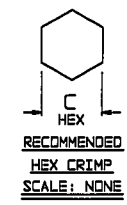
| INCH | MM |
|-------|-------|
| .005 | 0.13 |
| .030 | 0.76 |
| .255 | 6.48 |
| .339 | 8.61 |
| .344 | 8.74 |
| .442 | 11.23 |
| 1.00 | 25.40 |
| 1.053 | 26.75 |
| 1.25 | 31.75 |
| 1.258 | 31.98 |
| 1.75 | 44.45 |



- 1 SHRINKABLE STRAIN RELIEF AND/OR SHRINKABLE SEALING SLEEVE SUPPLIED LOOSE AS FOLLOWS:
- CABLE GROUPS -207, -210 & -307:
1 SHRINKABLE STRAIN RELIEF (1.00 LONG)
1 SHRINKABLE SEALING SLEEVE (1.25 LONG)
 - CABLE GROUPS -201 THROUGH -206, -208, -209, -217 THROUGH -219, -221 THROUGH -223, -301 & -303:
1 SHRINKABLE SEALING SLEEVE (1.25 LONG)
 - CABLE GROUPS -211 THROUGH -216, -305 & -306:
1 SHRINKABLE STRAIN RELIEF (1.75 LONG)
- PUSH ON SUBMINIATURE CONCENTRIC TWINAX (4 PIECE ASSY) AND TRIAX (6 PIECE ASSY), FULL CRIMP CABLE PLUG
 - FINISH: TFS-1A (NICKEL)
 - ALL DIM ARE IN INCHES

-207 SHOWN

- EXAMPLE OF COMPLETE MODEL NO:
PL153AC -201
BASIC MODEL NO. CABLE GROUP DASH NO
- EXAMPLE OF COMPLETE PART NO:
310-0059 -201
BASIC PART NO. CABLE GROUP DASH NO



| QTY | DESCRIPTION | PART NUMBER | ITEM |
|----------------------|-----------------|-------------|--------------|
| TD, UNLESS SPECIFIED | | | |
| .XX ± .03 | | | |
| .XXX ± .005 | | | |
| XXXG | | | |
| ANGLE: | | | |
| OWN | DBN 4/15/98 | MATERIAL | CODE IDENT |
| CHK | IAM 4-20-98 | 14949 | DRAWING NO. |
| ENGR | | | 310-0059 |
| NEXT ASSY | APPR IAM 5/8/98 | SCALE 4/1 | DATE 6-8-95 |
| | | | SHEET 1 OF 2 |