

Thin-Trim® Trimmer Capacitors

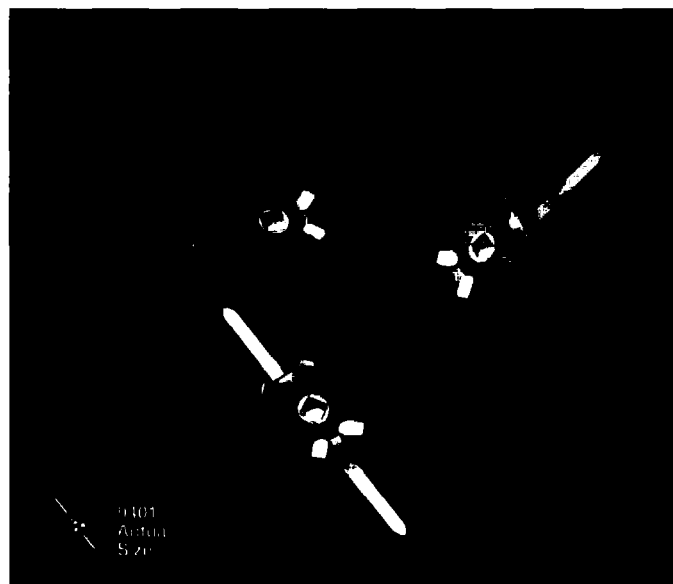
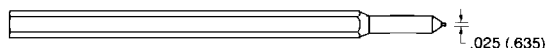
The Thin-Trim® 9401 series capacitors are an advanced development in miniaturized trimmers for applications in circuits where size and performance are critical. These one-half turn ceramic capacitors feature high Q performance up to 2 gigahertz and beyond.

The 9401 series construction incorporates a butterfly electrode pattern which provides a series parallel capacitor with extremely low ESR and ESL. Johanson's square drive tuning mechanism insures captive, non-slip, tamper-proof adjustments eliminating backlash problems.

Characteristics

- Rated voltage: 250 VDC (test voltage 500 VDC)
- Insulation resistance: $>10^4$ meg Ω
- Operating temperature range: -55°C to $+125^\circ\text{C}$
- Torque: 0.05 to 0.5 oz. in.
- Vibration: 15 g, 10-2000 Hz
- Shock: 100 g, 6 milliseconds
- Setting drift: $<1\%$
- Moisture resistance: MIL-STD-202, Method 106
- Resistant to soldering heat: MIL-STD-202, Method 210, Test C
- Solderability: MIL-STD-202, Method 208
- Resistant to cleaning solvents: MIL-STD-202, Method 215
- Conforms with specification MIL-C-81

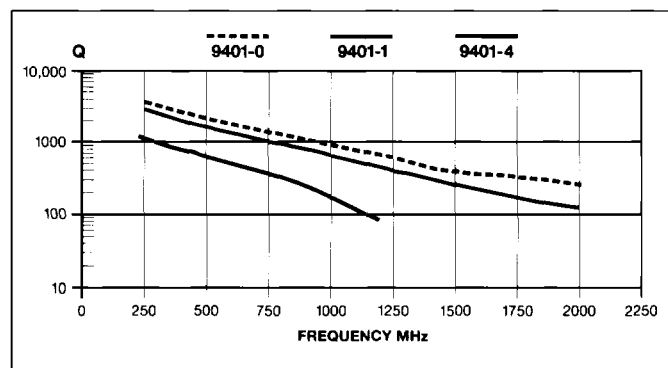
JMC Square Drive Tuning Tool 4192

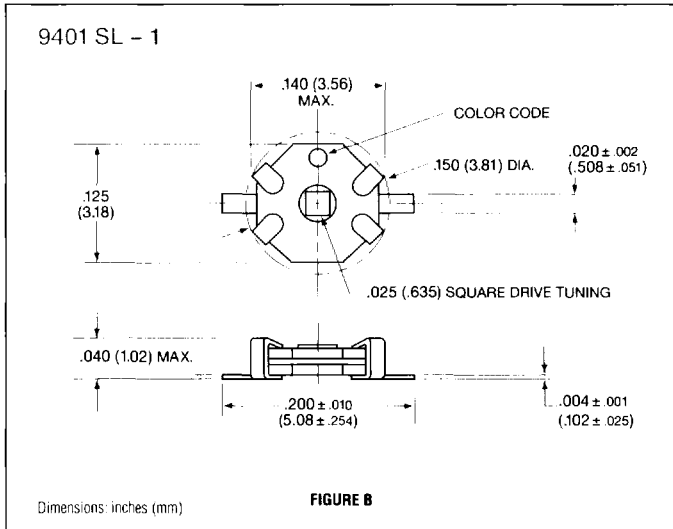
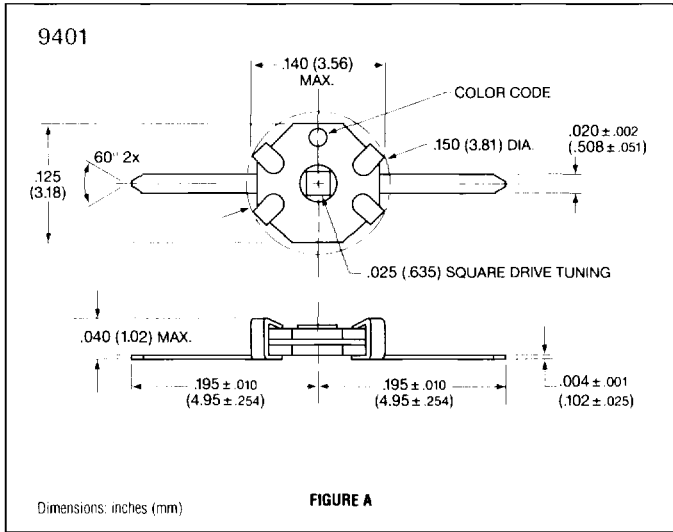


Specifications

JMC P/N	RANGE pF	TC PPM/ $^\circ\text{C}$	MIN. Q @ 100 MHz	COLOR CODE	DRAWING FIGURE
9401-0	0.25 to 0.7	50 ± 50	>1000	Red	A
9401-0SL -1	0.25 to 0.7	50 ± 50	>1000	Red	B
9401-1	0.5 to 1.3	$\text{NPO} \pm 100$	>1000	Black	A
9401-1SL -1	0.5 to 1.3	$\text{NPO} \pm 100$	>1000	Black	B
9401-2	0.6 to 2.0	-400 ± 200	>1000	Blue	A
9401-2SL -1	0.6 to 2.0	-400 ± 200	>1000	Blue	B
9401-4	1.5 to 4.0	-1100 ± 300	>500	Brown	A
9401-4SL -1	1.5 to 4.0	-1100 ± 300	>500	Brown	B

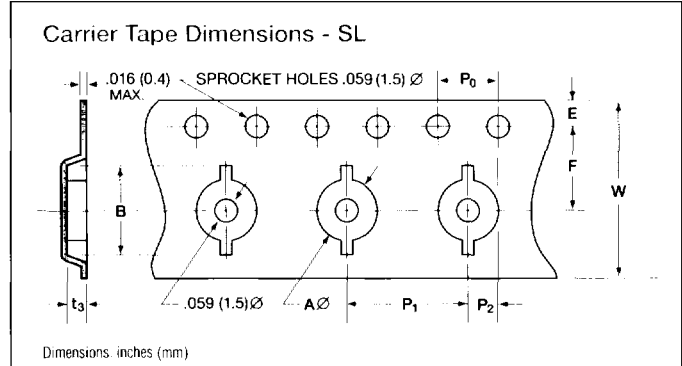
Q Performance





Packaging

Johanson standard tape and reel packaging is available for SL products in quantities of 1,500 or 6,000 pieces per reel.



A ₀	B	W	E	F	P ₀	P ₁	P ₂	t ₃
.157"	.230"	.472"	.069"	.216"	.157"	.315"	.079"	.051"
4.0 mm	5.85 mm	12.0 mm	1.75 mm	5.5 mm	4.0 mm	8.0 mm	2.0 mm	1.3 mm

Add suffix to JMC P/N for reel packaging: **R3** = 1500 pieces **R4** = 6000 pieces

Prototyping Kit

JMC KIT JK-941	QUANTITY	RANGE pF
9401-0	5	0.25 to 0.7
9401-1	5	0.5 to 1.3
9401-2	5	0.6 to 2.0
9401-4	5	1.5 to 4.0
4192	1	Tuning Tool