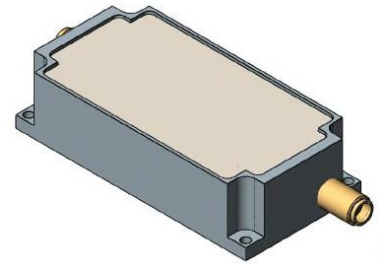


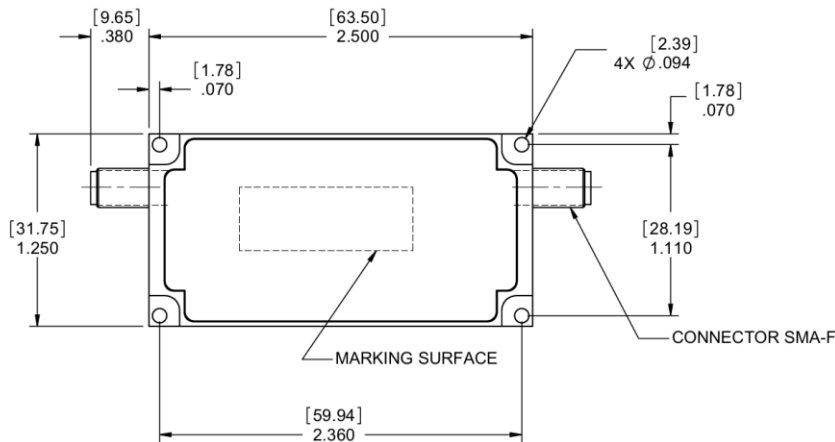
Ceramic Bandreject Filter

Features/Benefits

- Ceramic Filter
- SMA-Female Connectors
- Made in U.S.A.



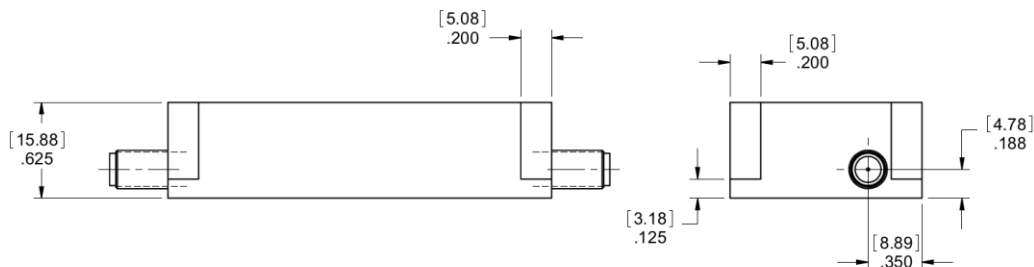
| Parameter | Specification |
|------------------------|--|
| Center Frequency (Fo) | 1000 MHz |
| Passband | 5.0 dBa max from 1 MHz to 993 MHz 5.0 dBa max from 1007 MHz to 2000 MHz |
| Return Loss | 15 dB from 1 MHz to 993 MHz 15 dB from 1007 MHz to 2000 MHz |
| Rejection | -45 dBc min from 999.5 MHz to 1000.5 MHz |
| Temperature, Operating | -20°C to +70°C |
| Temperature, Storage | -55°C to +125°C |
| Temperature, Soldering | +215°C MAX (use convective reflow) |
| Mechanical Dimensions | 2.500 x 1.250 x 0.625 inches [63.50 x 31.75 x 15.88 mm] (L X W X H) |



UNLESS OTHERWISE SPECIFIED
DIMENSIONS ARE IN INCHES.

TOLERANCES ARE:

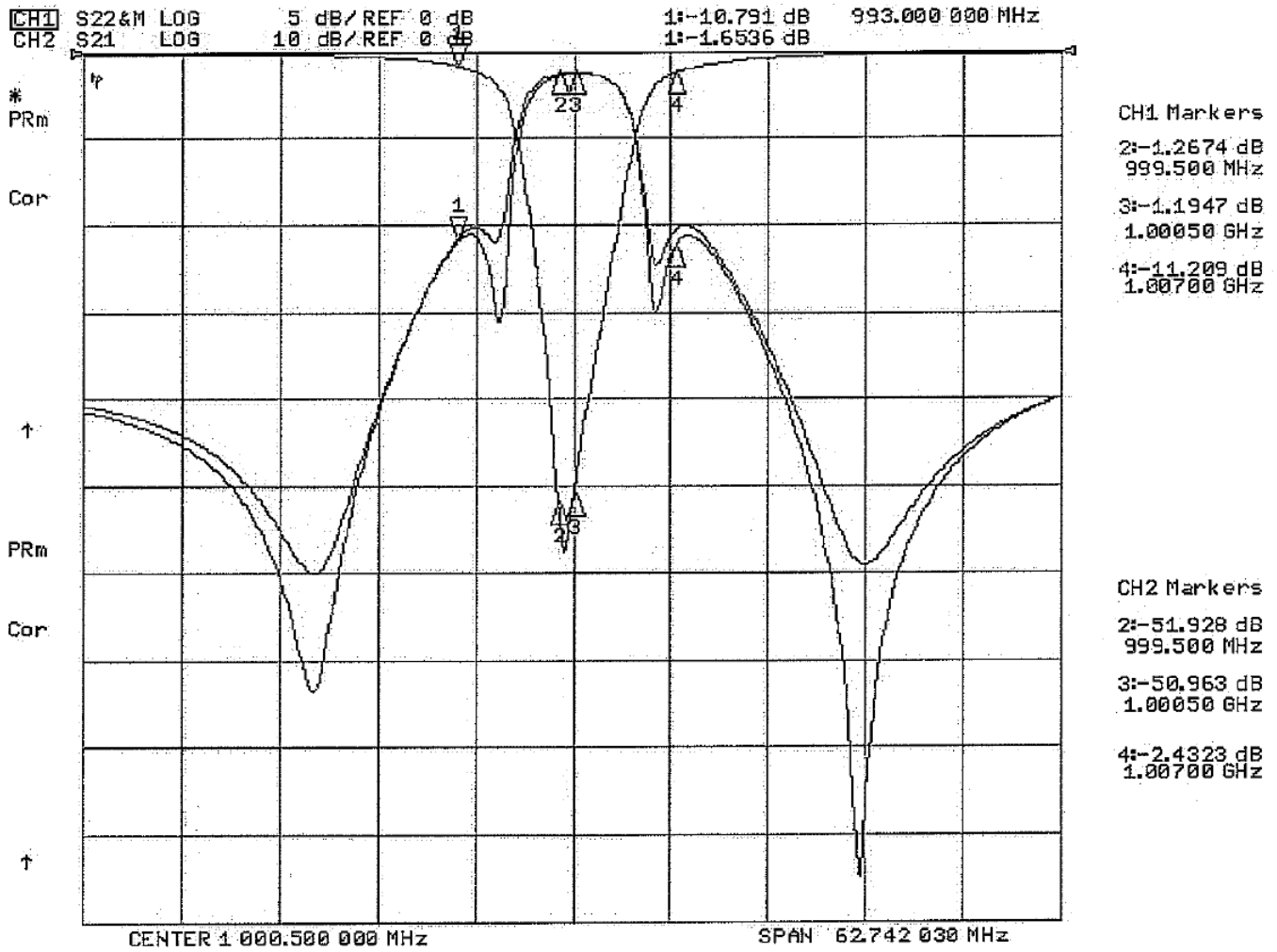
| INCHES | MILLIMETERS |
|---------------|----------------|
| .XX ± .02 | [X.X] ± .5 |
| .XXX ± .010 | [X.XX] ± .25 |
| .XXXX ± .0020 | [X.XXX] ± .051 |



This document contains proprietary information and is to be used only for the purposes for which it has been supplied and is not to be duplicated or disclosed in whole or in part without written permission from a duly authorized representative of Knowles.

Phone: 1-315-655-8710 • Email: KPD-NA-sales@knowles.com • www.knowlesc capacitors.com

Product and product information are subject to change without notice.



This document contains proprietary information and is to be used only for the purposes for which it has been supplied and is not to be duplicated or disclosed in whole or in part without written permission from a duly authorized representative of Knowles.

Phone: 1-315-655-8710 • Email: KPD-NA-sales@knowles.com • www.knowlescapacitors.com

Product and product information are subject to change without notice.