



Please enter U&T part number for

Popular Searches: [UTH20C01](#) [UTH16P05](#) [UTG18T01](#) [UTG96T01](#) [UTT24C01](#)

## Products List

[100 Base-T](#)

[1000 Base-T](#)

[2.5/5/10G Base-T](#)

→ [2.5G Base-T](#)

→ [2.5G](#)

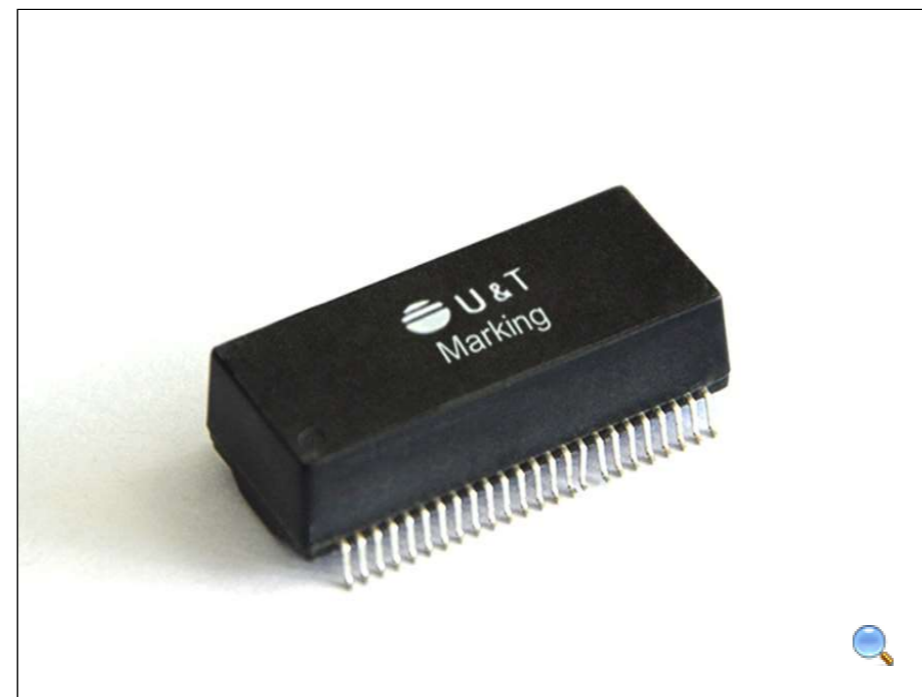
→ [2.5G POE](#)

→ [2.5G UPOE](#)

→ [5G Base-T](#)

→ [10G Base-T](#)

Your present location: [Home](#) >> [2.5/5/10G Base-T](#) >> [5G Base-T](#) >> [UTV48C50](#)



Name: UTV48C50

No.: [UTV48C50](#)

Views : [42](#)



[Browse similar products](#)

Previous [UTV24C50](#)

Page :

**Details**



**5G BASE-T DUAL PORT MAGNETICS MODULE**

**P/N: UTV48C50 DATA SHEET**

Page : 1/1

**Feature**

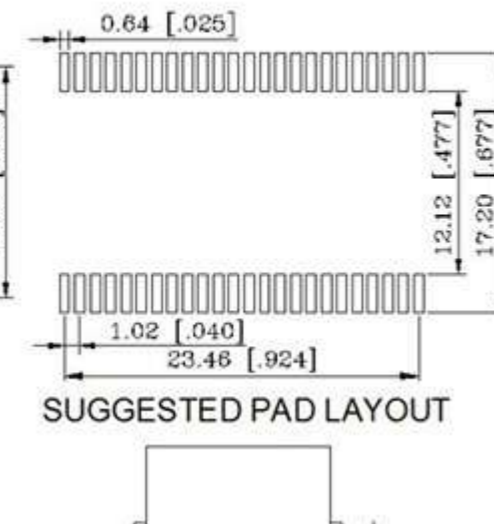
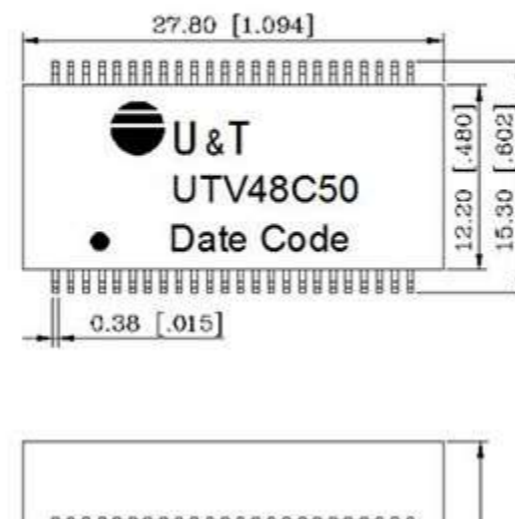
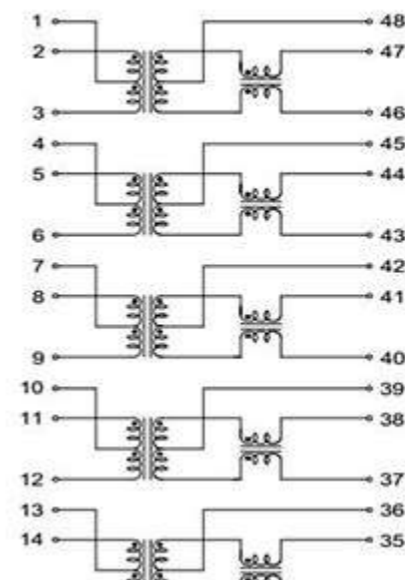
- 5G BASE-T Ethernet Magnetics
- Comply with RoHS requirements.
- Operating temperature range: 0°C to +70°C.

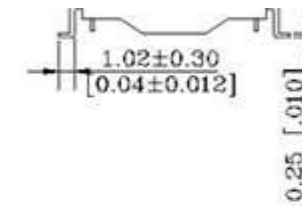
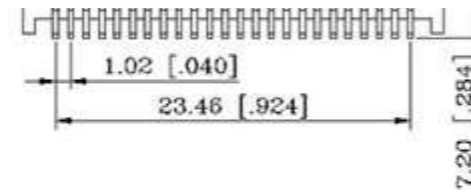
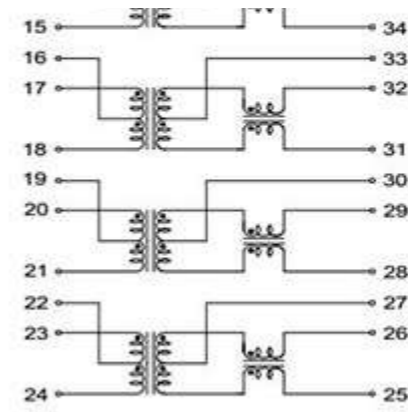
**Electrical Specifications @ 25°C**

OCL:	180uH Min. @100KHz/0.1V with 8mA DC Bias
Hi-POT :	1500Vrms
Turn Ratio:	1:1±3%
D.C.R:	1.0 ohm Max
Insertion Loss:	1.0dB Max@1-125MHz
	2.5dB Max@125-250MHz
Cross Talk :	30dB Min@1-250MHz
DM-CM Rejection	30dB Min@1-125MHz
	20dB Min@125~250MHz
CM-DM Rejection	30dB Min@1-125MHz
	20dB Min@125~250MHz
Return Loss:	16dB Min @1-40MHz
	16-10log(f/40MHz)dB Min@40-250MHz

**Schematic**

**Mechanical**





- 1.Unless otherwise specified, all tolerances are  $\pm 0.25[.01]$
- 2.Coplanarity:  $0.1[.004]$
- 3.Unit mm[inch]

[Http://www.utlimited.com](http://www.utlimited.com)

E-mail:[sales@utlimited.com](mailto:sales@utlimited.com)

Tel:+86-752-2761008

Fax:+86-752-2761009

Key words :

LINK:

U&T HL TECHNOLOGY GROUP LIMITED



ADD: Honglin Industrial Park, Dongjiang Hi-tech Zone, Huicheng District, Huizhou City, Guangdong Province, P.R.C.  
 Zip Code: 516000  
 TEL: 0752-2761008  
 FAX: 0752-2761009  
 Email: [sales@utlimited.com](mailto:sales@utlimited.com)

### About Us

Company Profile  
 Development  
 Company Culture  
 Enterprise Honor

### Products

2.5&5&10G Base-T  
 100 Base-T  
 1000 Base-T

### Brand Value

R & D Advantage  
 Advantages  
 Quality  
 Certification

### News

Company News  
 Industry Information

### Recruitment

Positions

### Contact

Contact Us  
 Map  
 Messages