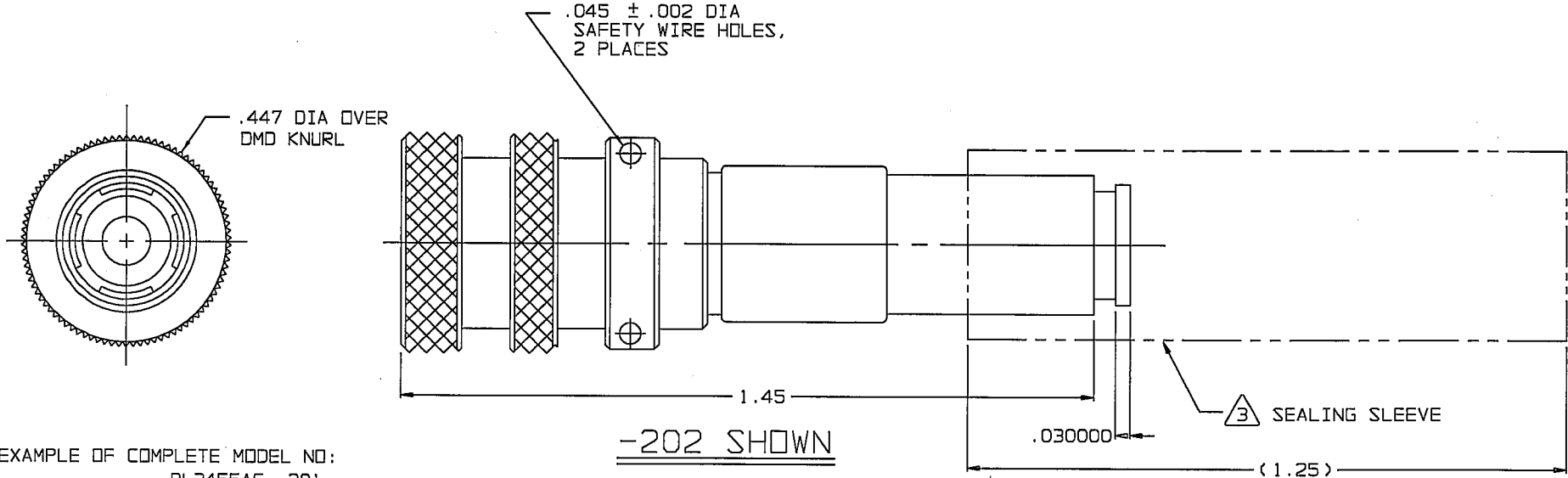


CABLE GROUP NO	CABLES ACCOMMODATED	ASSEMBLE PER
-201	M17/176-00002	TAI-162
-202	TWC-7B-1, TROMPETER	
-203	TWC-124-1A, TROMPETER	
-204	10602, RAYCHEM	
-205	TWAC-7B-1F2, TROMPETER	
-206	7826D0130, RAYCHEM	
-208	202-3927, MICRODOT	
-209	202-3942, MICRODOT	
-212	2524E0114, RAYCHEM	
-217	GC875TM24H, GRUMMAN	
-218	EPD2218BB, RAYCHEM	
-219	2526D1114, RAYCHEM	
-220	GC875RR1, GRUMMAN	
-221	10614, RAYCHEM	
-222	10613, RAYCHEM	
-223	HMS2-1149, HUGHES	TAI-190
-303	7528A5314, RAYCHEM	

DATA CONTAINED IN THIS DOCUMENT IS PROPRIETARY TO TROMPETER ELECTRONICS INC. AND SHALL NOT BE DISCLOSED, COPIED OR USED FOR PROCUREMENT OR MANUFACTURE WITHOUT EXPRESS WRITTEN PERMISSION OF TROMPETER ELECTRONICS INC.

REVISIONS		8-2554	SH 1
REV	DESCRIPTION	DATE	APPROVED
H	REVISED PER ECO #15632	9-8-04	WJ

RED INDICATES ORIGINAL



5. EXAMPLE OF COMPLETE MODEL NO:
PL3455AC -201
 BASIC MODEL NO — CABLE GROUP NO
 (SEE TABLE)
4. EXAMPLE OF COMPLETE PART NO:
8-2554 -201
 BASIC PART NO — CABLE GROUP NO
 (SEE TABLE)

3. CRIMP BUSHING AND SEALING SLEEVE SUPPLIED LOOSE WITH EACH BODY ASSY, EXCEPT SEALING SLEEVE NOT USED ON -205, -208 & -223
2. FINISH: TFS-1U (500 HOURS SALT SPRAY; NICKEL)
1. ALL DIM ARE IN INCHES

INTERPRET DRAWING PER MIL-STD-100 DIMENSIONS ARE IN INCHES AND INCLUDE FINISH THICKNESS UNLESS OTHERWISE SPECIFIED		TOL: UNLESS SPECIFIED .XX ± .03 .XXX ± .005 .XXXX	
DRAWN PD	DATE 8-31-04	MATERIAL:	ANGLES
CHECKED AMack	DATE 8/31/04	FINISH:	
QUALITY MS	DATE 9/7/04		
HANDP BP	DATE 9/2		
APPROVED WJ	DATE 9/1/04		
CAD FILE NO. 8-2554H			



TITLE: PL3455AC BODY ASSY			
SIZE	CAGE CODE	DRAWING NO.	REV.
A	14949	8-2554	H
SCALE	DATE:	SHEET	1C
4/1	10-7-87		

310-0067	NEXT ASSY
----------	-----------

DO NOT SCALE DWG