

7523D1331-0 ✓ ACTIVE

Raychem

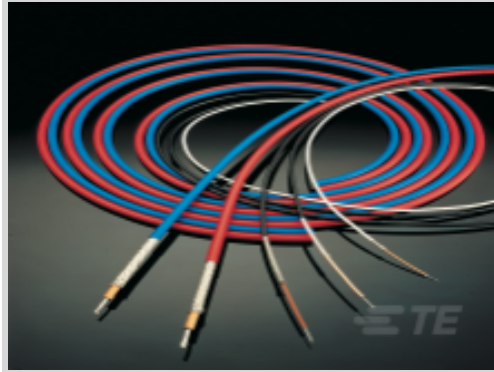
TE Internal #: 4308863001

High Speed Digital & Data Cable, Cheminax, 75  $\Omega$ , 23AWG Wire Size, Operating Temperature Range -65 – 125  $^{\circ}\text{C}$  [-85 – 257  $^{\circ}\text{F}$ ]

[View on TE.com >](#)



Wire & Cable > High Speed Digital & Data Cable



High Speed Digital & Data Cable Type: **Cheminax**

Impedance: **75  $\Omega$**

Wire Size: **23 AWG**

Operating Temperature Range: **-65 – 125  $^{\circ}\text{C}$  [-85 – 257  $^{\circ}\text{F}$ ]**

## Features

### Product Type Features

Product Classification	Cable - Coaxial
Cable Style	Round Braided
Wire/Cable Type	Coaxial Cable
Product Type	Cable
High Speed Digital & Data Cable Type	Cheminax

### Electrical Characteristics

	20.5 pF/ft
Impedance	75 $\Omega$

### Signal Characteristics

Velocity of Propagation	67%
-------------------------	-----

### Body Features

Shield Material	Tin-Plated Copper
Shield Style	Single
Jacket Color	Black
Conductor Material	Tin-Plated Copper
Jacket Material	Thermorad

### Dimensions

Overall Outside Diameter	6.12 mm [.241 in]
--------------------------	-------------------



Cable Dielectric Diameter	3.68 mm[.145 in]
---------------------------	------------------

Wire Diameter	.58 mm[.023 in]
---------------	-----------------

Wire Size	23 AWG
-----------	--------

### Usage Conditions

Operating Temperature Range	-65 – 125 °C[-85 – 257 °F]
-----------------------------	----------------------------

### Other

Wire Source	United Kingdom
-------------	----------------

Dielectric Material	Rayolin
---------------------	---------

### Product Compliance

[For compliance documentation, visit the product page on TE.com>](#)

EU RoHS Directive 2011/65/EU	Compliant
------------------------------	-----------

EU ELV Directive 2000/53/EC	Not Yet Reviewed
-----------------------------	------------------

China RoHS 2 Directive MIIT Order No 32, 2016	No Restricted Materials Above Threshold
---	---

EU REACH Regulation (EC) No. 1907/2006	Current ECHA Candidate List: JUN 2020 (209) Candidate List Declared Against: JAN 2020 (205) Does not contain REACH SVHC
--	---

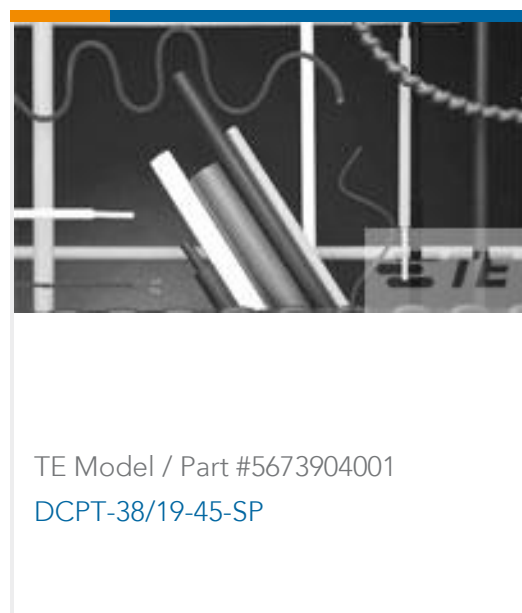
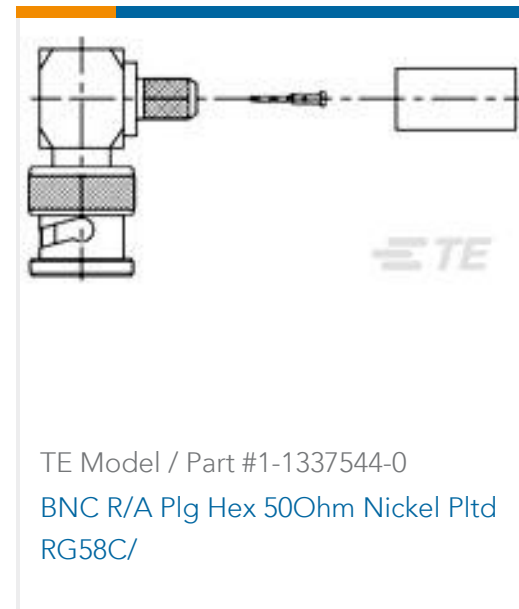
Halogen Content	Out of Scope - excluded from Halogen requirements
-----------------	---

Solder Process Capability	Not applicable for solder process capability
---------------------------	--

#### Product Compliance Disclaimer

This information is provided based on reasonable inquiry of our suppliers and represents our current actual knowledge based on the information they provided. This information is subject to change. The part numbers that TE has identified as EU RoHS compliant have a maximum concentration of 0.1% by weight in homogenous materials for lead, hexavalent chromium, mercury, PBB, PBDE, DBP, BBP, DEHP, DIBP, and 0.01% for cadmium, or qualify for an exemption to these limits as defined in the Annexes of Directive 2011/65/EU (RoHS2). Finished electrical and electronic equipment products will be CE marked as required by Directive 2011/65/EU. Components may not be CE marked. Additionally, the part numbers that TE has identified as EU ELV compliant have a maximum concentration of 0.1% by weight in homogenous materials for lead, hexavalent chromium, and mercury, and 0.01% for cadmium, or qualify for an exemption to these limits as defined in the Annexes of Directive 2000/53/EC (ELV). Regarding the REACH Regulation, the information TE provides on SVHC in articles for this part number is based on the latest European Chemicals Agency (ECHA) 'Guidance on requirements for substances in articles' posted at this URL: <https://echa.europa.eu/guidance-documents/guidance-on-reach>

### Customers Also Bought



## Documents

### Datasheets & Catalog Pages

[1654025\\_Sec9\\_CheminaxCables](#)

English

### Raychem Cheminax RF Coaxial Cables and RF Connectors Selection Guide

English

### Product Specifications

#### Product Specification

English