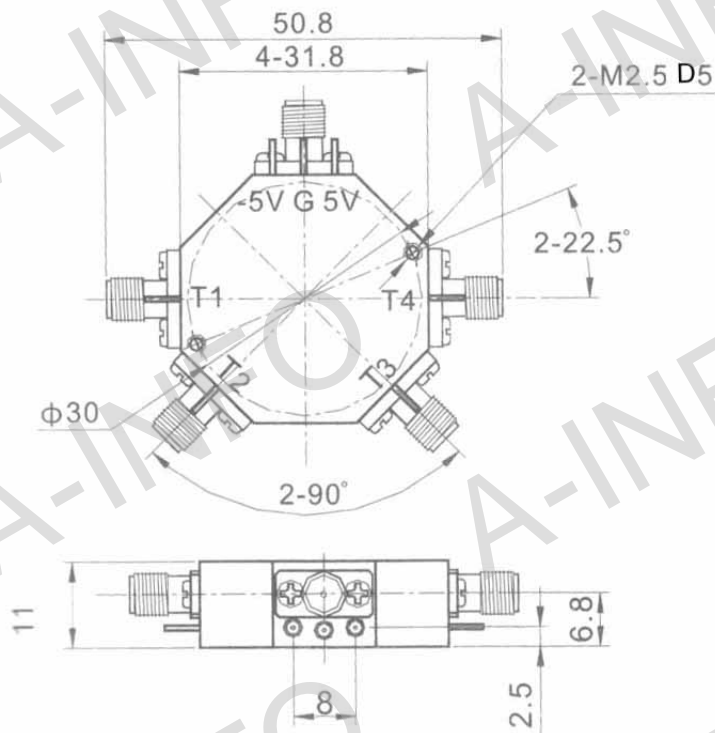


Outline Drawing (Size: mm)

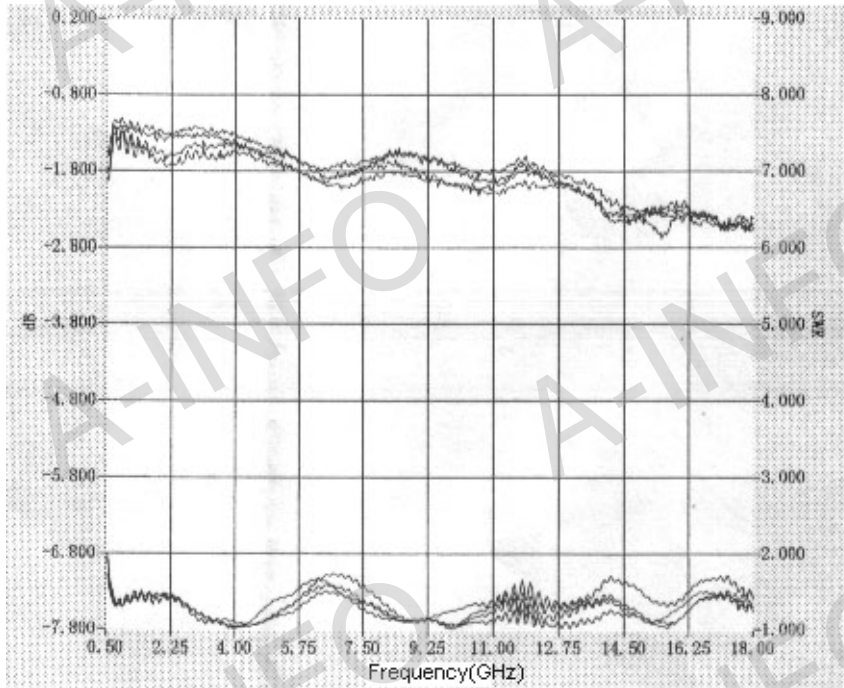


Technical Specification

| Item | Technical Specification |
|---------------------------|-------------------------|
| Frequency Range(GHz) | 0.5-18 |
| Insertion Loss(dB) | 3.8 max |
| Isolation(dB) | 60 min |
| VSWR | 2.0 max |
| Switching Speed(ns) | 50 |
| Power Handling(W) | 0.2 CW max |
| Operating Temperature(°C) | -55 ~ +85 |
| Storage Temperature(°C) | -65 ~ +125 |

Test Results

1. Insertion Loss



2. Isolation

