



**RADIALL**  
Coaxial connectors

TECHNICAL DATA

R 203 553

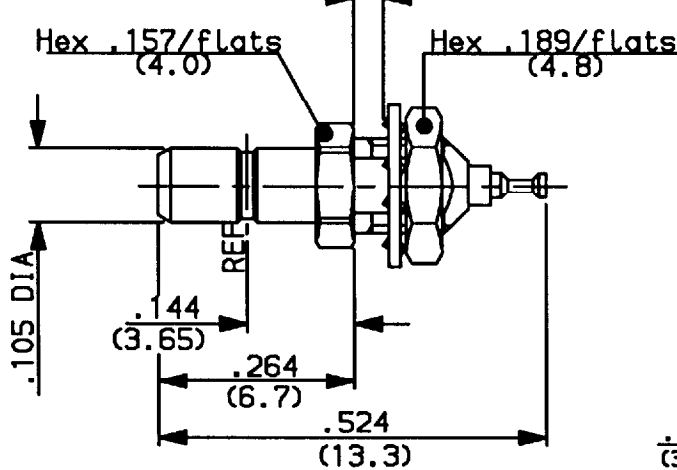
Issue : 9140

Page

STRAIGHT BULKHEAD RECEPTACLE  
FRONT MOUNT

SERIES: SSMB 1 / 1

Panel thick. .067max(1.7)



MOUNTING HOLE

CHARACTERISTICS

NOMINAL IMPEDANCE	50 $\Omega$
FREQUENCY RANGE	0-4 GHz
TEMPERATURE RATING	-65/+165 °C
VSWR	NA Max
RF INSERTION LOSS	NA /F dB MaxI
VOLTAGE RATING	250 V <sub>rms</sub> MaxI
DIELECTRIC WITHSTANDING VOLTAGE	500 V <sub>rms</sub> minI
INSULATION RESISTANCE	1000 M $\Omega$ minI
HERMETIC SEAL	NA cc/s - Atm.cm <sup>3</sup> /s
LEAKAGE (pressurized only)	NA psi - MPa

STANDARDISATION

MIL STD 348A  
CEI 169-19  
CECC 22170

CABLE RETENTION

NA Lb minI  
- N

CENTER CONTACT RETENTION

Axial force - mating end 2.0 Lb minI  
8.9 N  
Axial force - opposite end 2.0 Lb minI  
8.9 N  
Torque (Min) NA Inch.oz  
- cm.N

RECOMMENDED TORQUES

Mating NA Inch. Lb  
- cm.N  
Panel nut 2.2125 Inch. Lb  
25 cm.N  
Clamp nut NA Inch. Lb  
- cm.N

CONSTRUCTION

CONNECTOR PARTS	MATERIALS	FINISH
BODY	BRASS	GOLD
OUTER CONTACT	BRASS	GOLD
CENTER CONTACT	BERYLLIUM COPPER	GOLD
INSULATORS	PTFE	-
-	-	-
-	-	-
-	-	-
-	-	-
-	-	-