



# Low Voltage FM Narrowband Receiver

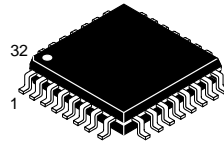
... with single conversion circuitry including oscillator, mixer, IF amplifiers, limiting IF circuitry, and quadrature discriminator. The MC3374 is perfect for narrowband audio and data applications up to 75 MHz which require extremely low power consumption. Battery powered applications down to  $V_{CC} = 1.1\text{ V}$  are possible. The MC3374 also includes an on-board voltage regulator, low battery detection circuitry, a receiver enable allowing a power down Sleep-Mode™, two undedicated buffer amplifiers to allow simultaneous audio and data reception, and a comparator for enhancing FSK (Frequency Shift Keyed) data reception to 1200 baud.

- Low Supply Voltage:  $V_{CC} = 1.1$  to  $3.0\text{ Vdc}$
- Low Power Consumption:  $P_D = 1.5$  to  $5.0\text{ mW}$
- Input Bandwidth 75 MHz
- Excellent Sensitivity:  $0.5\ \mu\text{Vrms}$  for 12 dB SINAD
- Voltage Regulator Available (Source Capability 3.0 mA)
- Receiver Enable to Allow Active/Standby Operation
- Low Battery Detection Circuitry
- Self Biasing Audio Buffer
- Data Buffer
- FSK Data Shaping Comparator
- Standard 32-Lead QFP Surface Mount Package

Sleep-Mode is a trademark of Motorola, Inc.

## MC3374

### LOW VOLTAGE SINGLE CONVERSION FM RECEIVER SEMICONDUCTOR TECHNICAL DATA



**FTB SUFFIX**  
PLASTIC PACKAGE  
CASE 873  
(Thin QFP)

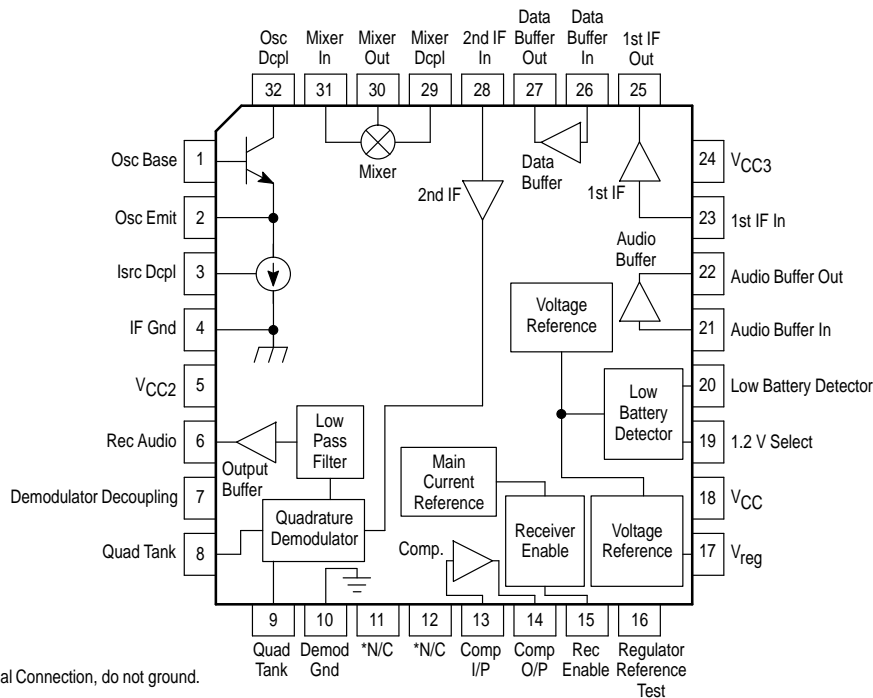
#### ORDERING INFORMATION

Device	Tested Operating Temperature Range	Package
MC3374FTB	$T_A = -10^\circ$ to $+70^\circ\text{C}$	TQFP-32

Freescale Semiconductor, Inc. ARCHIVE INFORMATION

ARCHIVE INFORMATION

#### Simplified Block Diagram



\*Internal Connection, do not ground.

This device contains 87 active transistors

# Freescale Semiconductor, Inc.

**MAXIMUM RATINGS** (Voltage with respect to Pins 4 and 10;  $T_A = 25^\circ\text{C}$ .)

Rating	Pin	Value	Unit
Supply Voltage	18	5.0	Vdc
RF Input Signal	31	1.0	Vrms
Audio Buffer Input	21	1.0	Vrms
Data Buffer Input	26	1.0	Vrms
Comparator Input	13	1.0	Vrms
Junction Temperature	–	150	$^\circ\text{C}$
Storage Temperature	–	–65 to +150	$^\circ\text{C}$

Device should not be operated at or outside these values. The "Recommended Operating Limits" provide for actual device operation.

## RECOMMENDED OPERATING CONDITIONS

Parameter	Pin	Value	Unit
Supply Voltage	18	1.1 to 3.0	Vdc
Receiver Enable Voltage	15	$V_{CC}$	Vdc
1.2 V Select Voltage	19	Open or $V_{CC}$	Vdc
RF Input Signal Level	31	0.001 to 100	mVrms
RF Input Frequency	31	0 to 75	MHz
Intermediate Frequency (IF)	–	455	kHz
Audio Buffer Input	21	0 to 75	mVrms
Data Buffer Input	26	0 to 75	mVrms
Comparator Input	13	10 to 300	mVrms
Ambient Temperature	–	–10 to 70	$^\circ\text{C}$

**ELECTRICAL CHARACTERISTICS** ( $V_{CC} = 1.3\text{ V}$ ,  $f_o = 10.7\text{ MHz}$ ,  $f_{mod} = 1.0\text{ kHz}$ , Deviation = 3.0 kHz,  $T_A = 25^\circ\text{C}$ , Test Circuit of Figure 1, unless otherwise noted.)

Characteristic	Pin	Min	Typ	Max	Unit
----------------	-----	-----	-----	-----	------

### OVERALL MC3374 PERFORMANCE

Drain Current – Pin 15 = $V_{CC}$ (Enabled) – Pin 15 = 0 Vdc (Disabled)	5 + 18 + 24 5 + 18 + 24	– –	1.6 0.5	3.0 –	mA $\mu\text{A}$
Recovered Audio (RF Input = 10 $\mu\text{V}$ )	6	13	18	30	mVrms
Noise Output (RF Input = 0 mV, 300 Hz–5.0 kHz)	6	–	1.0	–	mVrms
Input for –3.0 dB Limiting	31	–	0.6	–	$\mu\text{Vrms}$

### MIXER

Mixer Input Resistance ( $R_p$ )	31	–	1.5	–	k $\Omega$
Mixer Input Capacitance ( $C_p$ )	31	–	9.0	–	pF

### FIRST IF AMPLIFIER

First IF Amp Voltage Gain	–	–	27	–	dB
---------------------------	---	---	----	---	----

### AUDIO BUFFER

Voltage Gain	–	3.0	4.0	4.7	V/V
Input Resistance	21	–	110	–	k $\Omega$
Maximum Input for Undistorted Output (<5% THD)	21	–	64	–	mVrms
Maximum Output Swing (<5% THD)	22	–	690	–	mV <sub>pp</sub>
Output Resistance	22	–	780	–	$\Omega$

### DATA BUFFER

Voltage Gain	–	1.4	2.7	4.3	V/V
Input Resistance	26	–	9.8	–	M $\Omega$
Maximum Input for Undistorted Output (<5% THD)	26	–	100	–	mVrms
Maximum Output Swing (<5% THD)	27	–	800	–	mV <sub>pp</sub>
Output Resistance	27	–	690	–	$\Omega$

Freescale Semiconductor, Inc. ARCHIVE INFORMATION

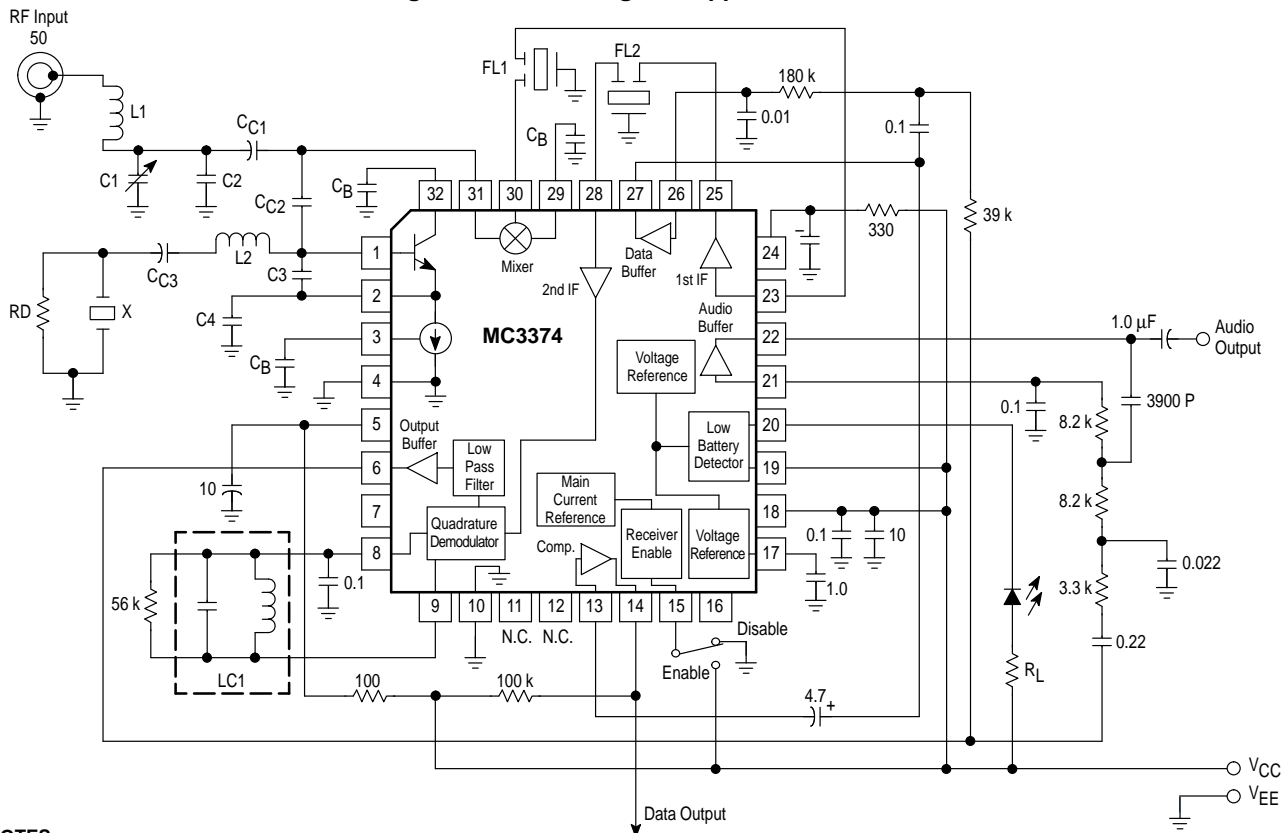
ARCHIVE INFORMATION

# Freescale Semiconductor, Inc.

**ELECTRICAL CHARACTERISTICS (continued)** ( $V_{CC} = 1.3 \text{ V}$ ,  $f_o = 10.7 \text{ MHz}$ ,  $f_{\text{mod}} = 1.0 \text{ kHz}$ , Deviation = 3.0 kHz,  $T_A = 25^\circ\text{C}$ , Test Circuit of Figure 1, unless otherwise noted.)

Characteristic	Pin	Min	Typ	Max	Unit
<b>COMPARATOR</b>					
Minimum Input for Triggering ( $R_L = 100 \text{ k}\Omega$ )	13	–	7.0	–	mVrms
Maximum Input Frequency ( $R_L = 100 \text{ k}\Omega$ )	13	–	25	–	kHz
Rise Time (10–90%; $R_L = 100 \text{ k}\Omega$ )	14	–	5.0	–	$\mu\text{s}$
Fall Time (90–10%; $R_L = 100 \text{ k}\Omega$ )	14	–	0.4	–	$\mu\text{s}$
<b>LOW BATTERY DETECTOR</b>					
Low Battery Trip Point	19	–	1.2	–	Vdc
Low Battery Output – $V_{CC} = 0.9 \text{ V}$	20	–	0.2	–	Vdc
– $V_{CC} = 1.3 \text{ V}$	20	–	$V_{CC}$	–	Vdc
<b>VOLTAGE REGULATOR</b>					
Regulated Output (see Figure 4)	17	0.95	1.07	1.15	Vdc
Source Capability	17	–	–	3.0	mA

Figure 1. MC3374 Pager IF Application Circuit



**NOTES:**

1. FL1 and FL2 are 455 kHz ceramic bandpass filters, which should have input and output impedances of 1.5 k $\Omega$  to 2.0 k $\Omega$ . Suggested part numbers are MuRata CFU455X or CFW455x – the 'X' suffix denotes bandwidth.
2. LC1 is a 455 kHz LC resonator. Recommended part numbers are Toko America RMC2A6597HM or 5SVLC-0637BGT (smaller). The evaluation board layout shown provides for use of either resonator. Ceramic discriminator elements cannot be used with the MC3374 due to their low input impedance. The damping resistor value can be raised to increase the recovered audio or lowered to increase the quadrature detector's bandwidth and linearity – practical limits are approximately 27 k $\Omega$  to 75 k $\Omega$ . Typically the quadrature detector's bandwidth should match the low IF filter's bandwidth.
3. The data buffer is set up as a low-pass filter with a corner frequency of approximately 200 Hz. The audio buffer is a bandpass filter with corner frequencies of 300 Hz and 3.0 kHz. The audio amplifier provides bass suppression.
4.  $C_{C1}$  and  $C_{C3}$  are RF coupling capacitors and should have  $\leq 20 \Omega$  impedance at the desired input and oscillator frequencies.
5.  $C_{C2}$  provides "light coupling" of the oscillator signal into the mixer, and should have a 3.0 k $\Omega$  to 5.0 k $\Omega$  impedance at the desired local oscillator frequency.
6. Capacitors labelled  $C_B$  are bypass capacitors and should have 20  $\Omega$  impedance at the desired RF and local oscillator frequencies.
7. The network of L1, C1 and C2 provides impedance matching of the mixer input (nominally 3.0 k $\Omega$  shunted by 9.0 pF) to 50  $\Omega$  at the desired RF/IF input frequency. This will allow for bench testing of the receiver from typical RF signal generators or radio service monitors, but additional or different matching will be required to maximize receiver sensitivity when used in conjunction with an antenna, RF preamplifier or mixer.

Freescale Semiconductor, Inc. ARCHIVE INFORMATION

ARCHIVE INFORMATION

In. Freq.	L1	L2	C1	C2	C3	C4	CC1/CC3	CC2	CB	RD
10.7 MHz	6.8 $\mu$ H	Short	2–82 pF	10 pF	120 pF	50 pF	1.0 nF	5.0 pF	0.1 $\mu$ F	Open
45 MHz	0.68 $\mu$ H	1.2 $\mu$ H	5–25 pF	Open	30 pF	5.0 pF	1.0 nF	1.0 pF	1.0 nF	1.0 k
72 MHz	0.22 $\mu$ H	0.22 $\mu$ H	5–25 pF	Open	18 pF	3.0 pF	470 pF	1.0 pF	470 pF	1.0 k

Figure 2. Recovered Audio versus Supply

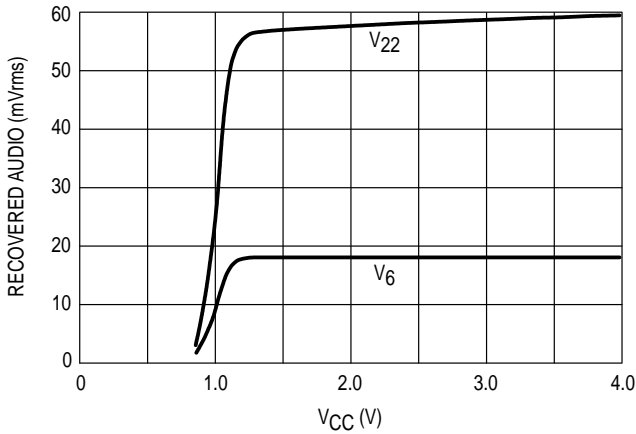


Figure 3. S+N, N versus Input

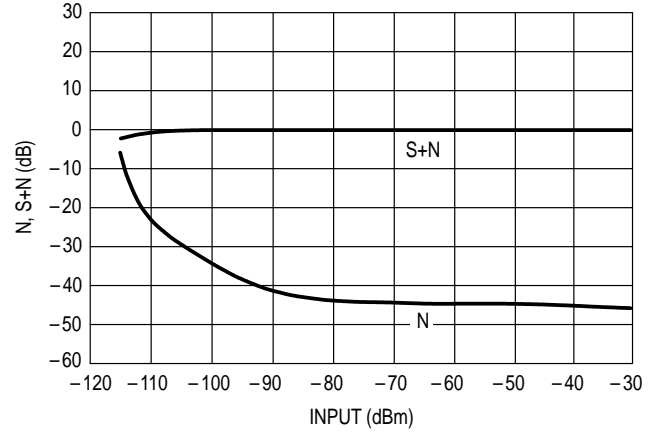


Figure 4. V<sub>REG</sub> versus Supply

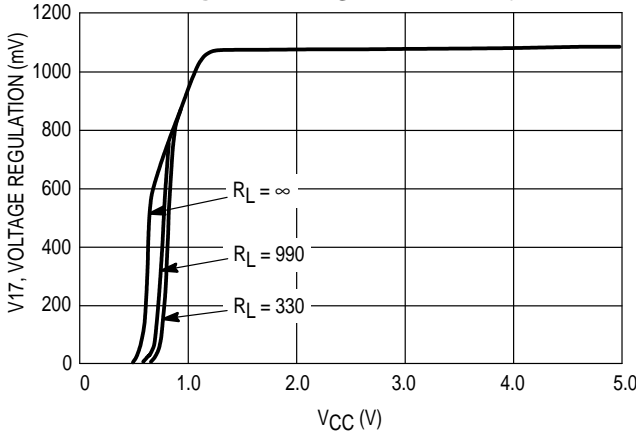


Figure 5. Regulated Output and Recovered Audio versus Temperature

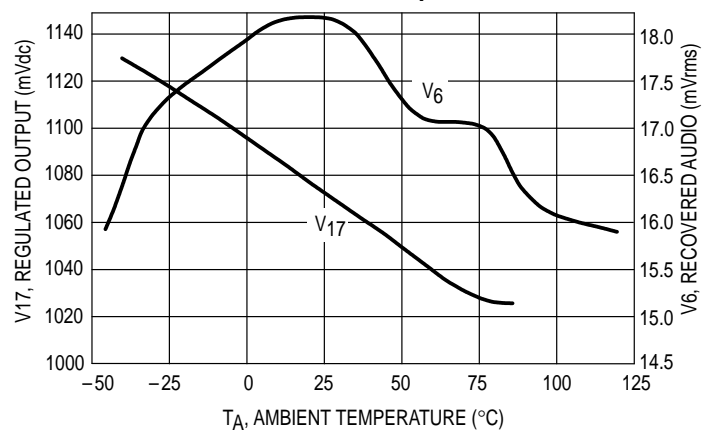
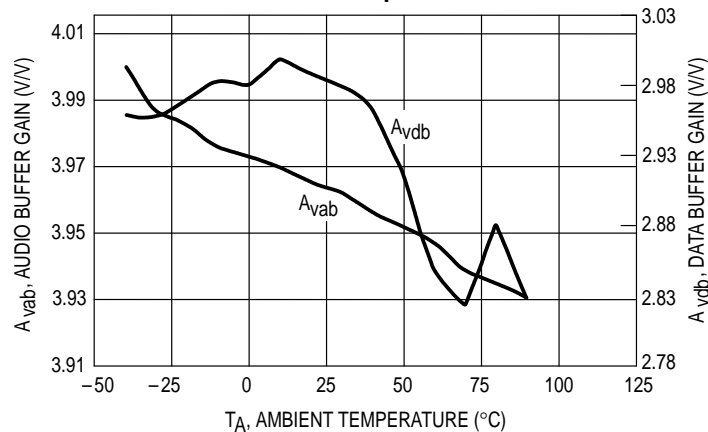


Figure 6. Buffer Amplifier Gains versus Temperature

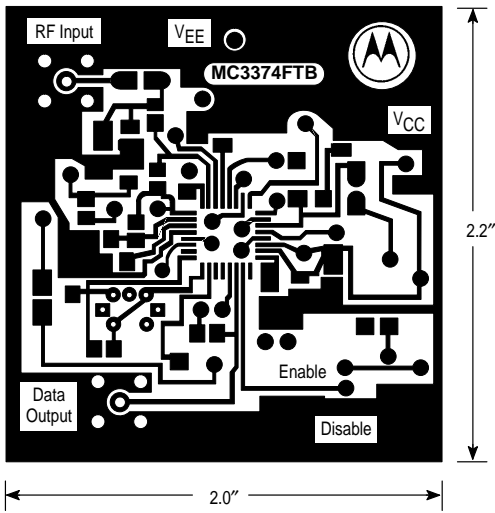


Freescale Semiconductor, Inc. ARCHIVE INFORMATION

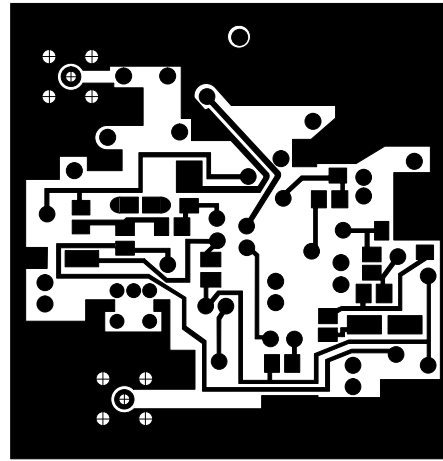
ARCHIVE INFORMATION

Figure 7. MC3374 Pager Receiver PCB Artwork

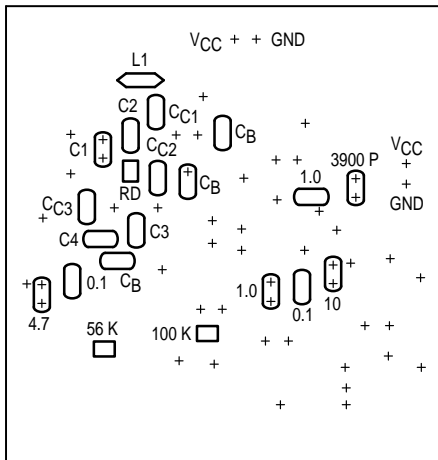
**COPPER 1 LAYER**  
(Actual View of Surface Mount Side)



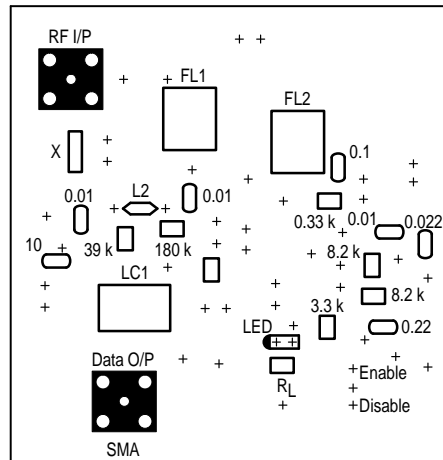
**COPPER 2 LAYER**  
(Caution: Reversed View of Through-Hole Side)



**COMPONENT 1 LAYER**



**COMPONENT 2 LAYER**



NOTE: + = Through Hole

## CIRCUIT DESCRIPTION

The MC3374 is an FM narrowband receiver capable of operation to 75 MHz. The low voltage design yields low power drain and excellent sensitivity in narrowband voice and data link applications. In the typical application the mixer amplifies the incoming RF or IF signal and converts this frequency to 455 kHz. The signal is then filtered by a 455 kHz ceramic filter and applied to the first intermediate frequency (IF) amplifier input, before passing through a second ceramic filter. The modulated IF signal is then applied to the limiting IF amplifier and detector circuitry. Modulation is recovered by a conventional quadrature detector. The typical modulation bandwidth available is 3.0 to 5.0 kHz.

Features available include buffers for audio/data amplification and active filtering, on board voltage regulator, low battery detection circuitry with programmable level, and receiver disable circuitry. The MC3374 is an FM utility receiver to be used for voice and/or narrowband data reception. It is especially suitable where extremely low power consumption and high design flexibility are required.

## APPLICATION

The MC3374 can be used as a high performance FM IF for the use in low power dual conversion receivers. Because of the MC3374's extremely good sensitivity (0.6  $\mu$ V for 20 dB (S+N/N, see Figure 3)), it can also be used as a stand alone single conversion narrowband receiver to 75 MHz for applications not sensitive to image frequency interference. An RF preamplifier will likely be needed to overcome preselector losses.

The oscillator is a Colpitts type which must be run under crystal control. For fundamental mode crystals choose resonators, parallel resonant, for a 32 pF load. For higher frequencies, use a 3rd overtone series mode type. The coil L2 and RD resistor are needed to ensure proper operation.

The best adjacent channel and sensitivity response occur when two 455 kHz ceramic filters are used, as shown in Figure 1. Either can be replaced by a 0.1  $\mu$ F coupling capacitor to reduce cost, but some degradation in sensitivity and/or stability is suspected.

The detector is a quadrature type, with the connection from the limiter output to the detector input provided internally. A 455 kHz LC tank circuit must be provided externally. One of the tank pins (Pin 8) must be decoupled using a 0.1  $\mu$ F capacitor. The 56 k $\Omega$  damping resistor (see Figure 1), determines the peak separation of the detector (and thus its bandwidth). Smaller values will increase the separation and bandwidth but decrease recovered audio and sensitivity.

The data buffer is a noninverting amplifier with a nominal voltage gain of 2.7 V/V. This buffer needs its dc bias (approximately 250 mV) provided externally or else debiasing will occur. A 2nd order Sallen–Key low pass filter, as shown in Figure 1, connecting the recovered audio output to the data buffer input provides the necessary dc bias and some post detection filtering. The buffer can also be used as an active filter.

The audio buffer is a noninverting amplifier with a nominal voltage gain of 4.0 V/V. This buffer is self–biasing so its input should be ac coupled. The two buffers, when applied as active filters, can be used together to allow simultaneous audio and very low speed data reception. Another possible configuration is to receive audio only and include a noise–triggered squelch.

The comparator is a noninverting type with an open collector output. Typically, the pull–up resistor used between Pin 14 and  $V_{CC}$  is 100 k $\Omega$ . With  $R_L = 100$  k $\Omega$  the comparator is capable of operation up to 25 kHz. The circuit is self–biasing, so its input should be ac coupled.

The regulator is a 1.07 V reference capable of sourcing 3.0 mA. This pin (Pin 17) needs to be decoupled using a 1.0–10  $\mu$ F capacitor to maintain stability of the MC3374.

All three  $V_{CC}$ s on the MC3374 ( $V_{CC}$ ,  $V_{CC2}$ ,  $V_{CC3}$ ) run on the same supply voltage.  $V_{CC}$  is typically decoupled using capacitors only.  $V_{CC2}$  and  $V_{CC3}$  should be bypassed using the RC bypasses shown in Figure 1. Eliminating the resistors on the  $V_{CC2}$  and  $V_{CC3}$  bypasses may be possible in some applications, but a reduction in sensitivity and quieting will likely occur.

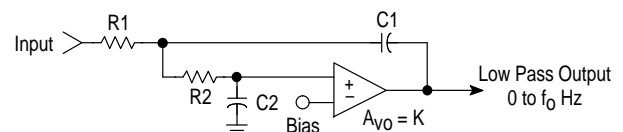
The low battery detection circuit gives an NPN open collector output at Pin 20 which drops low when the MC3374 supply voltage drops below 1.2 V. Typically it would be pulled up via a 100 k $\Omega$  resistor to supply.

The 1.2 V Select pin, when connected to the MC3374 supply, programs the low battery detector to trip at  $V_{CC} < 1.1$  V. Leaving this pin open raises the trip voltage on the low battery detector.

Pin 15 is a receiver enable which is connected to  $V_{CC}$  for normal operation. Connecting this pin to ground shuts off receiver and reduces current drain to  $I_{CC} < 0.5$   $\mu$ A.

## APPENDIX

### Design of 2nd Order Sallen–Key Low Pass Filters



The audio and data buffers can easily be configured as active low pass filters using the circuit configuration shown above. The circuit has a center frequency ( $f_0$ ) and quality factor ( $Q$ ) given by the following:

$$f_0 = \frac{1}{2\pi \sqrt{R1R2C1C2}}$$

$$Q = \frac{1}{\sqrt{\frac{R2C2}{R1C1}} + \sqrt{\frac{R1C2}{R2C1}} + (1-K) \sqrt{\frac{R1C1}{R2C2}}}$$

If possible, let  $R1 = R2$  or  $C1 = C2$  to simplify the above equations. Be sure to avoid a negative  $Q$  value to prevent instability. Setting  $Q = 1/\sqrt{2} = 0.707$  yields a maximally flat filter response.

Freescale Semiconductor, Inc. ARCHIVE INFORMATION

ARCHIVE INFORMATION

# Freescale Semiconductor, Inc.

## Data Buffer Design

The data buffer is designed as follows:

$$\begin{aligned}f_o &= 200 \text{ Hz} \\C1 = C2 &= 0.01 \text{ } \mu\text{F} \\Q &= 0.707 \text{ (target)}\end{aligned}$$

K = 2.7 (data buffer open loop voltage gain)

Setting C1 = C2 yields:

$$f_o = \frac{1}{2\pi C1 \sqrt{R1R2}}$$
$$Q = \frac{1}{\sqrt{\frac{R2}{R1}} + (2-K) \sqrt{\frac{R1}{R2}}}$$

Iteration yields R2 = 4.2 (R1) to make Q = 0.707.

Substitution into the equation for f<sub>o</sub> yields:

$$\begin{aligned}R1 &= 38 \text{ k}\Omega \text{ (use } 39 \text{ k}\Omega) \\R2 &= 4.2(R1) = 180 \text{ k}\Omega \\C1 = C2 &= 0.01 \text{ } \mu\text{F}\end{aligned}$$

## Audio Buffer Design

The audio buffer is designed as follows:

$$\begin{aligned}f_o &= 3000 \text{ Hz} \\R1 = R2 &= 8.2 \text{ k}\Omega \\Q &= 0.707 \text{ (target)}\end{aligned}$$

K = 3.9 (audio buffer open loop voltage gain)


Setting C1 = C2 yields:

$$f_o = \frac{1}{2\pi R1 \sqrt{C1C2}}$$
$$Q = \frac{1}{\sqrt{\frac{C2}{C1}} + (1-K) \sqrt{\frac{C1}{C2}}}$$

Iteration yields C2 = 2.65 (C1) to make Q = 0.707.

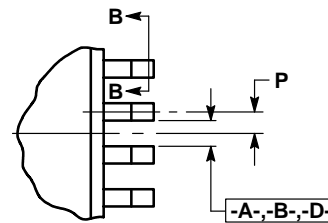
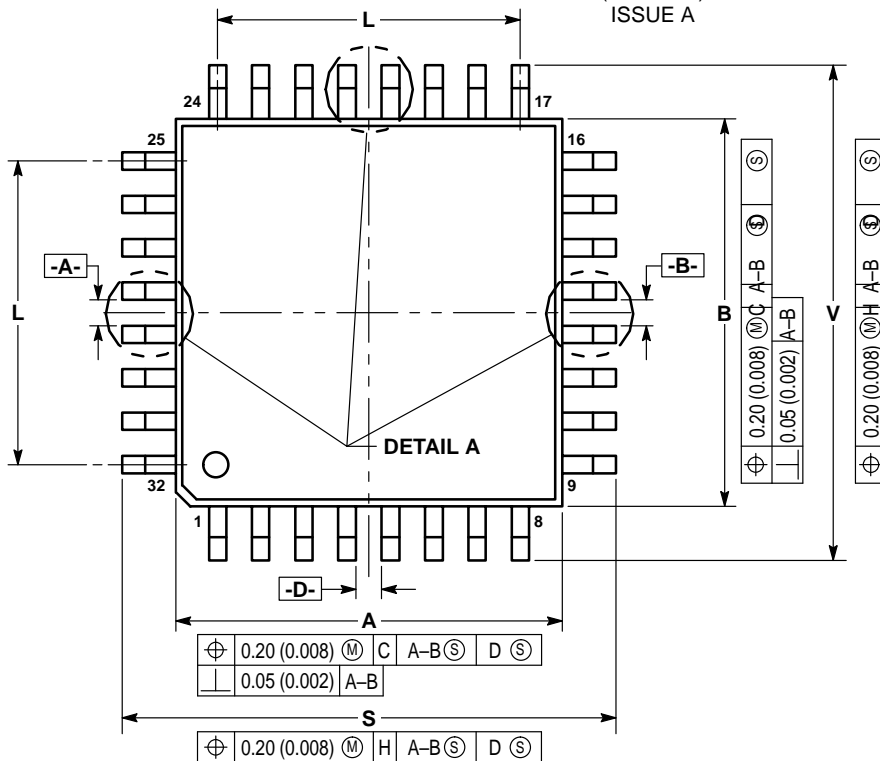
Substitution into the equation for f<sub>o</sub> yields:

$$\begin{aligned}C1 &= 3900 \text{ pF} \\C2 &= 2.65(C1) = 0.01 \text{ } \mu\text{F} \\R1 = R2 &= 8.2 \text{ k}\Omega\end{aligned}$$

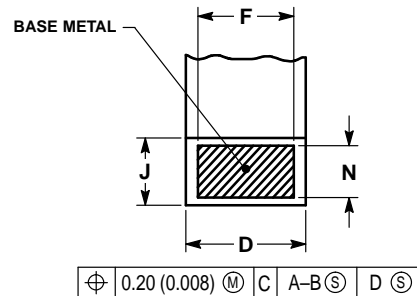
Motorola reserves the right to make changes without further notice to any products herein. Motorola makes no warranty, representation or guarantee regarding the suitability of its products for any particular purpose, nor does Motorola assume any liability arising out of the application or use of any product or circuit, and specifically disclaims any and all liability, including without limitation consequential or incidental damages. "Typical" parameters which may be provided in Motorola data sheets and/or specifications can and do vary in different applications and actual performance may vary over time. All operating parameters, including "Typicals" must be validated for each customer application by customer's technical experts. Motorola does not convey any license under its patent rights nor the rights of others. Motorola products are not designed, intended, or authorized for use as components in systems intended for surgical implant into the body, or other applications intended to support or sustain life, or for any other application in which the failure of the Motorola product could create a situation where personal injury or death may occur. Should Buyer purchase or use Motorola products for any such unintended or unauthorized application, Buyer shall indemnify and hold Motorola and its officers, employees, subsidiaries, affiliates, and distributors harmless against all claims, costs, damages, and expenses, and reasonable attorney fees arising out of, directly or indirectly, any claim of personal injury or death associated with such unintended or unauthorized use, even if such claim alleges that Motorola was negligent regarding the design or manufacture of the part. Motorola and  are registered trademarks of Motorola, Inc. Motorola, Inc. is an Equal Opportunity/Affirmative Action Employer.

## OUTLINE DIMENSIONS

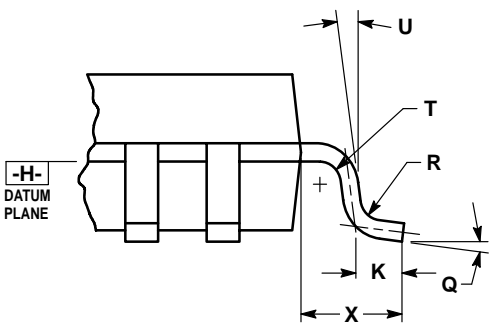
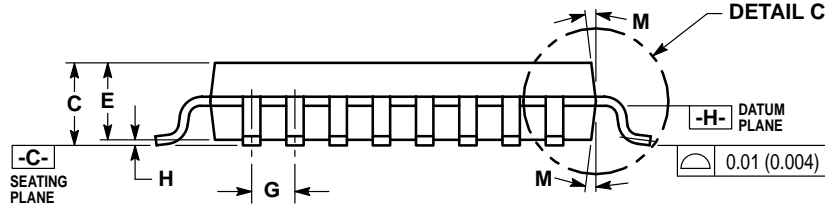
**FTB SUFFIX**  
**PLASTIC PACKAGE**  
**CASE 873-01**  
**(Thin QFP)**  
**ISSUE A**



**DETAIL A**



**SECTION B-B**  
**VIEW ROTATED 90° CLOCKWISE**



**DETAIL C**

- NOTES:**
- DIMENSIONING AND TOLERANCING PER ANSI Y14.5M, 1982.
  - CONTROLLING DIMENSION: MILLIMETER.
  - DATUM PLANE -H- IS LOCATED AT BOTTOM OF LEAD AND IS COINCIDENT WITH THE LEAD WHERE THE LEAD EXITS THE PLASTIC BODY AT THE BOTTOM OF THE PARTING LINE.
  - DATUMS -A-, -B- AND -D- TO BE DETERMINED AT DATUM PLANE -H-.
  - DIMENSIONS S AND V TO BE DETERMINED AT SEATING PLANE -C-.
  - DIMENSIONS A AND B DO NOT INCLUDE MOLD PROTRUSION. ALLOWABLE PROTRUSION IS 0.25 (0.010) PER SIDE. DIMENSIONS A AND B DO INCLUDE MOLD MISMATCH AND ARE DETERMINED AT DATUM PLANE -H-.
  - DIMENSION D DOES NOT INCLUDE DAMBAR PROTRUSION. ALLOWABLE DAMBAR PROTRUSION SHALL BE 0.08 (0.003) TOTAL IN EXCESS OF THE D DIMENSION AT MAXIMUM MATERIAL CONDITION. DAMBAR CANNOT BE LOCATED ON THE LOWER RADIUS OR THE FOOT.

DIM	MILLIMETERS		INCHES	
	MIN	MAX	MIN	MAX
A	6.95	7.10	0.274	0.280
B	6.95	7.10	0.274	0.280
C	1.40	1.60	0.055	0.063
D	0.273	0.373	0.010	0.015
E	1.30	1.50	0.051	0.059
F	0.273	—	0.010	—
G	0.80 BSC		0.031 BSC	
H	—	0.20	—	0.008
J	0.119	0.197	0.005	0.008
K	0.33	0.57	0.013	0.022
L	5.6 REF		0.220 REF	
M	6°	8°	6°	8°
N	0.119	0.135	0.005	0.005
P	0.40 BSC		0.016 BSC	
Q	5°	10°	5°	10°
R	0.15	0.25	0.006	0.010
S	8.85	9.15	0.348	0.360
T	0.15	0.25	0.006	0.010
U	5°	11°	5°	11°
V	8.85	9.15	0.348	0.360
X	1.0 REF		0.039 REF	

**How to reach us:**

**USA/EUROPE/Locations Not Listed:** Motorola Literature Distribution; P.O. Box 20912; Phoenix, Arizona 85036. 1-800-441-2447 or 602-303-5454

**JAPAN:** Nippon Motorola Ltd.; Tatsumi-SPD-JLDC, 6F Seibu-Butsuryu-Center, 3-14-2 Tatsumi Koto-Ku, Tokyo 135, Japan. 03-81-3521-8315

**ASIA/PACIFIC:** Motorola Semiconductors H.K. Ltd.; 8B Tai Ping Industrial Park, 51 Ting Kok Road, Tai Po, N.T., Hong Kong. 852-26629298



**MOTOROLA**

For More Information On This Product,  
 Go to: [www.freescale.com](http://www.freescale.com)

MC3374/D



Freescale Semiconductor, Inc. ARCHIVE INFORMATION

ARCHIVE INFORMATION