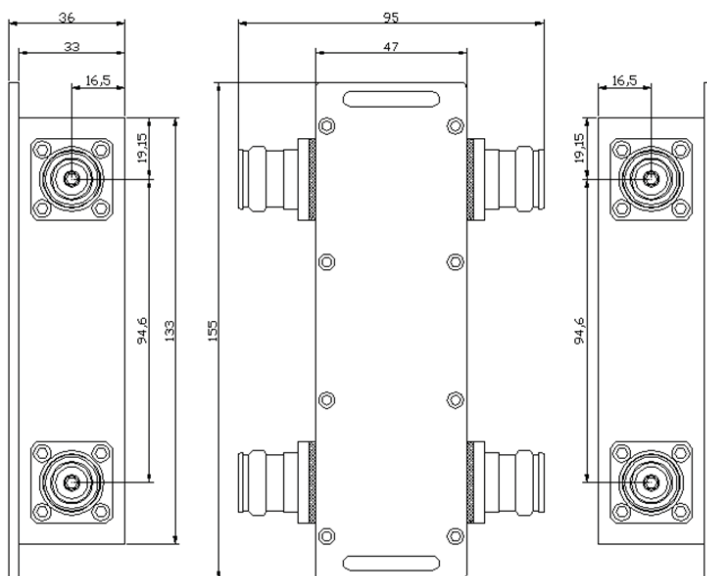


HC-3HL22-43F-CC

3 dB Hybrid Coupler | 698-3800 MHz | 2 in 2 out | 4.3-10 Female

Electrical Characteristics	
Frequency Range	698-3800 MHz
Insertion Loss	$\leq 3.1 \pm 0.5$ dB
Isolation	≥ 23 dB
In-Band Ripple	± 0.5 dB
PIM3 (2x43dBm)	≤ -153 dBc
VSWR	≤ 1.25
Power Rating	400 W
Impedance	50 Ω
Mechanical Characteristics	
Connectors	4.3-10 Female
Dimensions without Connectors	155 x 47 x 36 mm
Color	Black
Environmental Characteristics	
Operating Temperature	-40° C to +65° C
Operating Humidity	Up to 100%
Operating Air Pressure	70-106 kpa



Quoted performance parameters are provided to offer typical, peak or range values only and may vary as a result of normal testing, manufacturing and operational conditions. Extreme operational conditions and/or stress on structural supports is beyond our control. Such conditions may result in damage to this product. Improvements to products may be made without notice.