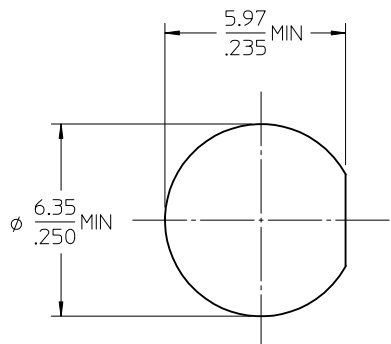
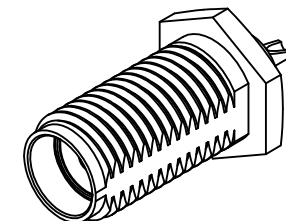


MATERIALS AND FINISHES:

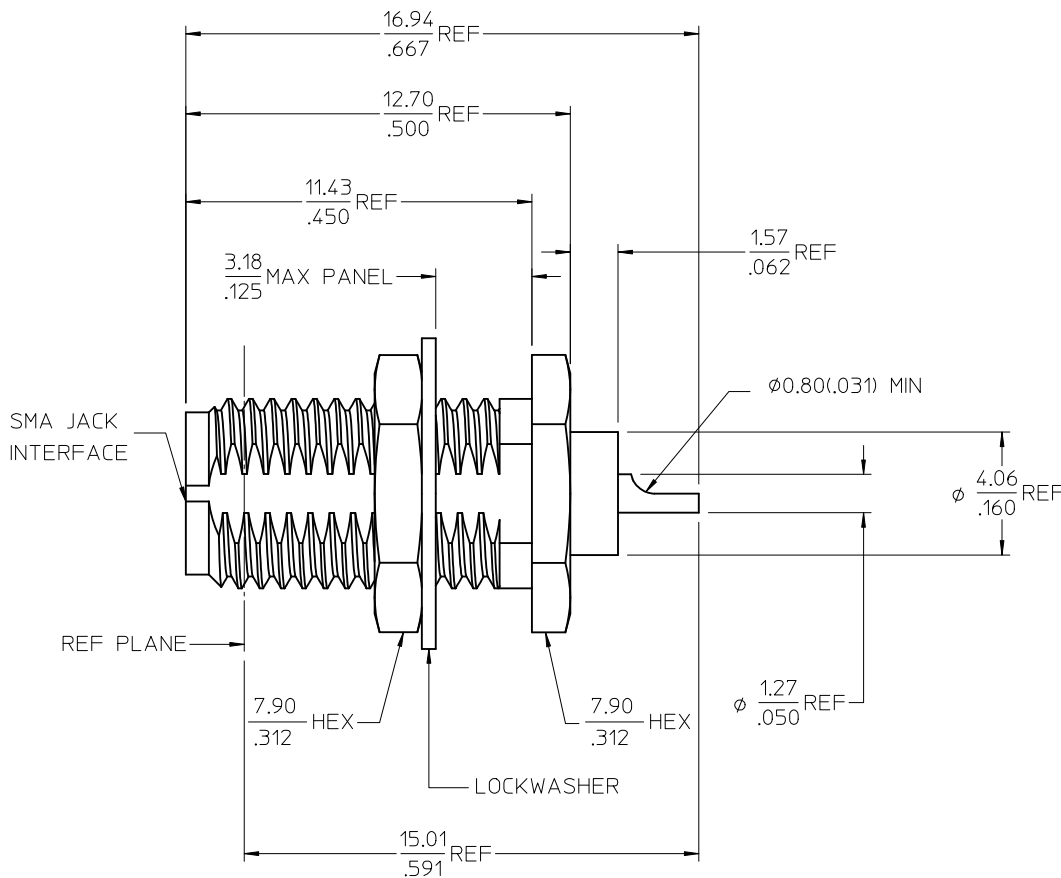
BODY, NUT, WASHER STAINLESS STEEL
SEE TABLE

CENTER CONTACT BERYLLIUM COPPER
PLATED GOLD

INSULATOR TEFLON



RECOMMENDED
MOUNTING HOLE



73251-0242	ONE PIECE 73251-0240 PER BAG
73251-0241	GOLD/BULK
73251-0240	PASSIVATE/BULK
PART NO.	PLATING/PACKAGING

PS-89675-2820	ELECTRO/MECH PERFORM
MIL-STD-348A, FIG. 310.2	INTERFACE
SPECIFICATION	DESCRIPTION

CHG: CLARIFIED BAGGING. EC NO: URF2010-0369 DRWIN:ROBERTSON 2009/12/18 CHKD:SSS 2009/12/18 APPR:JWIENER 2009/12/18 A4	QUALITY SYMBOLS ▼=0 ▽=0	GENERAL TOLERANCES (UNLESS SPECIFIED) <table border="1"> <tr> <td></td> <td>mm</td> <td>INCH</td> </tr> <tr> <td>4 PLACES</td> <td>± .005</td> <td>± .0005</td> </tr> <tr> <td>3 PLACES</td> <td>± .005</td> <td>± .0005</td> </tr> <tr> <td>2 PLACES</td> <td>± .005</td> <td>± .0005</td> </tr> <tr> <td>1 PLACE</td> <td>± .005</td> <td>± .0005</td> </tr> </table> ANGULAR ± 2°		mm	INCH	4 PLACES	± .005	± .0005	3 PLACES	± .005	± .0005	2 PLACES	± .005	± .0005	1 PLACE	± .005	± .0005	DIMENSION STYLE MM/IN	SCALE DESIGN UNITS METRIC	THIRD ANGLE PROJECTION
				mm	INCH															
4 PLACES	± .005	± .0005																		
3 PLACES	± .005	± .0005																		
2 PLACES	± .005	± .0005																		
1 PLACE	± .005	± .0005																		
DRAWN BY EDC	DATE 2009/12/18	TITLE SMA JACK, RECT, BLKHD 50 OHMS, SOLDER POT SMA-J/BK	MOLEX INCORPORATED	MATERIAL NO. SEE TABLE	DOCUMENT NO. SD-73251-024															