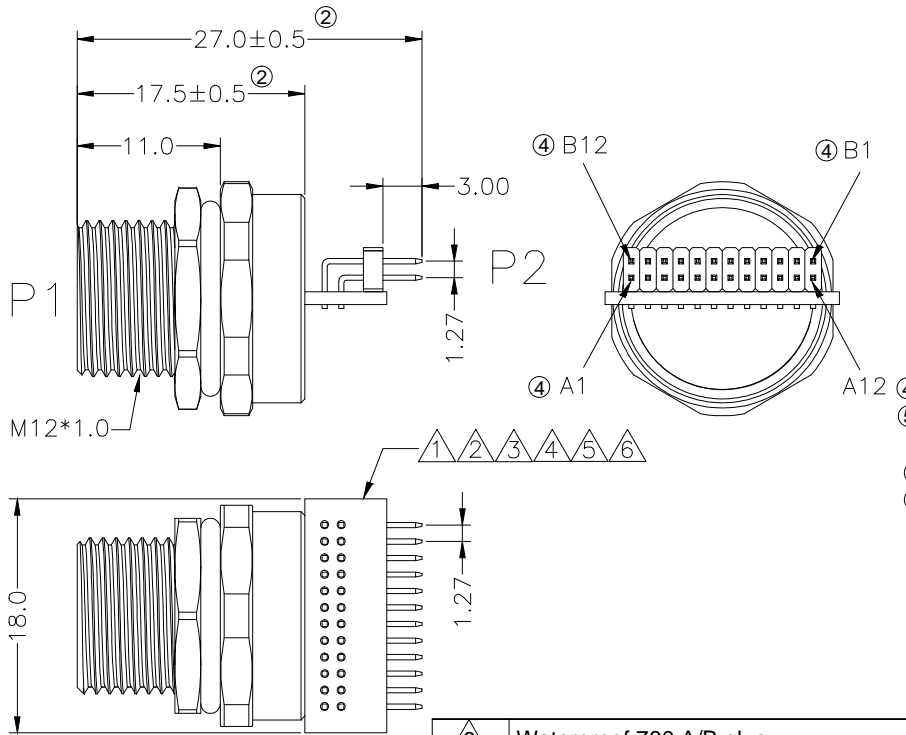
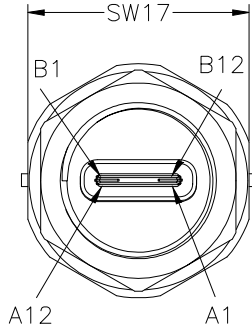
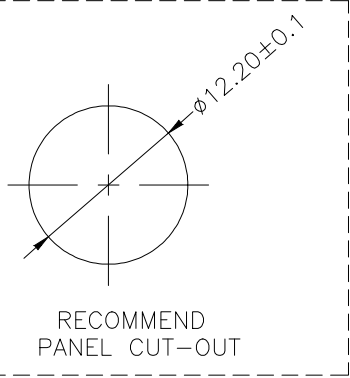


USB 3.1 Type C
Waterproof IP67



Notes:
Waterproof connector rating is IP67
Current rating: 1A
Voltage rating: 30V
Operating temperature: -20°C ~ +80°C

Test conditions:
1. Voltage: 300V DC/0.1S
2. Insulation resistance: 10MΩ min.
3. Conductive resistance: 5Ω max.
4. 100% Open and short electrical test
5. Package: Tray

③ WSW order code
⑤ A-USB1-DFN-EG-xTP1


Plating option
G: Gold flash(1 u")
H: 30u" Gold

④ WIRE LIST

P1	P2
A2	A2
A3	A3
A4	A4
A5	A5
A6	A6
A7	A7
A8	A8
A9	A9
A10	A10
A11	A11
B2	B2
B3	B3
B4	B4
B5	B5
B6	B6
B7	B7
B8	B8
B9	B9
B10	B10
B11	B11
SHELL-A1-A12-B1-B12	

⑥	Waterproof 780 A/B glue	1	PCS
⑤	Nut Nickel plated brass M12*1.0	1	PCS
④	Black A/B glue (epoxy resin)	3	G
③	O-Ring Green FKM	1	PCS
②	M12 Type C panel Shell Nickel plated brass M12*1.0	1	PCS
①	USB Type C Female Connector+PCBA+24pin header, Dual Row (Shell Ni plated, Terminal Copper alloy Au 1u" plated) (24PIN Male row needle 90 degree Copper alloy Au 1u" plated PH1.27mm)	1	SET
ITEM	SPECIFICATION	Q'TY	UNIT

RoHS compliant
Unit: mm

Scale	Free	⑤	Remove PN for bag package	30.09.2021	Luca	Date	Name	Customer-No.
TOLERANCE		④	Adjust PIN number and add wire list	12.08.2021	Luca	08.08.2019	Amy	ASSMANN WSW-No. ⑤ A-USB1-DFN-EG-xTP1
X.X	±0.50	③	Add the tray packing way	29.06.2021	Segal	30.09.2021	Luca	
X.XX	±0.20	②	Update the dimensions	25.09.2019	Segal			
DIM		TOL	①	Change the design of structure	25.09.2019	Amy		Drawing-No.
X.°	±2.0°	①	Drawn	08.08.2019	Amy			ASS 8435 CO
X.X°	±1.0°	①						rev05
Angle	TOL	Id.	Modification	Date	Name			Replace

1

2

3

4

5

6

7