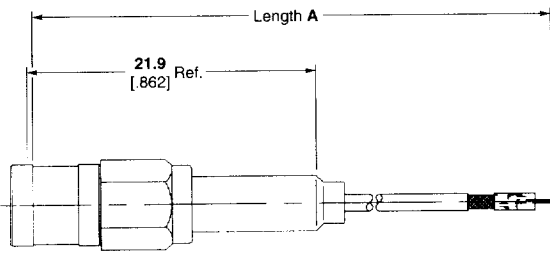


SMT | QuickGrip™ Connectors (Continued)

Inter-Series Cable Assemblies (Continued)

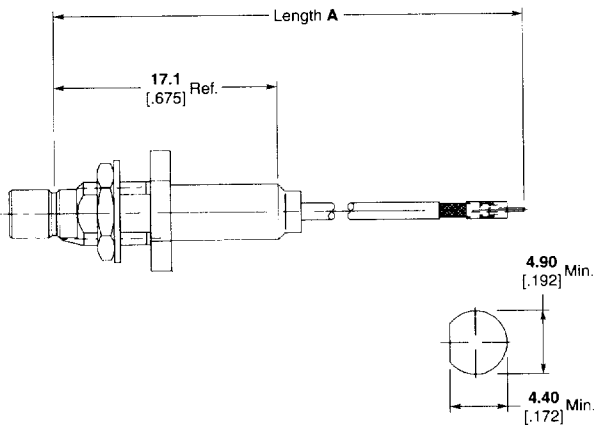
SMB Straight Plug



Cable	Assembly Length (A)	M/A-COM Model No.	Part No.
Omni-Flex 100	100 [4]	9970-4100-03	1313275-2
	200 [8]	9970-4200-03	1313275-3
	305 [12]	9970-4305-03	1313275-1
Omni-Flex 200	100 [4]	9980-4100-03	1408049-1
	200 [8]	9980-4200-03	1408049-2
	305 [12]	9980-4305-03	1408049-3

Note:
1. Cable length tolerances: Length 'A' mm [In], Tolerance mm [In],
50 to 100 [3.94], ±3 [± .12], 101 to 500 [3.98 to 19.69], ±5 [± .20],
Over 500 [19.69], ±10 [± .39]

SMB Bulkhead Jack

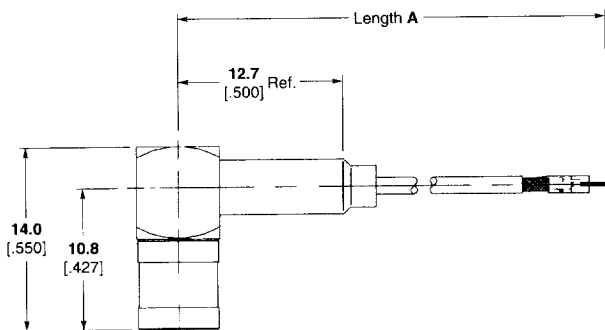


Recommended Mounting Hole

Cable	Assembly Length (A)	M/A-COM Model No.	Part No.
Omni-Flex 100	100 [4]	9970-4100-04	1408050-1
	200 [8]	9970-4200-04	1408050-2
	305 [12]	9970-4305-04	1408050-3
Omni-Flex 200	100 [4]	9980-4100-04	1408050-4
	200 [8]	9980-4200-04	1408050-5
	305 [12]	9980-4305-04	1408050-6

Note:
1. Cable length tolerances: Length 'A' mm [In], Tolerance mm [In],
50 to 100 [3.94], ±3 [± .12], 101 to 500 [3.98 to 19.69], ±5 [± .20],
Over 500 [19.69], ±10 [± .39]

SMB Right Angle Plug



Cable	Assembly Length (A)	M/A-COM Model No.	Part No.
Omni-Flex 100	100 [4]	9970-4100-05	1255378-1
	200 [8]	9970-4200-05	1255378-2
	305 [12]	9970-4305-05	1255378-3
Omni-Flex 200	100 [4]	9980-4100-05	1255378-4
	200 [8]	9980-4200-05	1255378-5
	305 [12]	9980-4305-05	1255378-6

Note:
1. Cable length tolerances: Length 'A' mm [In], Tolerance mm [In],
50 to 100 [3.94], ±3 [± .12], 101 to 500 [3.98 to 19.69], ±5 [± .20],
Over 500 [19.69], ±10 [± .39]