



CONNECTORS **MC4 RANGE**

The MC4 Duplex optical fibre connector is based upon shell size 9 Mil-C 38999 Series III making this an extremely compact environmentally sealed 2-way connector. The MC4 is suitable for use with most multimode fibres with core diameters of 50 to 200µm. Simplex and duplex cable constructions can be accommodated with suitable connector backshells.

Precision ceramic ferrules and alignment sleeves ensure optimum performance and reliability over an extended service life.

The optical ferrules are sprung loaded in both the plug and receptacle shells. This provides an axial load equalisation ensuring that butt joint contact is maintained even when the connector is subjected to vibration levels in excess of 30g.

The coupling nut has a built in antivibration clicker mechanism to prevent inadvertent uncoupling under adverse vibration conditions.

DUPLEX FIBRE OPTIC CONNECTORS

GENERAL SPECIFICATION

Optical

Attenuation: Less than 0.4dB (50/125µm)

Repeatability: Better than 0.2dB

Fibre types: 50, 62.5, 85/125µm
100/140µm
200/280µm

Cable Types

Tight jacket 2.5mm dia

Duplex 4.5mm OD

For other cable sizes consult Technical Sales

Materials

Shell: Aluminium alloy. Nickel plated

Ferrule: Zirconia

Alignment sleeve: Zirconia

Seals: Fluorosilicone

Backshells: Aluminium alloy. Nickel plated

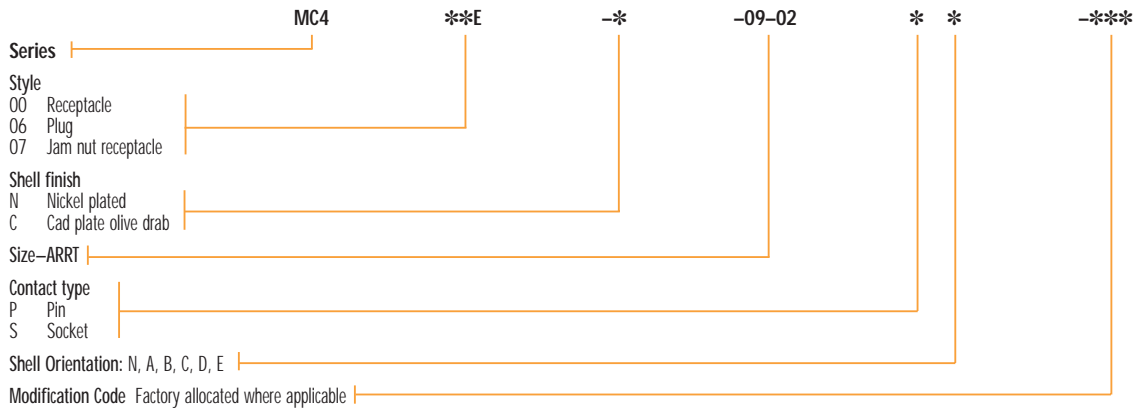
Mechanical

Temperature range: -65°C to +155°C*

*Cable and epoxy dependant

Mechanical endurance: not less than 500 matings

HOW TO ORDER



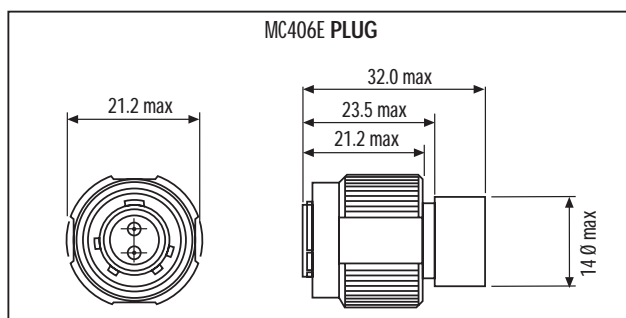
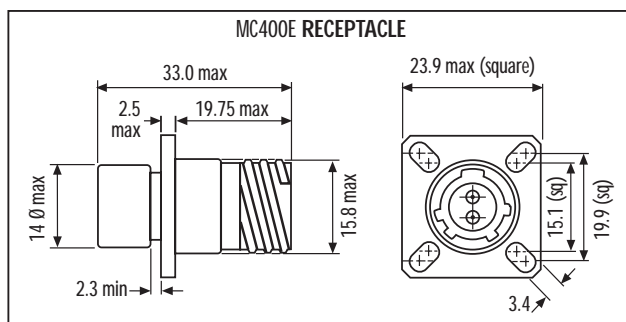
MC4 Essential Termination Tooling

Part No.	Description and Use	Notes
	Connector Assembly Tooling	
454335	Fibre stripping tool	Hozan
453228	Fibre cleaving tool	
454342	Crimp tool	
	Polishing Tools and Materials	
454899	Polishing jig	
454539	Rubber Pads	2 required
454539	Lapping film set comprises:-	
454481	Coarse disk (10 off)	available separately
454482	DR diamond disc	available separately
454483	DM diamond disc	available separately
454484	Polishing disc (10 off)	
	Consumable Materials	
454257	Epoxy kit (353ND)	
450490	Spatula	
454297	Syringe (x6)	
	Ferrules	
454900-126	Fibre size 125µm	not supplied with connector
454900-141	Fibre size 140µm	not supplied with connector
454900-145	Fibre size 140µm	not supplied with connector
454900-283	Fibre size 280µm	not supplied with connector

For further information contact technical sales

DIMENSIONAL SPECIFICATIONS

All dimensions in millimetres (unless otherwise stated).



A step ahead in technology

Fibre Optic Group

Imberhorne Lane, East Grinstead
West Sussex RH19 1RW England

Telephone 01342 410033

Fax 01342 317661

Email mil.aero@deutsch.co.uk