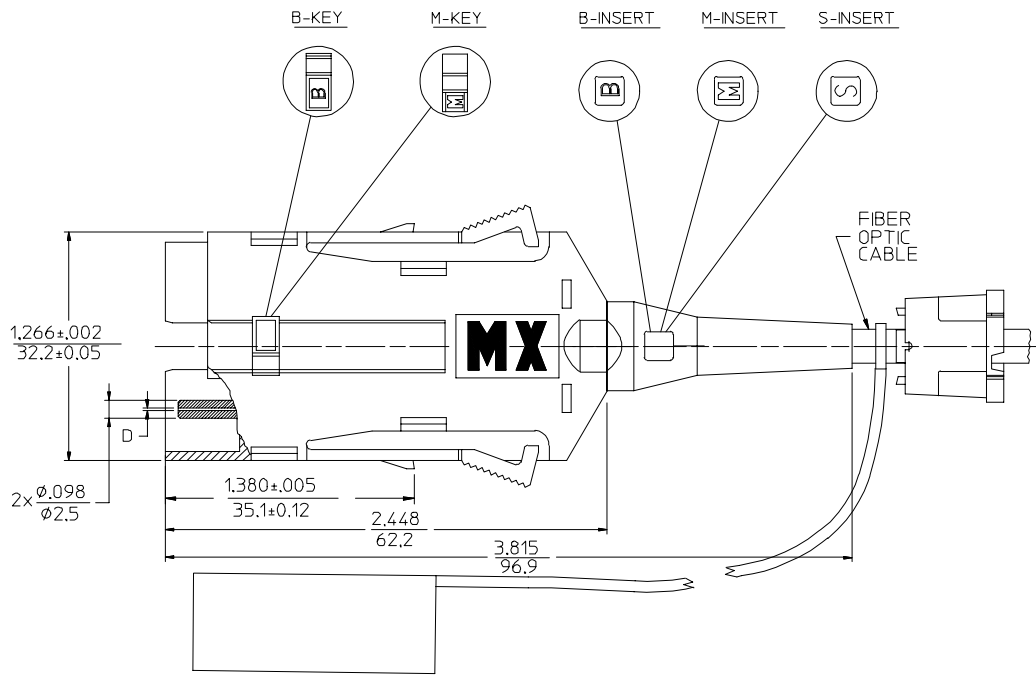
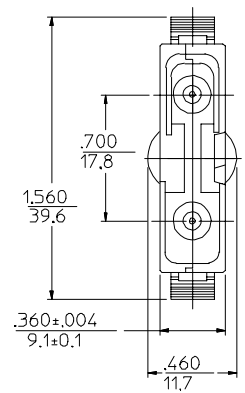


13	12	11	10	9	8	7	6	5	4	3	2	1
φD (μm)	P/N OF CONNECTOR	FERRULE MATERIAL	CONNECTOR COLOR	CABLE TYPE								
J	127	Zr PLUS	BLACK	φ4,1 mm NON-PLENUM	MULTIMODE							
				φ4,8 mm NON-PLENUM								
				ZIPCORD								
				ALMOND								
				BLACK		φ4,1 mm PLENUM						
I	128	Zr	BLACK	φ4,1 mm NON-PLENUM	MULTIMODE							
				φ4,8 mm NON-PLENUM								
				ZIPCORD								
				ALMOND								
				BLACK		φ4,1 mm PLENUM						
H	126	Zr	BLACK	φ4,1 mm PLENUM	SINGLE MODE							
				φ4,1 mm NON-PLENUM								
				φ4,8 mm NON-PLENUM								
				ZIPCORD								
				φ4,1 mm PLENUM								



NOTES:

- ALL DIMENSIONS ARE GIVEN IN $\frac{\text{INCHES}}{\text{mm}}$.
- INSERTS "A", "B" AND "M" SHOULD MATCH KEY TYPES "A", "B" AND "M" RESPECTIVELY. CONNECTOR WITHOUT KEY IS "S" TYPE, AND SHOULD HAVE S-INSERT. ORIENTATION OF KEYS AND INSERTS IS AS PER DRAWING.
- P/N 86989-0027 IS BULK PACKED IN QUANTITIES OF 100 pcs.

ENTER DESCRIPTION EC NO: MF2005-0443 TDRWN: IGLUMIN 2005/02/07 CHKD: 2005/02/07 APPR: IGLUMIN 2005/02/08 REV DESCRIPTION	QUALITY SYMBOLS	GENERAL TOLERANCES (UNLESS SPECIFIED)	DIMENSION STYLE	SCALE	DESIGN UNITS	THIRD ANGLE PROJECTION															
	$\nabla=0$ $\nabla=0$	<table border="1"> <tr> <th></th> <th>mm</th> <th>INCH</th> </tr> <tr> <td>4 PLACES</td> <td>± ---</td> <td>± ---</td> </tr> <tr> <td>3 PLACES</td> <td>± ---</td> <td>± ---</td> </tr> <tr> <td>2 PLACES</td> <td>± ---</td> <td>± ---</td> </tr> <tr> <td>1 PLACE</td> <td>± ---</td> <td>± ---</td> </tr> </table>		mm	INCH	4 PLACES	± ---	± ---	3 PLACES	± ---	± ---	2 PLACES	± ---	± ---	1 PLACE	± ---	± ---	IN/MM	2:1	INCH	
		mm	INCH																		
	4 PLACES	± ---	± ---																		
3 PLACES	± ---	± ---																			
2 PLACES	± ---	± ---																			
1 PLACE	± ---	± ---																			
			DRAWN BY	DATE	TITLE																
			DFENG		FDDI TYPE CONNECTOR (ZIPCORD CABLE)																
			CHECKED BY	DATE																	
			APPROVED BY	DATE																	
			IGROIS		MOLEX INCORPORATED																
			MATERIAL NO.	DOCUMENT NO.																	
			SEE TABLE		86030-XX00CD																
			DRAFT WHERE APPLICABLE MUST REMAIN WITHIN DIMENSIONS		SHEET NO. 1 OF 1																
			THIS DRAWING CONTAINS INFORMATION THAT IS PROPRIETARY TO MOLEX INCORPORATED AND SHOULD NOT BE USED WITHOUT WRITTEN PERMISSION																		