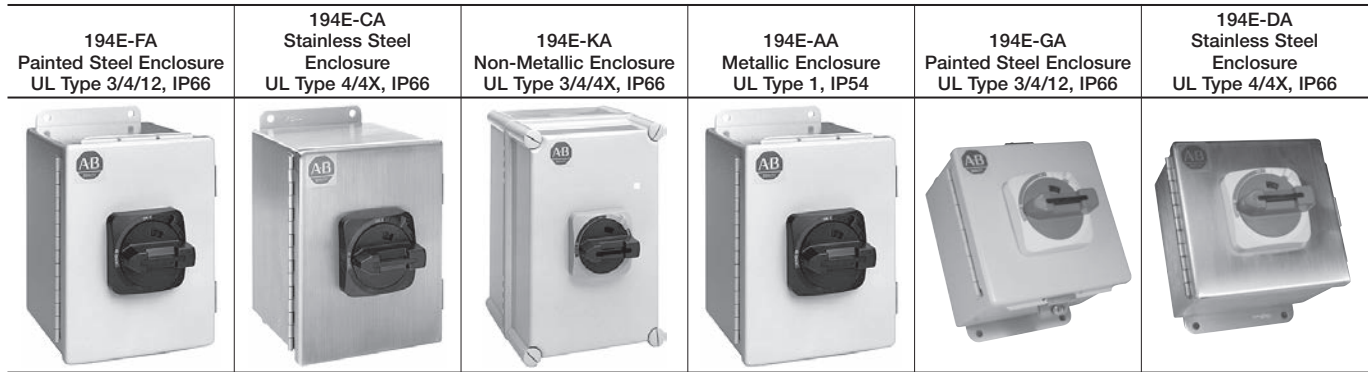


# IEC Load Switches, 16...100 A

## Product Selection/Catalog Number Explanation

### Bulletin 194E Enclosed Disconnect Load Switches with 194R Handles (with Defeater, suitable for 3 padlocks)



2

Cat. No. Explanation \*§

**194E - FA 32 E - P11 - P11 - 6**  
*a b c d d e*

<i>a</i>	
Code	Enclosure Type
FA	UL Type 3/4/12, IP66 Painted Steel, Hinged, for 16...100 A switches
GA	UL Type 3/4/12, IP66 Painted Steel, Hinged, in 6 x 6 x 4 in. size, for 16...32 A 3-pole switches ‡
CA	UL Type 4/4X, IP66 Stainless Steel, Hinged, for 16...100 A switches
DA	UL Type 4/4X, IP66 Stainless Steel, Hinged, in 6 x 6 x 4 in. size, for 16...32 A 3-pole switches ‡
KA	UL Type 3/4/4X, IP66 Non-Metallic, for 16...100 A switches
AA	UL Type 1, IP54 Painted Steel, Hinged, for 16...100 A switches (Same enclosure as FA without gasketing)

<i>b</i>	
Code	Load Size
16	16 A
20	25 A
32	32 A
40	40 A
63	63 A
80	80 A
00	100 A

<i>c</i>	
Code	Handle Color (194R-HS _ _)
Blank	Grey/Black
E	Red/Yellow

<i>d</i>	
Code	Left Side + Right Side Modifications*
Blank	No Option
-P11	1 N.O. + 1 N.C. Auxiliary Contacts
-PL11	1 N.O. + 1 N.C.L.B. Auxiliary Contacts
-P22	2 N.O. + 2 N.C. Auxiliary Contacts
-PD10	1 N.O. E.B.
-NP	Additional Pole
-PE	Grounding Pole
-TN	Neutral Pole

<i>e</i>	
Code	Switch Type
Blank	3-pole switch
-6	6 Pole switch§

\* Modifications: Up to two suffix codes may be added to an enclosed disconnect load switch. See Guidelines, page 2-409. If only one accessory is chosen, it is mounted on the left side of the switch.

§ To order the cat. no. 194E-FA40/FA63 or 194E-CA40/CA63 in the larger 80/100A sized enclosure, add an "X" after the handle color. For example, Cat. No. **194E-FA40E** becomes Cat. No. **194E-FA40EX**.

‡ GA and DA type enclosures: use with 3-pole 16...32 A switches only.

§ Special order; allow for longer delivery time.

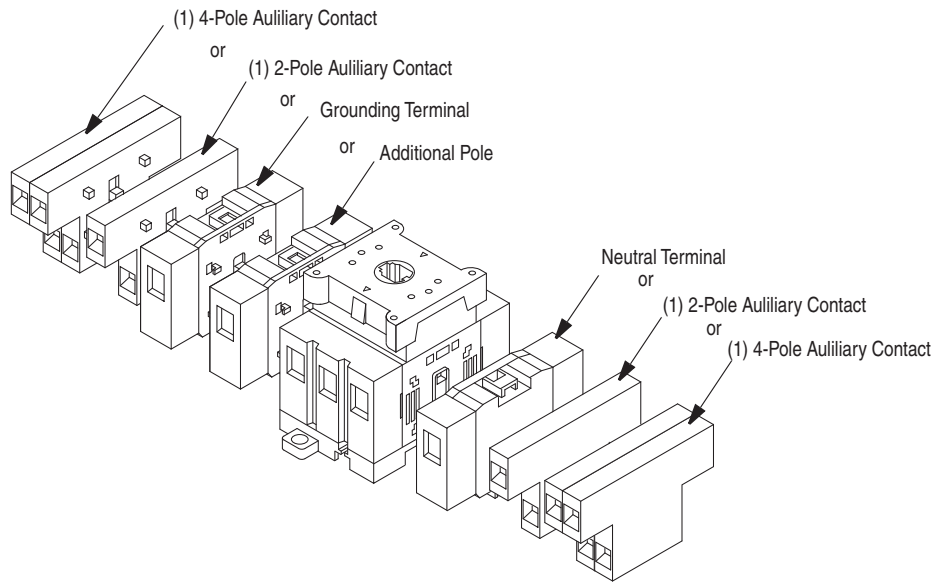
### Frequently Ordered Bulletin 194E Enclosed Switches with Bulletin 194R Handle

Description	Rated Current (A)	Dimension Reference	Handle Color	Cat. No.*
Stainless steel enclosure, IP66/Type 4/4X	25	A1	Black	194E-CA20
			Red/Yellow	194E-CA20E
	32	A1	Black	194E-CA32
			Red/Yellow	194E-CA32E
	63	A1	Black	194E-CA63
			Red/Yellow	194E-CA63E
Painted steel enclosure, IP66/Type 3/4/12	25	A1	Black	194E-FA20
			Red/Yellow	194E-FA20E
	32	A1	Black	194E-FA32
			Red/Yellow	194E-FA32E
	40	A1	Black	<b>194E-FA40</b>
			Red/Yellow	194E-FA40E
Non-metallic enclosure, IP66/Type 4/4X	25	C1	Black	194E-KA20
			Red/Yellow	194E-KA20E

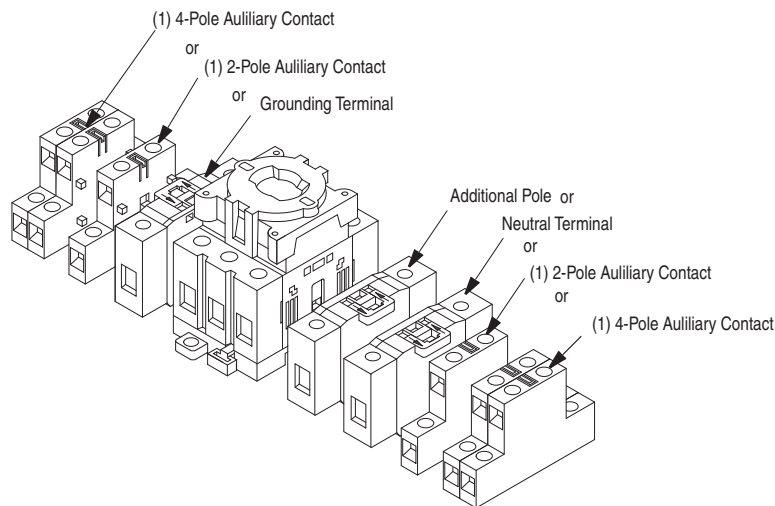
\* Modifications: Up to two suffix codes may be added to an enclosed disconnect load switch. See Guidelines, page 2-409. If only one accessory is chosen, it is mounted on the left side of the switch.

IEC Load Switch Accessories

194E-E16...100 A, Front/Door Mounting



194E-A16...100 A, Base/DIN Rail Mounting



**Accessory Configuration Guidelines**

Accessory drawings represent modular, snap-on features of Bulletin 194E accessories. They are not suggesting possible accessory configurations. Use the following guidelines for choosing 194E accessory configurations.

- Up to two accessories may be added to the Bulletin 194E switch body.
- For the 194E 16, 25, 32, 40, or 63 A switches, the early break auxiliary contact (-PD10) may only be used in the following configurations:
  - As a single unit on either side of the switch
  - As a single unit on a side when used with a switch + 4th pole (-NP)
  - As a single unit on a side when used with a switch + ground terminal (-PE)
  - As a single unit on a side when used with a switch + neutral terminal (-TN)
  - No other auxiliary contact may be used in combinations with an early break auxiliary contact (-PD10)
- Other combinations of auxiliary contacts are permissible.
- For the 194E 80 and 100 A switches, any combination of auxiliary contacts, 4th pole, ground terminal, neutral terminal, and -PD10 is permissible.

**Electrical Ratings**

Performance Data				16 A	25 A	32 A	40 A	63 A	80 A	100 A	Aux. Contacts	
IEC Applications												
Rated operational voltage ( $U_e$ ): IEC*				[V]	690	690	690	690	690	690	690	690
Rated operational voltage ( $U_e$ ): UL, CSA				[V]	600	600	600	600	600	600	600	600
Rated isolation voltage ( $U_i$ ): IEC/UL, CSA				[V]	690/600	690/600	690/600	690/600	690/600	690/600	690/600	690/600
Rated impulse voltage ( $U_{imp}$ ): UL, CSA				[kV]	8	8	8	8	8	8	8	8
Test voltage, ( $U_i$ ) 1 minute				[kV]	2.5	2.5	2.5	2.5	2.5	2.5	2.5	2.5
Lost power per pole				[W]	0.58	1.0	1.5	1.6	2.4	3.6	5.5	0.4
<b>Rated frequency</b>				[Hz]	50/60	50/60	50/60	50/60	50/60	50/60	50/60	50/60
Conventional free air thermal current $I_{th}$ *				[A]	25	40	50	63	75	100	120	12
Conventional enclosed thermal current $I_e$ *				[A]	20	32	40	50	63	80	100	10
<b>Rated current <math>I_e</math>*</b>												
<b>AC-1/</b>	Non-inductive or only slightly inductive loads			[A]	16	25	32	40	63	80	100	10
<b>AC-21A</b>	Switching of resistive loads with slight overload											
<b>Rated power <math>P_e</math></b>												
<b>AC-23A</b>	Occasional switching of 3Ø motors and other highly inductive loads (criterion for selecting main switches)	230V	[kW]	5.5	7.5	7.5	15	18.5	22	30	—	
		400V	[kW]	7.5	11	15	22	30	37	55	—	
		690V	[kW]	7.5	11	15	18.5	22	37	45	—	
<b>AC-3</b>	Squirrel-cage motors; starting and stopping of running motors	230V	[kW]	4	5.5	7.5	11	15	18.5	22	—	
		400V	[kW]	5.5	7.5	11	15	18.5	30	37	—	
		690V	[kW]	5.5	7.5	11	15	18.5	30	22	—	
<b>Short circuit current (co-ordination type 2)</b>				[kA]	20	20	15	20	15	30	25	—
Rated conditional short-circuit current				[A]	20	25	35	50	63	80	100	—
Maximum fuse rating of circuit (type g,G)				[A]	800	900	900	1300	1300	2500	2500	—
Rated short-time current $I_{cw}$ (1 s)												
<b>Rated breaking capacity AC23A (cosφ 0.45)</b>												
230V				[A]	156	296	296	484	484	780	780	—
400V				[A]	120	256	256	504	504	800	800	—
690V				[A]	70	136	136	196	196	376	376	—
DC switching capacity												
<b>Rated current <math>I_e</math></b>	1 pole	24/48V	[A]	20	25	32	40	63	80	100	—	
		110V	[A]	5	5	6	8	10	16	20	—	
		220V	[A]	1	1	1	1.5	1.5	3	3	—	
		440V	[A]	0.5	0.5	0.5	0.6	0.6	0.7	0.7	—	
<b>DC-21A</b>	2 poles in series	96V	[A]	20	25	32	40	63	80	100	—	
		110V	[A]	20	23	25	32	50	70	80	—	
		220V	[A]	5	5	6	8	10	16	20	—	
		440V	[A]	1	1	1	1.5	1.5	3	3	—	
<b>DC-21A</b>	3 poles in series	600V	[A]	0.6	0.6	0.6	0.8	0.8	1	1	—	
		110V	[A]	20	25	32	40	63	80	100	—	
		220V	[A]	13	13	15	20	28	50	63	—	
		440V	[A]	2.2	2.2	2.2	3.6	3.6	6.5	6.5	—	
600V				[A]	1.3	1.5	1.5	2	2	3	3	—
<b>Rated power <math>P_e</math></b>												
<b>DC-23A, DC-3, DC-5</b>	3 poles in series	90V	[kW]	1	1.3	1.5	2.9	4.1	5.1	7.2	—	
		110V	[kW]	1	1.1	1.3	2.2	3.3	5.5	7	—	
		220V	[kW]	0.8	0.9	1.1	1.7	2	3.5	4.4	—	
		440V	[kW]	0.6	0.6	0.6	0.9	0.9	1.1	1.1	—	
		600V	[kW]	0.4	0.4	0.4	0.5	0.5	0.9	0.9	—	

\* See standards compliance listed on page 2-404.

\* Suitable also for SEV 500.



Bulletin 194E  
**IEC Load Switches, 16...100 A**  
 Specifications

**Electrical Ratings, Continued**

Performance Data		16 A	25 A	32 A	40 A	63 A	80 A	100 A	Aux. Contacts	
UL/CSA Applications										
Continuous current	[A]	16	25	32	40	63	80	100	—	
	Heavy Pilot Duty	[AC]	A600	A600	A600	—	—	—	A600	
	Standard Duty	[DC]	—	—	—	—	—	—	Q600	
	Motor rating 60 Hz	120V, 1P	FLA	16	16	16	24	34	56	80
			Hp	1	1	1	2	3	5	7.5
		240V, 1P	FLA	12	12	17	17	28	50	68
			Hp	2	2	3	3	5	10	15
		480V, 1P	FLA	8.5	8.5	14	21	26	34	68
			Hp	3	3	5	7.5	10	15	30
	600V, 1P	FLA	11.2	11.2	11.2	16	20	27	44	
		Hp	5	5	5	7.5	10	15	25	
	Single-phase (2 poles)	120V, 3P	FLA	13.6	13.6	19.2	30.4	40	56	84
Hp			2	2	3	5	7.5	10	15	
240V, 3P		FLA	9.6	15.2	22	28	42	68	80	
		Hp	3	5	7.5	10	15	25	30	
480V, 3P		FLA	11	14	21	27	34	52	65	
		Hp	7.5	10	15	20	25	40	50	
600V, 3P		FLA	11	11	17	22	27	52	52	
		Hp	10	10	15	20	25	50	50	
Three-phase		120V, 3P	FLA	13.6	13.6	19.2	30.4	40	56	84
			Hp	2	2	3	5	7.5	10	15
		240V, 3P	FLA	9.6	15.2	22	28	42	68	80
			Hp	3	5	7.5	10	15	25	30
	480V, 3P	FLA	11	14	21	27	34	52	65	
		Hp	7.5	10	15	20	25	40	50	
600V, 3P	FLA	11	11	17	22	27	52	52		
	Hp	10	10	15	20	25	50	50		

**Mechanical Data**

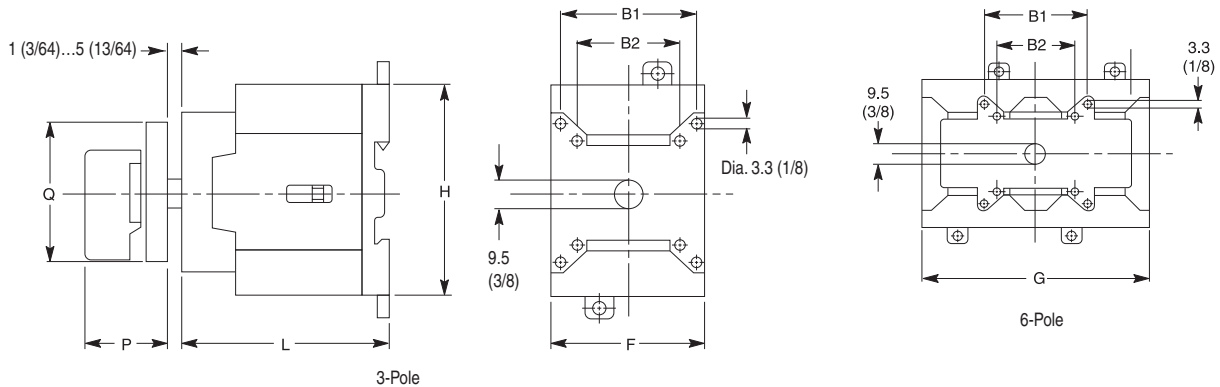
Performance Data		16 A	25...32 A	40...63 A	80...100 A	Aux. Contacts	
Protection class according to IEC 529							
Motor rating 60 Hz handles		IP66	IP66	IP66	IP66	IP66	
switch bodies		IP20	IP20	IP20	IP20	IP20	
<b>Mechanical life</b>	[million operations]	0.2	0.2	0.2	0.2	0.2	
<b>Max wire gauges</b>							
Terminal size per IEC 947-1							
rigid wire	1/2 conductor	AWG mm <sup>2</sup>	A4	A6	A7	A9	2xA2
			(1)16...10/(2)16...12 (1)1...10/(2)1...4	(1)14...8/(2)14...10 (1)1.5...16/(2)1.5...6	(1)12...4/(2)12...8 (1)2.5...25/(2)2.5...16	(1)10...1/(2)10...4 (1)4...50/(2)4...25	18...14 0.75...2.5
fine strands	1/2 conductor	AWG mm <sup>2</sup>	A4	A6	A7	A9	2xA2
			(1)16...8/(2)16...12 (1)1.5...6/(2)1.5...4	(1)14...8/(2)14...10 (1)1.5...10/(2)1...6	(1)12...4/(2)12...8 (1)2.5...16/(2)2.5...10	(1)10...1/(2)10...6 (1)4...35/(2)4...16	18...14 0.5...2.5

**Environmental Data**

Storage	-40...+80 °C (-40...+176 °F)
Operation	-25...+60 °C (-13...+140 °F)

Dimensions are shown in millimeters (inches). Dimensions are not intended to be used for manufacturing purposes.

**Front Installation Cat. No. 194E-E...**



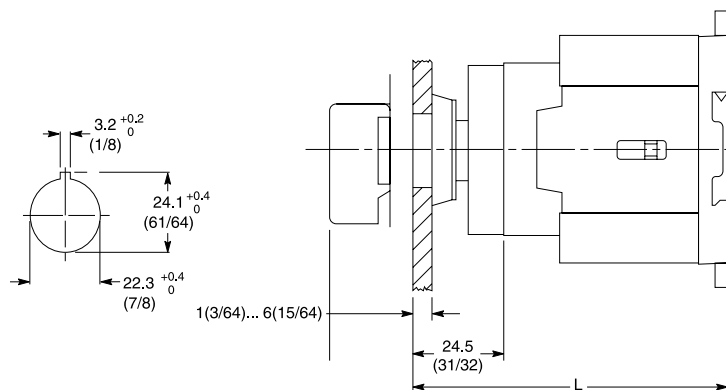
Handles		
Cat. No.	P	Q
194L-HE4A	28 (1-7/64)	48 x 48 (1-57/64 x 1-57/64)
194L-HE4I	28 (1-7/64)	48 x 48 (1-57/64 x 1-57/64)
194L-HE4S	28 (1-7/64)	48 x 62 (1-57/64 x 2-7/16)
194E-HE4N	34 (1-11/32)	54 x 54 (2-1/8 x 2-1/8)
194E-HE4G	34 (1-11/32)	54 x 54 (2-1/8 x 2-1/8)
194L-HE6A	28 (1-7/64)	64 x 64 (2-33/64 x 3-5/64)
194L-HE6I	28 (1-7/64)	64 x 64 (2-33/64 x 3-5/64)
194L-HE6S	28 (1-7/64)	64 x 78 (2-33/64 x 3-5/64)
194L-HE6N	34 (1-11/32)	67 x 67 (2-41/64 x 2-41/64)
194L-HE6G	34 (1-11/32)	67 x 67 (2-41/64 x 2-41/64)

Switch Body						
Use with Cat. No.	B1*	B2	F	H	L*	G
194E-E16	28 (1-7/64)	N/A	36 (1-37/64)	63 (2-31/64)	51 (2)	90 (3-35/64)
194E-E25/32	36 (1-27/64)	N/A	45 (1-25/32)	64 (2-33/64)	60 (2-3/8)	90 (3-1/2)
194E-E40/63	48 (1-57/64)	36 (1-27/64)	54 (2-1/8)	72 (2-27/32)	74 (2-29/32)	108 (4-1/4)
194E-E80/100	48 (1-57/64)	36 (1-27/64)	72 (2-27/32)	90 (3-35/64)	90 (3-35/64)	144 (5-11/16)

\* Does not apply to 194E-40/63A, 6-Pole Switches. Use B2 dimensions for 6-pole devices.

\* For 6-pole switches, add 1 in. to the "L" dimension.

**Cat. No. 194E-E Switch Body with Cat. No. 194L-HC4A Handle for 22.5 mm Hole Mounting Style**



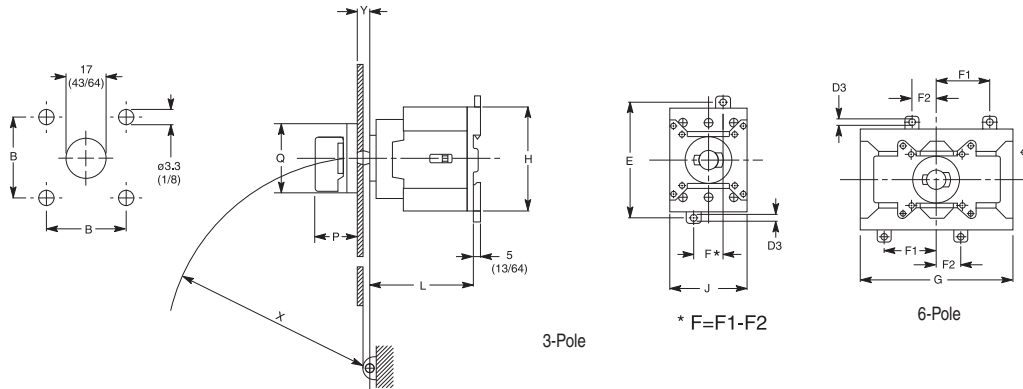
Type	L
194E-E16	76 (3)
194E-E25/32	84.5 (3-21/64)
194E-E40/63	98.5 (3-7/8)
194E-E80/100	114.5 (4-33/64)

Bulletin 194E  
**IEC Load Switches, 16...100 A**  
 Appropriate Dimensions

Dimensions are shown in millimeters (inches). Dimensions are not intended to be used for manufacturing purposes.

Base Mounting Cat. No. 194E-A...

2



Handles		
Cat. No.	P	Q
194L-HE4A	28 (1-7/64)	48 x 48 (1-57/64 x 1-57/64)
194L-HE4I	28 (1-7/64)	48 x 48 (1-57/64 x 1-57/64)
194L-HE4S	28 (1-7/64)	48 x 62 (1-57/64 x 2-7/16)
194E-HE4N	34 (1-11/32)	54 x 54 (2-1/8 x 2-1/8)
194E-HE4G	34 (1-11/32)	54 x 54 (2-1/8 x 2-1/8)
194L-HE6A	28 (1-7/64)	64 x 64 (2-33/64 x 3-5/64)
194L-HE6I	28 (1-7/64)	64 x 64 (2-33/64 x 3-5/64)
194L-HE6S	28 (1-7/64)	64 x 78 (2-33/64 x 3-5/64)
194L-HE6N	34 (1-11/32)	67 x 67 (2-41/64 x 2-41/64)
194L-HE6G	34 (1-11/32)	67 x 67 (2-41/64 x 2-41/64)

Cover Requirements				
For Use With	Y min.	X $\geq$	Y max.	X $\geq$
194E-A16	5 (13/64)	142 (5-19/32)	9.5 (3/8)	90 (3-35/64)
194E-A25/32	5 (13/64)	142 (5-19/32)	9.5 (3/8)	90 (3-35/64)
194E-A40/63	2.5 (7/64)	150 (5-29/32)	9.5 (3/8)	90 (3-35/64)
194E-A80/100	2.5 (7/64)	150 (5-29/32)	9.5 (3/8)	90 (3-35/64)

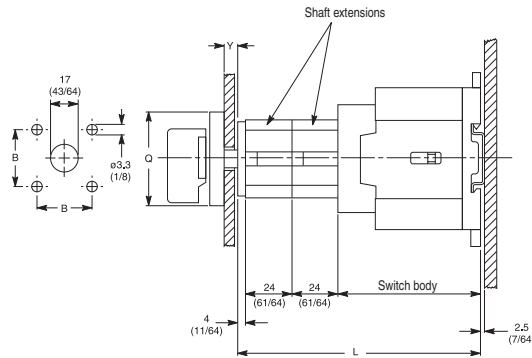
Switch Body								
Use With Cat. No.	D3	E	F1	F2	G	H	L *	J
194E-A16	4.5 (3/16)	70 (2-49/64)	45 (1-25/32)	12.5 (31/64)	90 (3-35/64)	63 (2-31/64)	80 (3-5/32)	36 (1-27/64)
194E-A25/32	4.5 (3/16)	70 (2-49/64)	30 (1-3/16)	15 (19/32)	90 (3-1/2)	64 (2-33/64)	59 (2-5/16)	45 (1-25/32)
194E-A40/63	4.5 (3/16)	80 (3-5/32)	37 (1-15/32)	17 (43/64)	108 (4-1/4)	72 (2-27/32)	73 (2-55/64)	54 (2-1/8)
194E-A80/100	5.6 (7/32)	95 (3-3/4)	48.5 (1-29/32)	23.5 (59/64)	144 (5-11/16)	90 (3-35/64)	89 (3-1/2)	72 (2-27/32)

\* For 6-pole switches, add 1 in. to the "L" dimension.

Dimensions are shown in millimeters (inches). Dimensions are not intended to be used for manufacturing purposes.

**Base Mounting Cat. No. 194E-A...**

**Cat. No. 194E-A... Switch Body with Cat. No. 194L-G2853 Shaft Extension**



Switch Body				
L *	Cat. No.			
	194E-A 16	194E-A 25/32	194E-A 40/63	194E-A 80/100
With 1 shaft extension	79 (3-7/64)	88 (3-15/32)	102 (4-1/32)	118 (4-21/32)
With 2 shaft extensions	103 (4-37/64)	112 (4-27/64)	126 (4-31/32)	142 (5-19/32)
With 3 shaft extensions	127 (5)	136 (5-23/64)	150 (5-29/32)	166 (6-35/64)
With 4 shaft extensions	151 (6-61/64)	160 (6-5/16)	174 (6-55/64)	190 (7-31/64)
With 5 shaft extensions	175 (7-57/64)	184 (7-1/4)	198 (7-51/64)	214 (8-7/16)
With 6 shaft extensions	199 (8-27/32)	208 (8-13/64)	222 (8-3/4)	238 (9-3/8)

\* For six-pole switches, add 1 in. to the "L" dimension.

Shaft	Y
194L-G2830	2.5...9.5 (7/64...3/8)
194L-G3194	9...18 (23/64...23/32)
194L-G3195	14...23 (9/16)...(29/32)

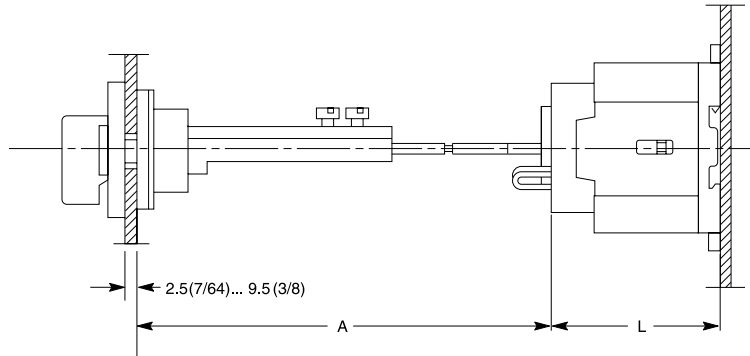
Handles			
Type	B	Q	P
194L-HE4A	36 (1-27/64)	48 x 48 (1-57/64 x 1-57/64)	28 (1-7/64)
194L-HE4I	36 (1-27/64)	48 x 48 (1-57/64 x 1-57/64)	28 (1-7/64)
194E-HE4G	28 (1-7/64)	54 x 54 (2-1/8 x 2-1/8)	34 (1-11/32)
194E-HE4N	28 (1-7/64)	54 x 54 (2-1/8 x 2-1/8)	34 (1-11/32)
194L-HE6A	48 (1-57/64)	64 x 64 (2-33/64 x 2-33/64)	28 (1-7/64)
194L-HE6I	48 (1-57/64)	64 x 64 (2-33/64 x 2-33/64)	28 (1-7/64)
194L-HE6N	48 (1-57/64)	67 x 67 (2-41/64 x 2-41/64)	34 (1-11/32)
194L-HE6G	48 (1-57/64)	67 x 67 (2-41/64 x 2-41/64)	34 (1-11/32)

Bulletin 194E  
**IEC Load Switches, 16...100 A**  
 Appropriate Dimensions

Dimensions are shown in millimeters (inches). Dimensions are not intended to be used for manufacturing purposes.

**Base Installation Cat. No. 194E-A...**

**Cat. No. 194E-A Switch Body with Metal Shaft Extension**



2

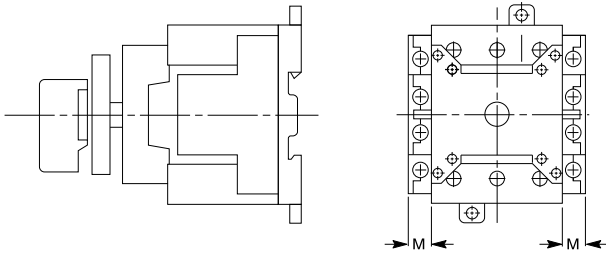
Cat. No.	A
194L-G3393	110...235 (4-11/32...9-1/4)
194L-G3394	230...350 (9-1/16...13-25/32)

Cat. No.	L*
194E-A16	51 (2)
194E-A25/32	60 (2-3/8)
194E-A40/63	74 (2-59/64)
194E-A80/100	90 (3-35/64)

\* For 6-pole switches, add 1 in. to the "L" dimension.

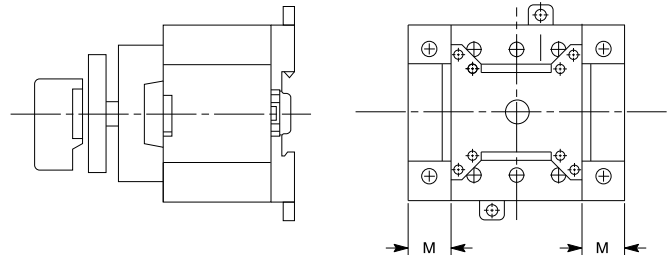
**Base and Front Installation**

**Cat. No. 194E... with Auxiliary Contact Block Installed**



Contacts	M
1 N.O. + 1 N.C.	9 (23/64)
2 N.O. + 2 N.C.	18 (23/32)

**Cat. No. 194E... with 4-Pole, Ground and Neutral Terminals**



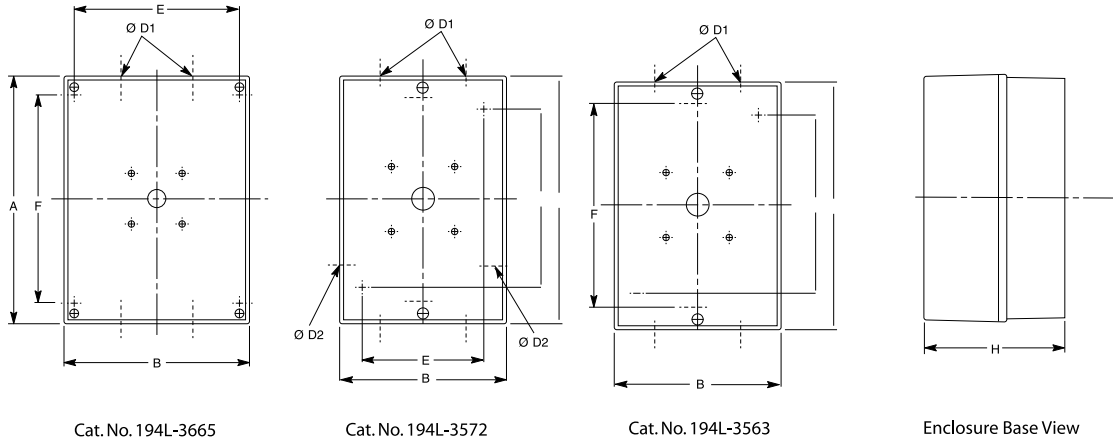
Cat. No.	M
194E-16	12.5 (31/64)
194E-25/32	14 (9/16)
194E-40/63	17.5 (11/16)
194E-80/100	22 (7/8)



Dimensions are shown in millimeters (inches). Dimensions are not intended to be used for manufacturing purposes.

**Base Mounting Cat. No. 194E-A...**

**Thermoplastic Enclosures**



Complete Switches Cat. No.	Poles	Enclosures		Height A	Width B	Knockouts*		Mounting Holes†		Depth H
		ABS Cat. No.	Noryl Cat. No.			ØD1		E	F	
194E-Y16	3 and 4	*	*	120 (4-23/32)	70 (2-3/4)	M16/M20 16/20 mm	PG11/PG16 18.5/22.5 mm	50 (1-31/32)	105 (4-9/64)	70 (2-49/65)
	6	194E-G3663	194E-G3664	180 (7-3/32)	125 (4-59/64)	M25/M30 25/30 mm	PG21/PG29 28.5/37.5 mm	On Center	145 (5-23/32)	105 (4-1/8)
194E-Y25/32	3 and 4	194L-G3572	194L-G3576	150 (5-29/32)	95 (3-3/4)	PG16/PG21 22.5/28.5 mm		60 (2-3/8)	115 (4-17/32)	86 (3-3/8)
	6	194E-G3663	194E-G3664	180 (7-3/32)	125 (4-59/64)	PG21/PG29 28.5/37.5 mm		On Center	145 (5-23/32)	105 (4-1/8)
194E-Y40/63	3 and 4	194E-G3663	194E-G3664	180 (7-3/32)	125 (4-59/64)	PG21/PG29 28.5/37.5 mm		On Center	145 (5-23/32)	105 (4-1/8)
	6	194E-G3665	194E-G3666	230 (9-1/16)	175 (6-57/64)	PG29/PG36 37.5/47.5 mm		155 (6-3/32)	195 (7-43/64)	120 (4-47/64)
194E-Y80/100	3 and 4	194E-G3665	194E-G3666	230 (9-1/16)	175 (6-57/64)	PG29/PG36 37.5/47.5 mm		155 (6-3/32)	195 (7-43/64)	120 (4-47/64)

\* Empty enclosures not available for purchase.  
 \* Cat. No. 194E-A16 units have 1 knockout on each end. all others have 2 knockouts on each end. A letter "M" in the catalog number indicates metric knockouts; the unit is otherwise supplied with PG knockouts.  
 † All mounting holes have a 4.2 mm (5/32 in.) diameter.

No. of Extensions	Cat. No. 194E-A 20/32...	Cat. No. 194E-A 40/63...	Cat. No. 194E-A 80/00...
With 1 extension	96 (3-25/32)	107 (4-7/32)	114 (4-31/64)
With 2 extensions	120 (4-23/32)	131 (5-5/32)	138 (5-7/16)
With 3 extensions	144 (5-43/64)	155 (6-7/64)	162 (6-3/8)
With 4 * extensions	168 (6-39/64)	179 (7-3/64)	186 (7-21/64)
With 5 * extensions	192 (7-9/16)	203 (8)	210 (8-17/64)
With 6 * extensions	216 (8-1/2)	227 (8-15/16)	234 (9-7/32)

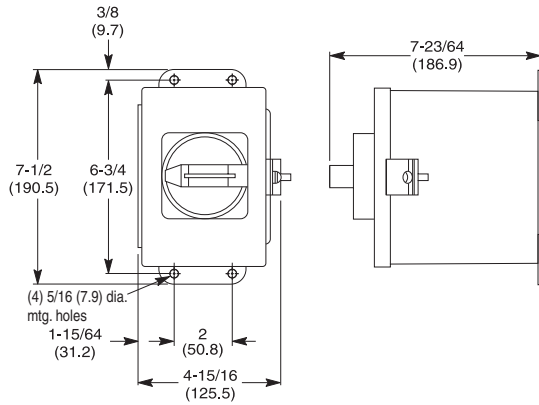
\* When more than 4 modules are used, attach the first one to the switch body using the screws supplied with the extension (Cat. No. 194L-G2853).

Bulletin 194E  
**IEC Load Switches, 16...100 A**  
 Appropriate Dimensions

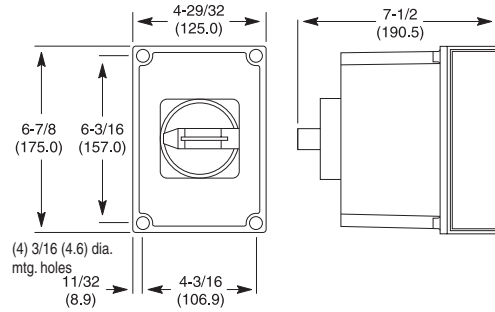
Dimensions are shown in millimeters (inches). Dimensions are not intended to be used for manufacturing purposes.

194E Enclosed Switches with 194R Handles

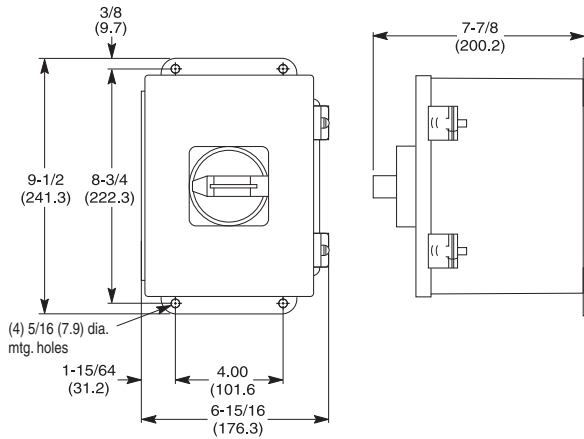
2



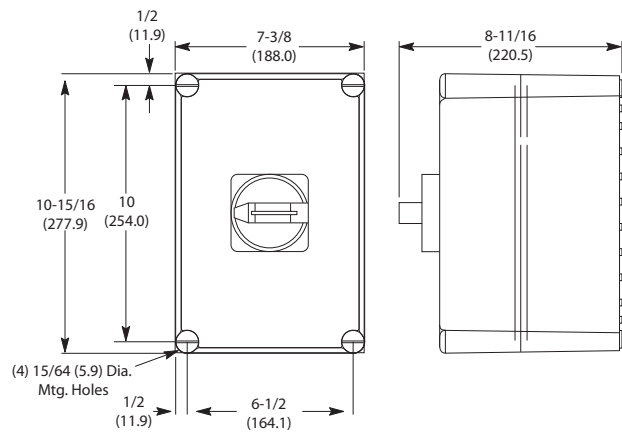
Cat. Nos. 194E-CA16...63, 194E-FA16...63, 194E-AA16...63



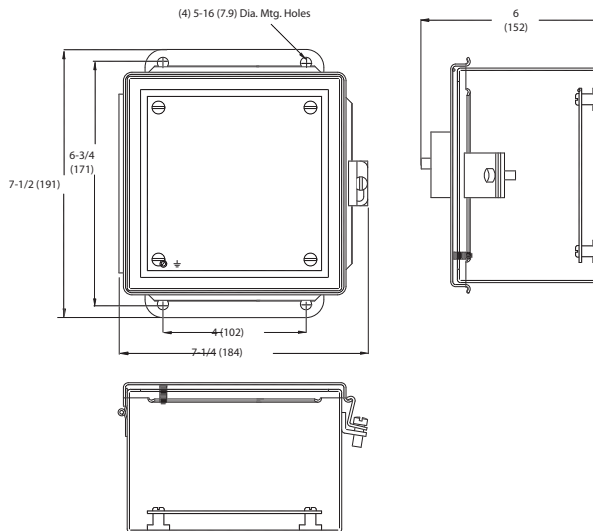
Cat. No. 194E-KA16...63



Cat. Nos. 194E-CA80...00, 194E-FA80...00, 194E-AA80...00  
 Cat. Nos. 194E-CA40X...63X, 194E-FA40X...63X, 194E-AA40X...63X



Cat. No. 194E-KA80...00



Cat. No. 194E-DA16...32, 194E-GA16...32