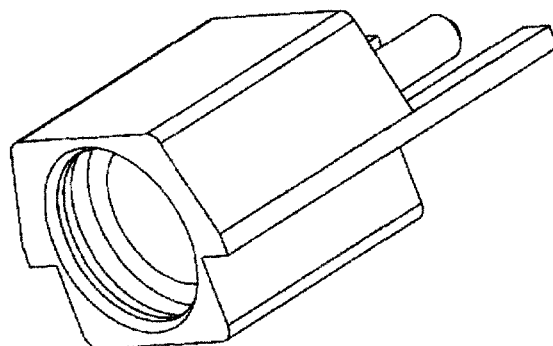


MMCX Series

50 Ohms

Micro Miniature Snap-On Coupling



Features

- 45 percent smaller than SMB connectors
- Low Profile
- For applications to 6 GHz
- Resistance to RF leakage
- For areas that are inaccessible to the normal mating action.
- Made to CECC 22340

Options

- Small Sized Cables: RG178, RG 316, RD 316, 0.047 and 0.086 Semi-rigid.
- Straight, Right-Angle, Long Crimp, Short Crimp, Printed Circuit Board types available
- Adapters available

Specifications

- CECC 22340
- QQ-B-626
- QQ-C-530
- MIL-G-45204
- ZZ-R-765

Mating Data

- RG-/U Cables (See page 30-9)

Technical Data

Materials

- Body Parts Brass, QQ-B-626 1/2 HD.
- Contacts
 - ▶ Male Brass
 - ▶ Female Beryllium copper QQ-C-530
- Insulators PTFE Fluorocarbon
- Gaskets Silicone Rubber ZZ-R-765

Plating

All parts plated to meet finish and corrosion requirements of MIL-C-39012

- Finish
 - ▶ Gold MIL-G-45204
 - ▶ Nickel IP23

Electrical Performance

- Impedance 50Ω
- Frequency D.C. to 6 GHz

- Insulation Resistance 5,000 MΩ Minimum
- Voltage Rating 170 VRMS
- Dielectric Withstanding 500 VRMS at sea level
- Voltage Standing Wave ratio (VSWR) 1.2 max to 4 GHz
- Insertion Loss 0.2 times square root fGHz

Mechanical Performance

- Connector Durability 500 cycles Minimum
- Force to Engage and Disengage
 - ▶ Engagement 3.3 lbs Maximum
 - ▶ Separation 1.32 lbs Minimum 3.3 lbs Maximum

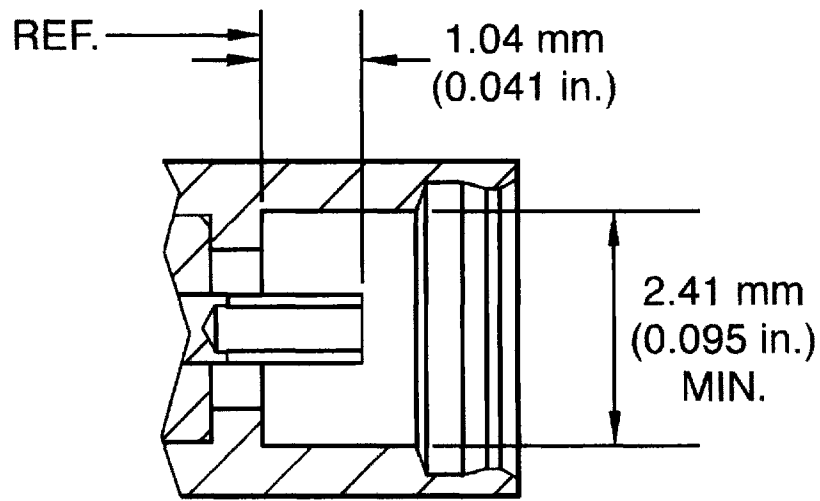
Packaging

- Single Bags
- Custom packaging available upon request.

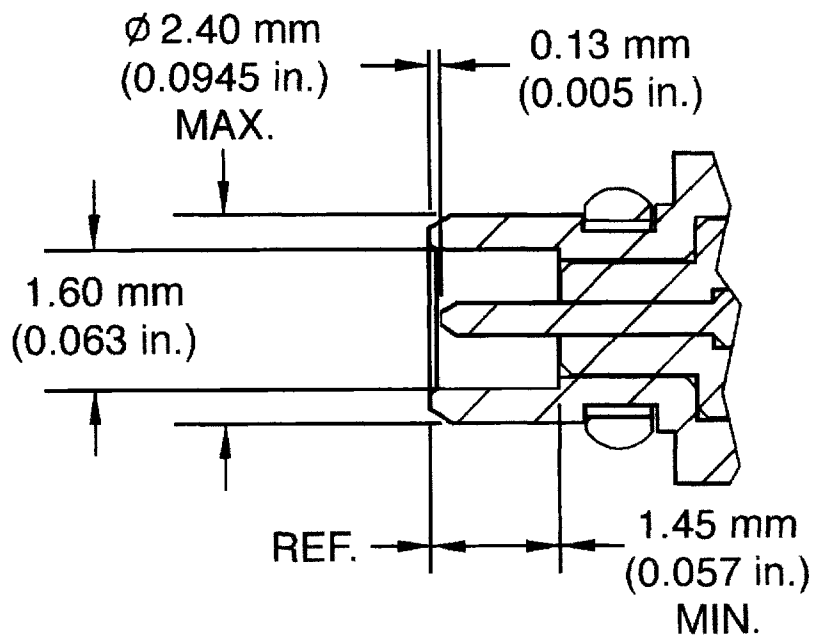
Customer Support Materials

Description	Order No.	Description	Order No.
Customer Product Drawings	By Part Number	Product Samples	Upon Request
Product Substitutions	Contact Technical Support	Test Data	Upon Request

Interface Dimensions per CECC 22340



JACK

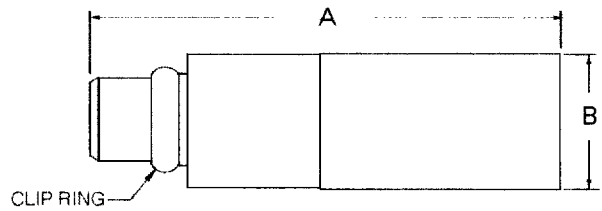
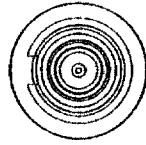


PLUG

MMCX 50 Ohm Cable Plugs

Description

MMCX 50 Ohm Cable Plug -
Short Crimp Straight



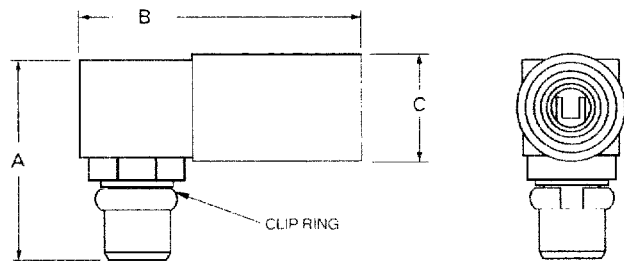
Ordering Data

MMCX 50 Ohm Cable Plug - Short Crimp Straight

Part Number	Cable	Crimp Tool Hex		Dimension				Finish	Assembly Instructions
		mm	in.	A		B			
69P103-1	RG 316	3.25	0.128	13.46	0.530	3.86	0.152	Nickel	AI-339
69P103-2	RD 316	3.84	0.151	13.46	0.530	4.55	0.179	Nickel	AI-339
69P103-3	RG 316	2.67	0.105	13.46	0.530	3.86	0.152	Nickel	AI-339
69P103-4	RD 316	3.84	0.151	13.46	0.530	4.55	0.179	Gold	AI-339
69P103-5	RG 316	2.67	0.105	13.46	0.530	3.15	0.124	Nickel	AI-339
69P103-6	RG 316	2.67	0.105	13.46	0.530	3.15	0.124	Gold	AI-339

Description

MMCX 50 Ohm Cable Plug -
Short Crimp Right-Angle



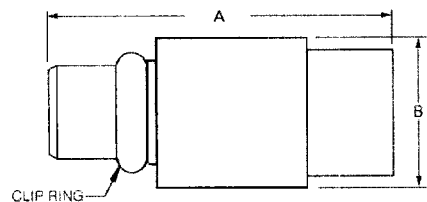
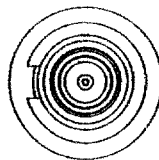
Ordering Data

MMCX 50 Ohm Cable Plug - Short Crimp Right-Angle

Part Number	Cable	Crimp Tool Hex		Dimension						Finish	Assembly Instructions
		mm	in.	A		B		C			
69P104-1	RG316	3.25	0.128	7.11	0.280	10.16	0.400	3.86	0.152	Nickel	AI-340
69P104-2	RD316	3.84	0.151	7.11	0.280	10.16	0.400	4.55	0.179	Nickel	AI-340
69P104-3	RG316	3.25	0.128	7.11	0.280	10.16	0.400	3.86	0.152	Gold	AI-340
69P104-4	RD316	3.84	0.151	7.11	0.280	10.16	0.400	4.55	0.179	Gold	AI-340
69P104-5	RG178	2.67	0.105	7.11	0.280	10.16	0.400	3.15	0.124	Nickel	AI-340
69P104-6	RG178	2.67	0.105	7.11	0.280	10.16	0.400	3.15	0.124	Gold	AI-340

Description

MMCX 50 Ohm Cable Plug -
Solder Straight



Ordering Data

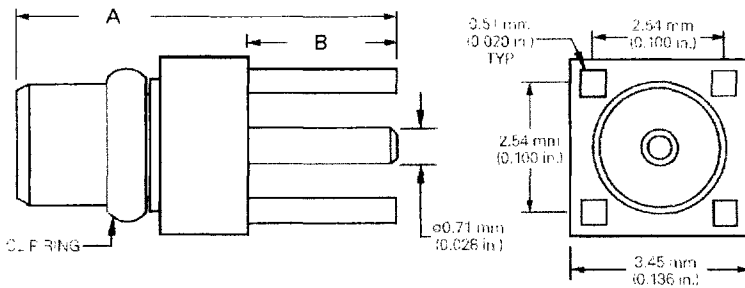
MMCX 50 Ohm Cable Plug - Solder Straight

Part Number	Cable	Dimension				Finish	Assembly Instructions
		A		B			
69P100-1	0.086 SR	8.76	0.345	3.81	0.150	Nickel	AI-337
69P100-2	0.086 SR	8.76	0.345	3.81	0.150	Gold	AI-337
69P100-3	0.047 SR	8.76	0.345	3.81	0.150	Nickel	AI-337
69P100-4	0.047 SR	8.76	0.345	3.81	0.150	Gold	AI-337

To obtain Assembly Instructions contact Berg Electronics at 1-800-237-2374 Ext.-2800

MMCX Receptacles

Description
MMCX Receptacle Plug -
Printed Circuit Board Mount
Straight

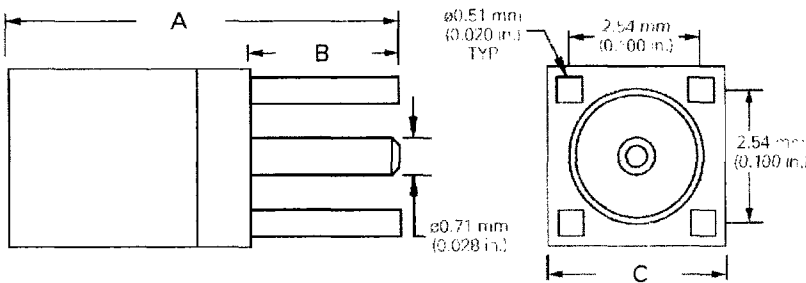


Ordering Data

MMCX Receptacle Plug - Printed Circuit Board Mount Straight

Part Number	Dimension				Finish	Mtg. PCB
	A		B			
	mm	in.	mm	in.		
69P101-1	7.42	0.292	2.92	0.115	Nickel	C1
69P101-2	7.42	0.292	2.92	0.115	Gold	C1

Description
MMCX Receptacle Jack -
Printed Circuit Board Mount
Straight

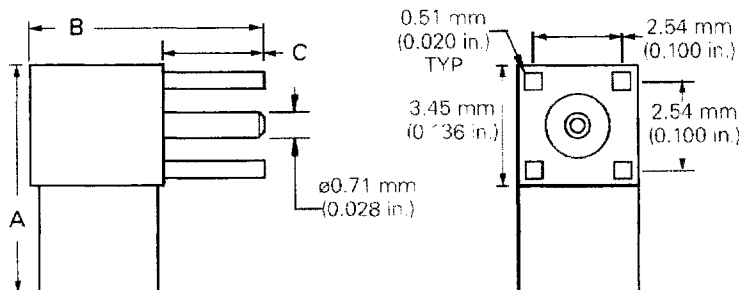


Ordering Data

MMCX Receptacle Jack - Printed Circuit Board Mount Straight

Part Number	Dimension						Finish	Mtg. PCB
	A		B		C			
	mm	in.	mm	in.	mm	in.		
69JR100-1	7.62	0.300	2.92	0.115	3.45	0.136	Nickel	C1
69JR100-2	7.62	0.300	2.92	0.115	3.45	0.136	Gold	C1

Description
MMCX Receptacle Jack -
Printed Circuit Board Mount
Right-Angle



Ordering Data

MMCX Receptacle Jack - Printed Circuit Board Mount Right-Angle

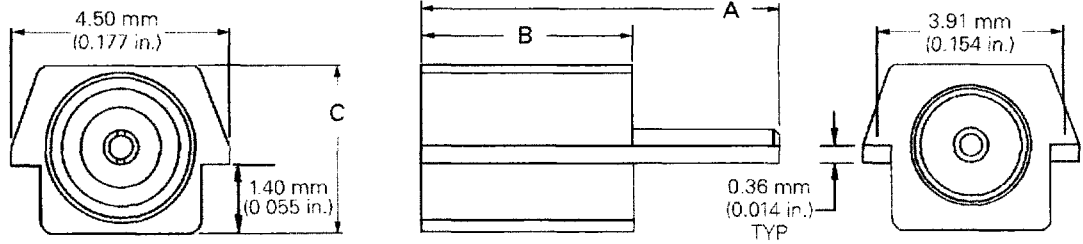
Part Number	Dimension						Finish	Mtg. PCB
	A		B		C			
	mm	in.	mm	in.	mm	in.		
69JR101-1	6.50	0.256	6.73	0.265	2.92	0.115	Nickel	C1
69JR101-2	6.50	0.256	6.73	0.265	2.92	0.115	Gold	C1

To obtain Assembly Instructions contact Berg Electronics at 1-800-237-2374 Ext.-2800

MMCX Series
50 Ohm - Receptacle

Description

MMCX 50 Ohm Receptacle - Printed Circuit Board Edge Mount Straight



Ordering Data

MMCX 50 Ohm Receptacle - Printed Circuit Board Edge Mount Straight

Part Number	Dimension						Finish	Mtg. PCB
	A		B		C			
	mm	in.	mm	in.	mm	in.		
69JR103-1	7.44	0.293	4.39	0.173	3.45	0.136	Nickel	E1
69JR103-2	7.44	0.293	4.39	0.173	3.45	0.136	Gold	E1

To obtain Assembly Instructions contact Berg Electronics at 1-800-237-2374 Ext.-2800