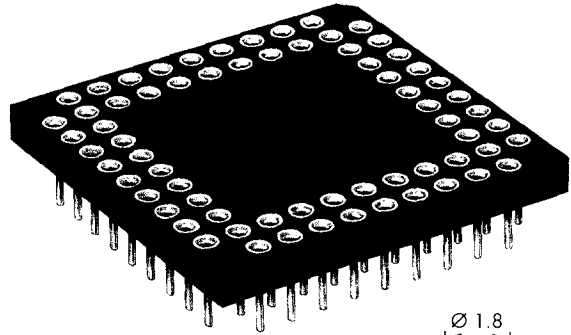
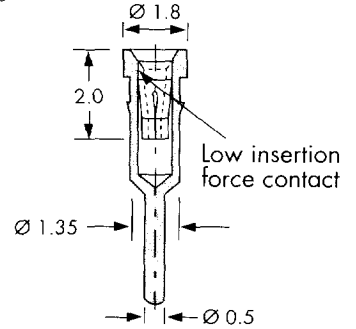
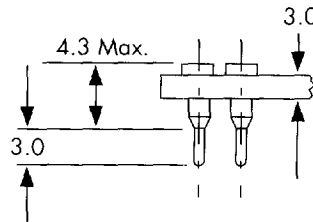


PIN GRID ARRAY SOCKETS



A wide range of sockets designed to accept pin grid array packages.

- Uses low insertion force turned pin sockets.
- Tapered entry body assures safe and easy insertion of IC lead.
- Any socket configuration can be manufactured to custom design specification.
- Glass filled polyester moulding UL94V-0.



GRID PATTERNS AND ORDER CODES

<p>64 Way D69064A-01</p>	<p>68 Way D69068A-01</p>	<p>68 Way D69068B-01</p>	<p>72 Way D69072A-01</p>
<p>73 Way D69073A-01</p>	<p>84 Way D69084A-01</p>	<p>84 Way D69084B-01</p>	<p>84 Way D69084E-01</p>
<p>88 Way D69088B-01</p>	<p>114 Way D69114B-01</p>	<p>120 Way D69120A-01</p>	<p>124 Way D69124A-01</p>

K7

Custom Variants

For socket configurations not shown, please fax a sketch to HARWIN detailing the pin configuration.