



DRS1/DRS4 SERIES ACCESSORIES



Features

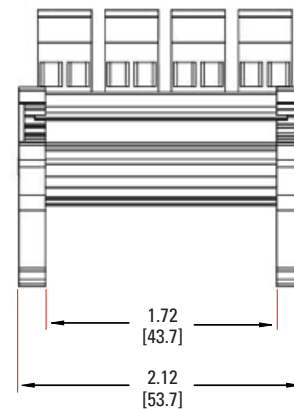
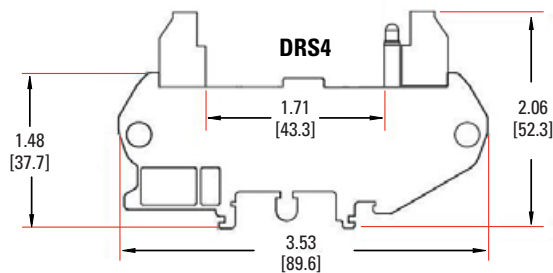
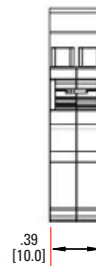
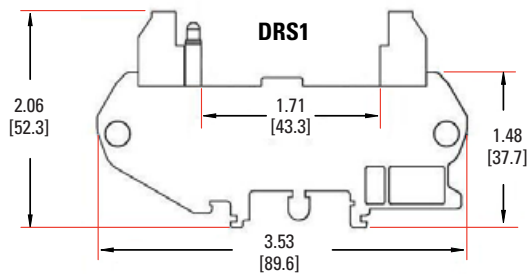
- 10 mm Single Channel and 54mm Four Channel DIN Rail Mount Sockets
- Input status LED for either 3 to 15, 20-28 or 15-32 VDC control
- Cage style screw terminals for easy connection
- Fits standard 35mm DIN rail

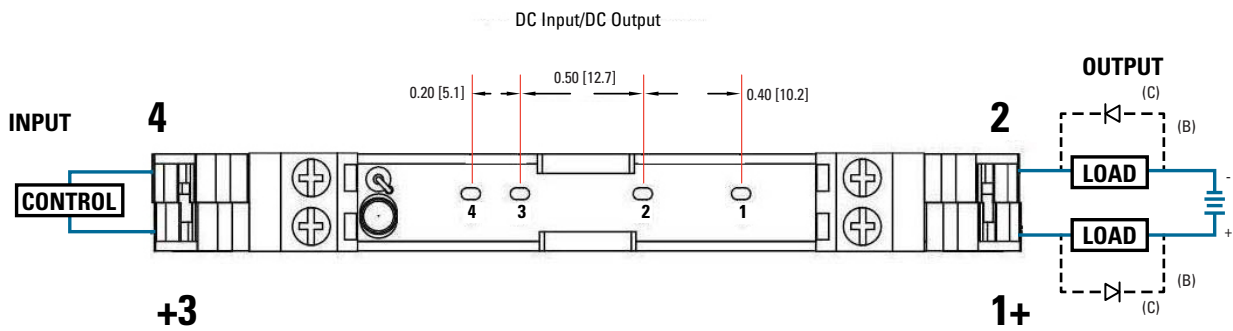
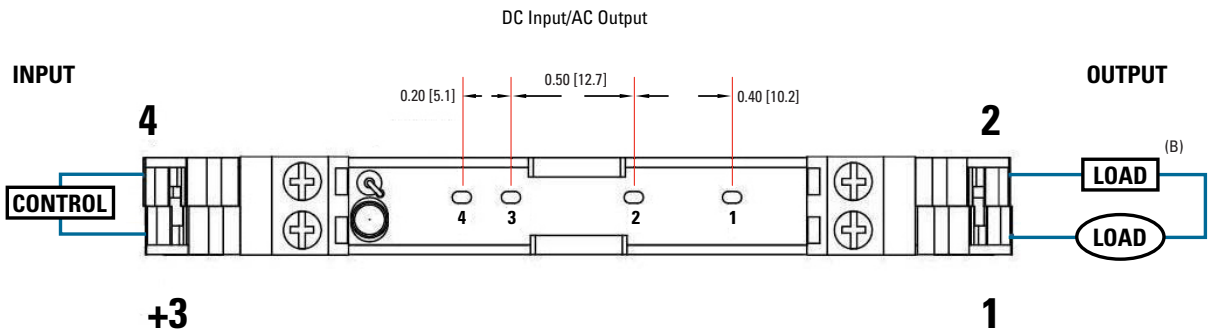
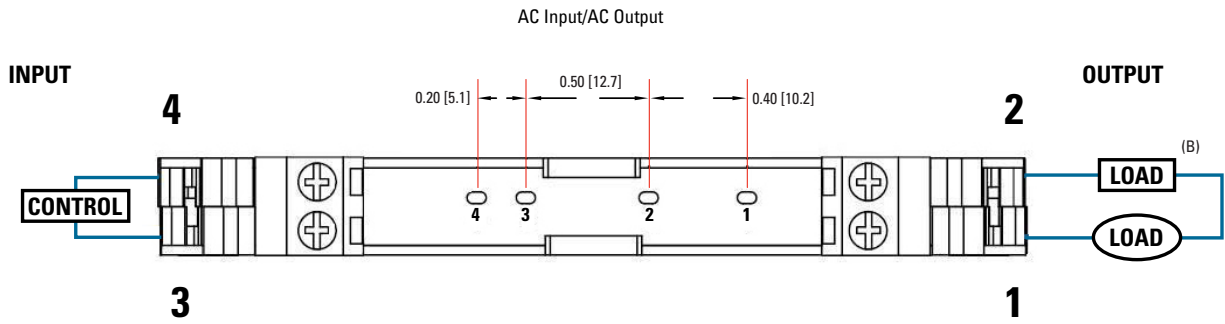
PRODUCT SELECTION

Description	Parameters
Single Channel	DRS1
Four Channel	DRS4

MECHANICAL SPECIFICATIONS

Tolerances: ± 0.02 in / 0.5 mm
 All dimensions are in: inches [millimeters]

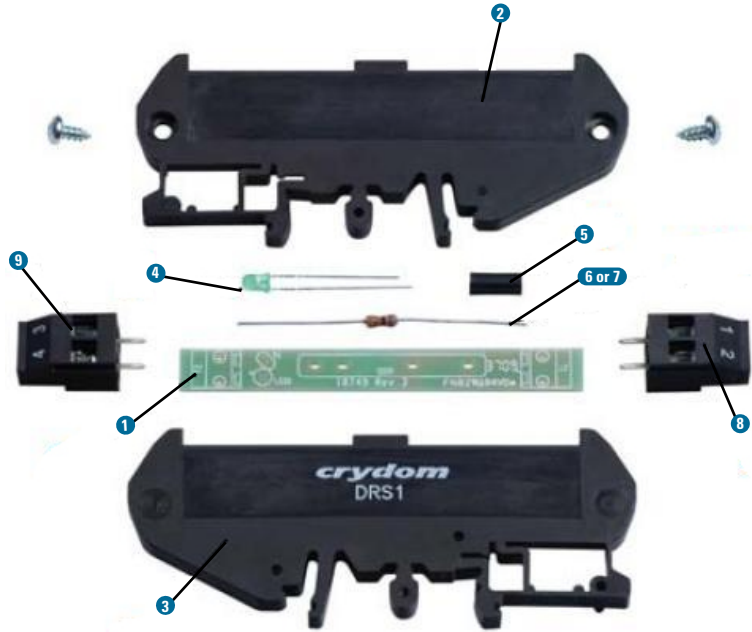




DRS1 - SINGLE CHANNEL SOCKET (D)

List of parts included in the kit	Quantity
1 Printed circuit board	1
2 Housing - right side (includes 2 screws)	1
3 Housing - left side	1
4 Green LED	1
5 LED standoff	1

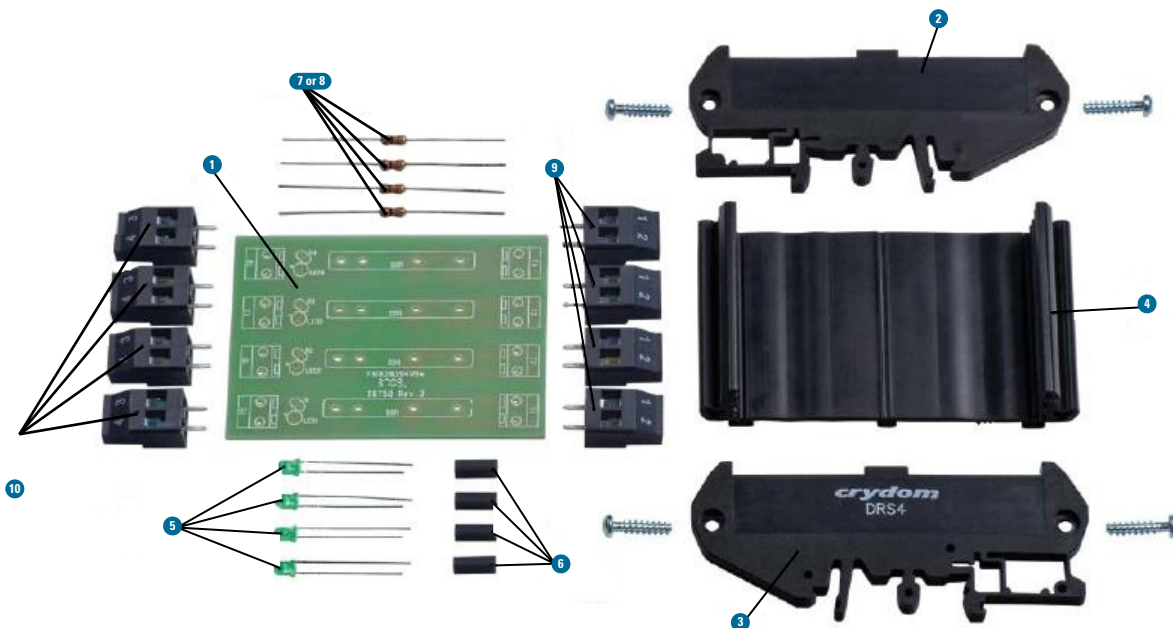
List of parts included in the kit	Quantity
6 Resistor 1K Ω , 0.25W (brown-black-red)	1
7 Resistor 4.7K Ω , 0.25W (yellow-violet-red)	1
8 Outside terminal block	1
9 Input terminal block	1



DRS4 - FOUR CHANNEL SOCKET (D)

List of parts included in the kit	Quantity
1 Printed circuit board	1
2 Housing - right side (includes 2 screws)	1
3 Housing - left side (includes 2 screws)	1
4 Profile extrusion	1
5 Green LED	4

List of parts included in the kit	Quantity
6 LED standoff	4
7 Resistor 1K Ω , 0.25W (brown-black-red)	4
8 Resistor 4.7K Ω , 0.25W (yellow-violet-red)	4
9 Outside terminal block	4
10 Input terminal block	4





GENERAL NOTES

- (A) Wiring diagram is identical for each individual section whether it is single or four channel assembly.
- (B) Load can be placed on either side of "Power".
- (C) DC Inductive loads must be diode suppressed to prevent damage to SSR.
- (D) Use 1K Ω (brown-black-red) resistor for applications with control voltage range between 3-15 Vdc and 4.7K Ω (yellow-violet-red) resistor for applications with control voltage range between 15-32 Vdc. LED status indicator is not required for proper function of the SSR and may be omitted. No resistors are needed when LED is not installed. For AC input SSR control applications LED status indicator and resistor must not be used. SSR(s) purchased separately.

Note: Socket configuration must be coordinated with relay selection for installation.

WARNINGS



RISK OF MATERIAL DAMAGE AND HOT ENCLOSURE

- The product's side panels may be hot, allow the product to cool before touching
- Follow proper mounting instructions including torque values
- Do not allow liquids or foreign objects to enter this product

Failure to follow these instructions can result in serious injury, or equipment damage.



HAZARD OF ELECTRIC SHOCK, EXPLOSION OR ARC FLASH

- Disconnect all power before installing or working with this equipment
- Verify all connections and replace all covers before turning on power

Failure to follow these instructions will result in death or serious injury

Sensata Technologies, Inc. ("Sensata") data sheets are solely intended to assist designers ("Buyers") who are developing systems that incorporate Sensata products (also referred to herein as "components"). Buyer understands and agrees that Buyer remains responsible for using its independent analysis, evaluation and judgment in designing Buyer's systems and products. Sensata data sheets have been created using standard laboratory conditions and engineering practices. Sensata has not conducted any testing other than that specifically described in the published documentation for a particular data sheet. Sensata may make corrections, enhancements, improvements and other changes to its data sheets or components without notice.

Buyers are authorized to use Sensata data sheets with the Sensata component(s) identified in each particular data sheet. HOWEVER, NO OTHER LICENSE, EXPRESS OR IMPLIED, BY ESTOPPEL OR OTHERWISE TO ANY OTHER SENSATA INTELLECTUAL PROPERTY RIGHT, AND NO LICENSE TO ANY THIRD PARTY TECHNOLOGY OR INTELLECTUAL PROPERTY RIGHT, IS GRANTED HEREIN. SENSATA DATA SHEETS ARE PROVIDED "AS IS". SENSATA MAKES NO WARRANTIES OR REPRESENTATIONS WITH REGARD TO THE DATA SHEETS OR USE OF THE DATA SHEETS, EXPRESS, IMPLIED OR STATUTORY, INCLUDING ACCURACY OR COMPLETENESS. SENSATA DISCLAIMS ANY WARRANTY OF TITLE AND ANY IMPLIED WARRANTIES OF MERCHANTABILITY, FITNESS FOR A PARTICULAR PURPOSE, QUIET ENJOYMENT, QUIET POSSESSION, AND NON-INFRINGEMENT OF ANY THIRD PARTY INTELLECTUAL PROPERTY RIGHTS WITH REGARD TO SENSATA DATA SHEETS OR USE THEREOF.

All products are sold subject to Sensata's terms and conditions of sale supplied at www.sensata.com SENSATA ASSUMES NO LIABILITY FOR APPLICATIONS ASSISTANCE OR THE DESIGN OF BUYERS' PRODUCTS. BUYER ACKNOWLEDGES AND AGREES THAT IT IS SOLELY RESPONSIBLE FOR COMPLIANCE WITH ALL LEGAL, REGULATORY AND SAFETY-RELATED REQUIREMENTS CONCERNING ITS PRODUCTS, AND ANY USE OF SENSATA COMPONENTS IN ITS APPLICATIONS, NOTWITHSTANDING ANY APPLICATIONS-RELATED INFORMATION OR SUPPORT THAT MAY BE PROVIDED BY SENSATA.

Mailing Address: Sensata Technologies, Inc., 529 Pleasant Street, Attleboro, MA 02703, USA.

CONTACT US

Americas

+1 (877) 502 5500 – Option 2
sales.crydom@sensata.com

Europe, Middle East & Africa

+44 (1202) 416170
ssr-info.eu@sensata.com

Asia Pacific

sales.isasia@list.sensata.com
China +86 (21) 2306 1500
Japan +81 (45) 277 7117
Korea +82 (31) 601 2004
India +91 (80) 67920890
Rest of Asia +886 (2) 27602006
ext 2808