

PLEASE CHECK WWW.MOLEX.COM FOR LATEST PART INFORMATION

Part Number: [0351810214](#)
Status: **Active**
Overview: [VersaBlade Wire-to-Wire Connector System](#)
Description: [VersaBlade Multi-Module Hybrid Plug Housing, 2 Circuits, Friction Lock, Type B, Blue](#)

Documents:

Drawing (PDF)	Datasheet (PDF)
Product Specification PS-35182-003-001 (PDF)	Brochure (PDF)
Packaging Specification 351810200-100 (PDF)	RoHS Certificate of Compliance (PDF)

Agency Certification

CSA	LR19980
UL	E29179

General

Product Family	Crimp Housings
Series	35181
Application	Power, Wire-to-Wire
Overview	VersaBlade Wire-to-Wire Connector System
Product Name	VersaBlade
Taxonomy	Connector Housings
UPC	756054258415

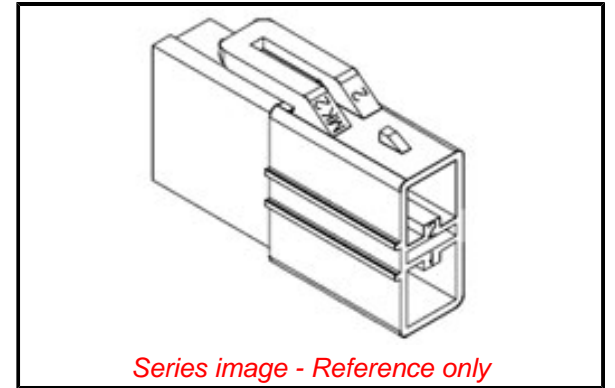
Physical

Circuits (maximum)	2
Color - Resin	Blue
Flammability	94V-0
Gender	Plug
Glow-Wire Capable	No
Keying to Mating Part	None
Lock to Mating Part	Yes
Material - Resin	PBT
Net Weight	1.860/g
Number of Rows	2
Packaging Type	Bag
Panel Mount	No
Pitch - Mating Interface	8.00mm
Pitch - Termination Interface	8.00mm
Polarized to Mating Part	Yes
Stackable	No
Temperature Range - Operating	-40° to +120°C

Material Info

Reference - Drawing Numbers

Packaging Specification	351810200-100
Product Specification	PS-35182-003-001
Sales Drawing	SD-35181-021X-001



Series image - Reference only

EU ELV

Not Relevant

EU RoHS

Compliant

REACH SVHC

Not Contained per -
D(2022)9120-DC (17
Jan 2023)

Halogen-Free

Status

Not Low-Halogen

For more information, please visit [Contact US](#)

China ROHS

ELV

RoHS Phthalates

China RoHS

Green Image

Not Relevant

Not Contained

Search Parts in this Series

[35181](#) Series

Mates With

VersaBlade Multi-Module 2-2 and 2-2-2
Receptacle Housings [35180](#)

Use With

VersaBlade Crimp Terminals [35745](#)

VersaBlade TPA [351820190](#) ,
[351820192](#) , [351820193](#) , [351820194](#)