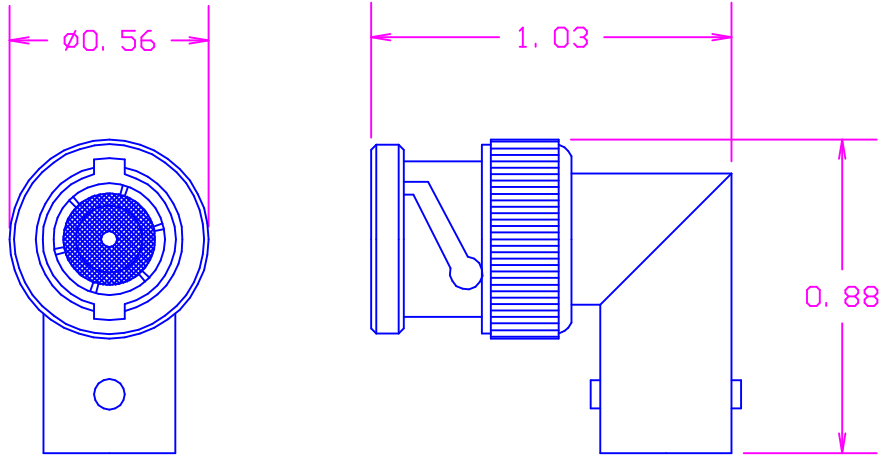
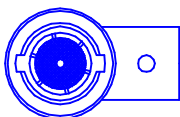
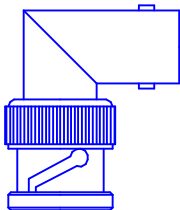


DATE	SYM	REVISION RECORD	AUTH.	DR.	CK.
12/8/98	-	ISSUED		NT	GH



MATERIAL: BODY- BRASS PER ASTM B16,
 FEMALE CONTACT- BERYLLIUM COPPER PER ASTM B196
 MALE CONTACT- BERYLLIUM COPPER PER ASTM B196
 INSULATION- PTFE PER ASTM D1710
 GASKETS- SILICON RUBBER, ZZ-R-765, CLASS II, GR.50
 FINISH: CONTACT- GOLD PLATED
 BODY- NICKEL PLATED
 IMPEDANCE: 50 OHMS REF.

ACTUAL SIZE



TOLERANCES REF. ONLY	CONCORD ELECTRONICS CORPORATION		
DECIMAL + -	P/N	SCALE	30 GREAT JONES ST. NEW YORK N. Y. 10012
FRACTIONAL + -	TITLE RIGHT ANGLE BNC FEMALE TO BNC MALE		
+ -	DATE 12/9/98	DRAWING NUMBER 800-2462-3J	