



Raychem

TE Internal #: 3160353004

Twisted Pair Cable, Spec 55, 600VAC Voltage Rating, 24AWG Wire

Size, Operating Temperature Range -65 – 150 °C

[View on TE.com >](#)

Wire & Cable > Twisted Pair Cable



Cable Type: **Spec 55**

Voltage Rating: **600 VAC**

Insulation Material: **Modified Radiation Cross-linked ETFE Polymer**

Conductor Material: **Tin-Coated Copper**

Wire Size: **24 AWG**

Features

Product Type Features

Cable Type	Spec 55
------------	---------

Electrical Characteristics

Voltage Rating	600 VAC
----------------	---------

Body Features

Insulation Material	Modified Radiation Cross-linked ETFE Polymer
Conductor Material	Tin-Coated Copper

Dimensions

Wire Size	24 AWG
-----------	--------

Usage Conditions

Operating Temperature Range	-65 – 150 °C
-----------------------------	--------------

Product Compliance

[For compliance documentation, visit the product page on TE.com>](#)

EU RoHS Directive 2011/65/EU	Compliant
EU ELV Directive 2000/53/EC	Compliant
China RoHS 2 Directive MIIT Order No 32, 2016	No Restricted Materials Above Threshold
EU REACH Regulation (EC) No. 1907/2006	



Current ECHA Candidate List: JUN 2020 (209)
 Candidate List Declared Against: JUN 2020 (209)
 Does not contain REACH SVHC

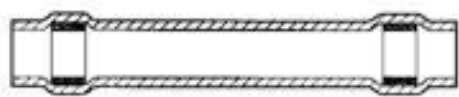
Halogen Content: Out of Scope - excluded from Halogen requirements

Solder Process Capability: Not applicable for solder process capability

Product Compliance Disclaimer

This information is provided based on reasonable inquiry of our suppliers and represents our current actual knowledge based on the information they provided. This information is subject to change. The part numbers that TE has identified as EU RoHS compliant have a maximum concentration of 0.1% by weight in homogenous materials for lead, hexavalent chromium, mercury, PBB, PBDE, DBP, BBP, DEHP, DIBP, and 0.01% for cadmium, or qualify for an exemption to these limits as defined in the Annexes of Directive 2011/65/EU (RoHS2). Finished electrical and electronic equipment products will be CE marked as required by Directive 2011/65/EU. Components may not be CE marked. Additionally, the part numbers that TE has identified as EU ELV compliant have a maximum concentration of 0.1% by weight in homogenous materials for lead, hexavalent chromium, and mercury, and 0.01% for cadmium, or qualify for an exemption to these limits as defined in the Annexes of Directive 2000/53/EC (ELV). Regarding the REACH Regulation, the information TE provides on SVHC in articles for this part number is based on the latest European Chemicals Agency (ECHA) 'Guidance on requirements for substances in articles' posted at this URL: <https://echa.europa.eu/guidance-documents/guidance-on-reach>

Compatible Parts



TE Model / Part # 650074-000
D-436-36

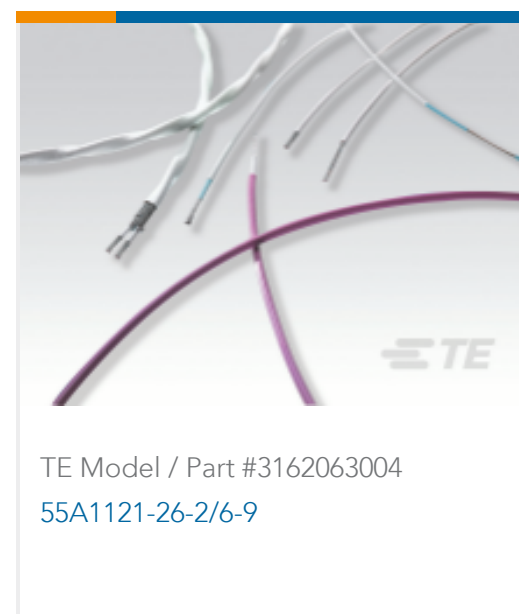
Customers Also Bought



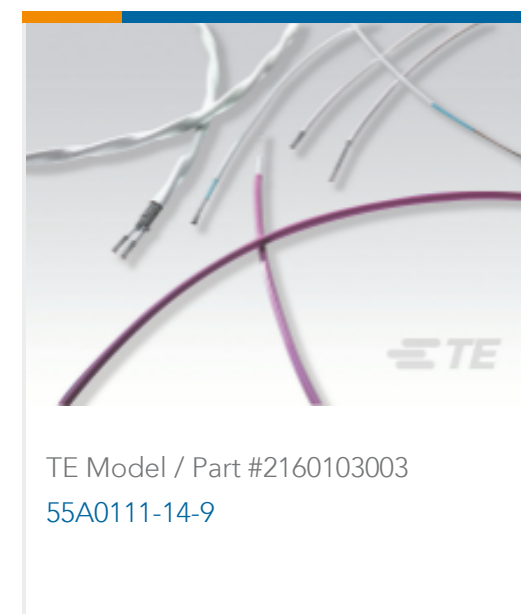
TE Model / Part #D09793-000
224W511-25-0



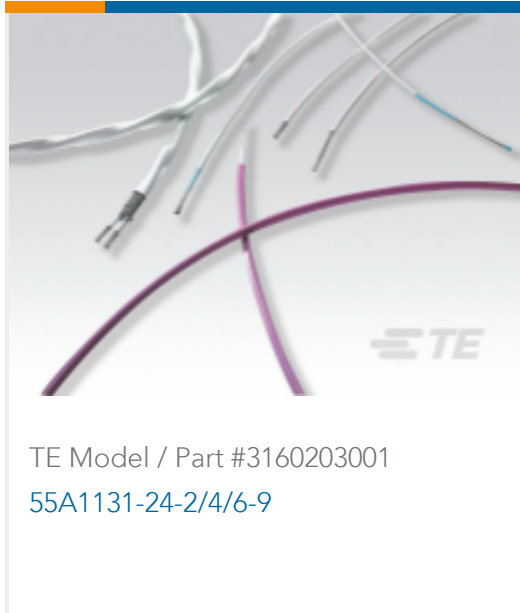
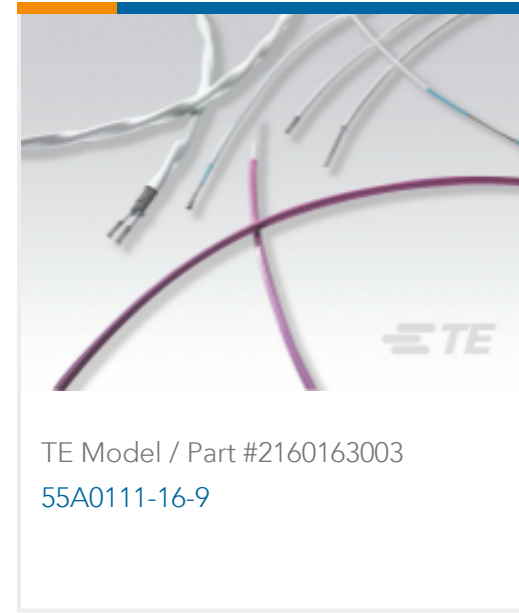
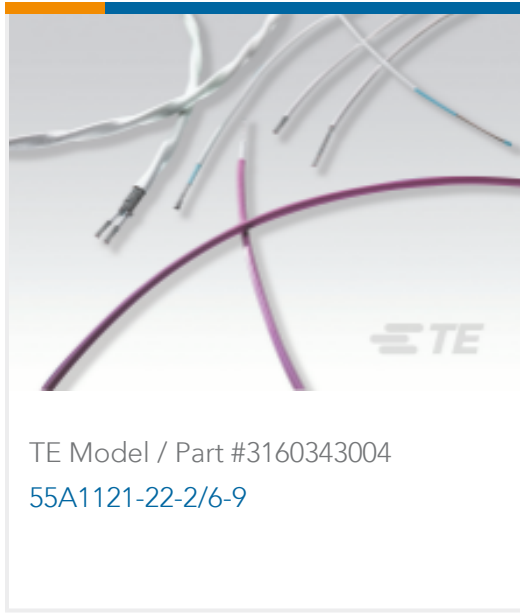
TE Model / Part #5677694001
RNF-3000 Single Wall Spool HS Tubing



TE Model / Part #3162063004
55A1121-26-2/6-9



TE Model / Part #2160103003
55A0111-14-9



Documents

Product Drawings

[55A1121-24-2/6-9](#)

English

Datasheets & Catalog Pages

[1654025_Sec9_SPEC55](#)

English

[Raychem Wire and Cable Quick Reference Guide](#)

English