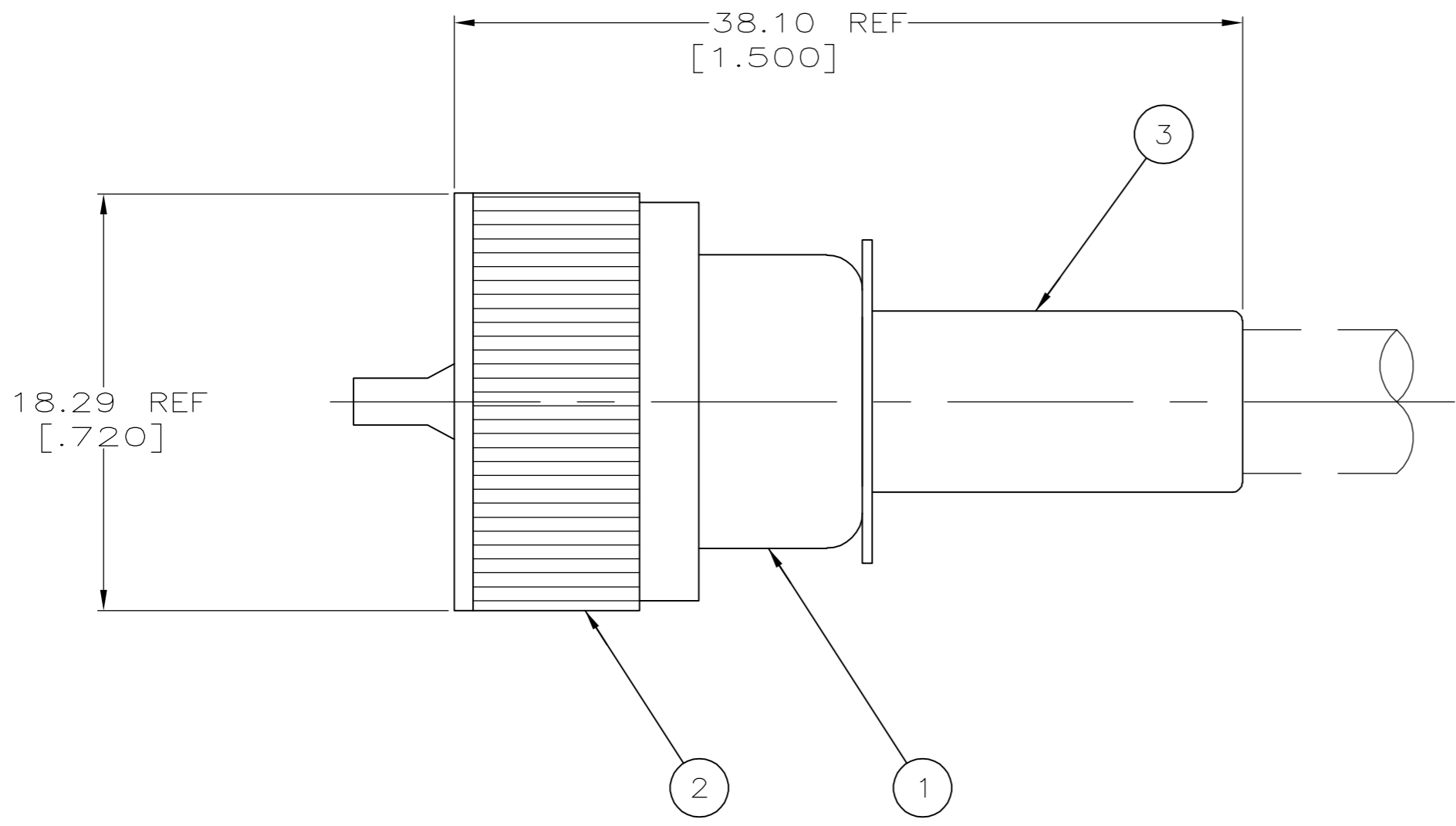
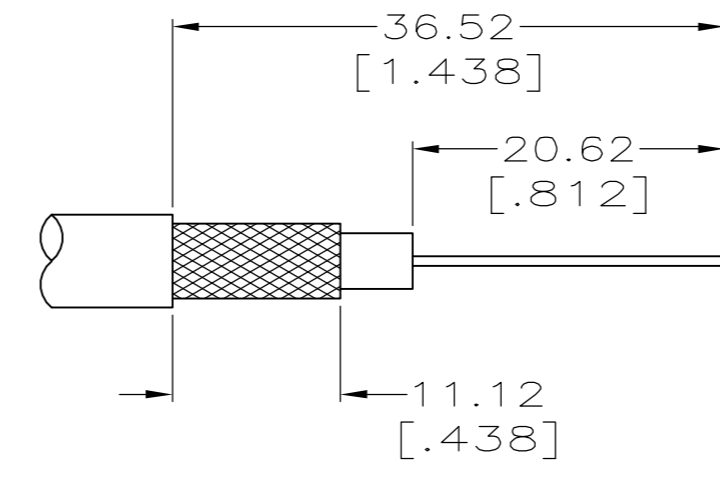


THIS DRAWING IS UNPUBLISHED. RELEASED FOR PUBLICATION  
 © COPYRIGHT BY TYCO ELECTRONICS CORPORATION. ALL RIGHTS RESERVED.

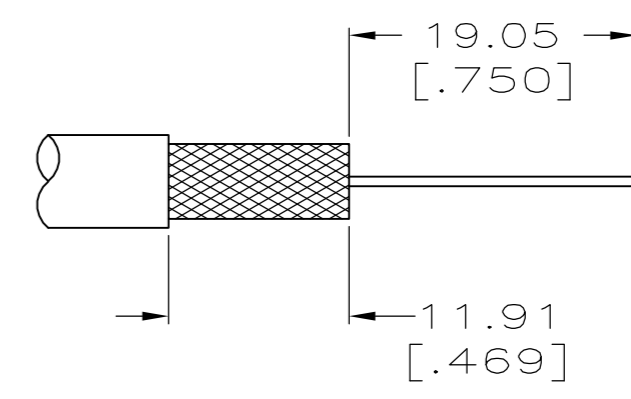
LOC		DIST		REVISIONS					
AJ		16		P	LTR	DESCRIPTION	DATE	DWN	APVD
				N		REVISED PER EC 0514-0456-04	13DEC05	BL	JL



1. SEE INSTRUCTION SHEET #2491-1.  
 △ OBSOLETE PART NUMBER.



DETAIL A  
SCALE 2:1



DETAIL B  
SCALE 2:1

RECOMMENDED STRIP LENGTH

OBSOLETE	A	220094-1	RG-58/U	226304-3	222649-2	226219-1	1-226208-9	
OBSOLETE	B	220095-1	RG-8/U, 213/U	226213-6	222649-2	226209-1	1-226208-8	
	-	-	-	-	-	-	△ 1-226208-7	
	A	220094-1	RG-59/U, 59A/U, 59B/U	226213-2	226309-2	226219-1	1-226208-6	
	-	-	-	-	-	-	△ 1-226208-4	
OBSOLETE	A	220094-1	RG-58/U, 58A/U, 58B/U, 58C/U	226304-3	226309-2	226219-1	1-226208-3	
OBSOLETE	B	220095-1	RG-8/U, 8A/U, 213/U	226213-6	226309-2	226209-1	1-226208-1	
SUPERSEDED BY 226279-3		A	220094-1	RG-59/U, 59A/U, 59B/U	226213-2	226962-2	226219-1	226208-6
	-	-	-	-	-	-	△ 226208-4	
SUPERSEDED BY 226279-1		A	220094-1	RG-58/U, 58A/U, 58B/U, 58C/U	226304-3	226962-2	226219-1	226208-3
	-	-	-	-	-	-	△ 226208-1	
DETAIL	CRIMP TOOL	CABLE SIZE	③ FERRULE QTY= 1	② COLLAR QTY= 1	① PLUG ASSY QTY= 1	PART NUMBER		

THIS DRAWING IS A CONTROLLED DOCUMENT.

DWN B. MOYER 11/11/91	Tyco Electronics Corporation Harrisburg, PA 17105-3608			
CHK M. SNEED 11-20-91				
APVD -				
NAME PLUG, SERIES UHF				
PRODUCT SPEC 108-12016	SIZE A2	CAGE CODE 00779	DRAWING NO C=226208	RESTRICTED TO -
APPLICATION SPEC -	WEIGHT -	SCALE 4:1	SHEET 1 of 1	REV N
MATERIAL -	FINISH -	CUSTOMER DRAWING		

226208