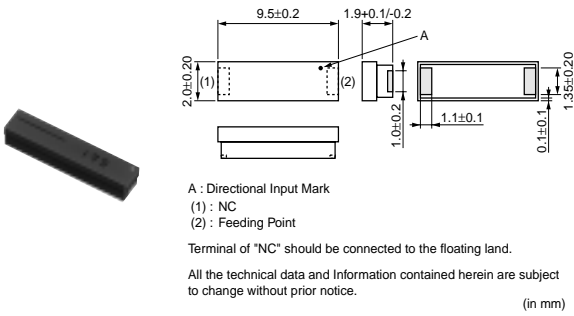


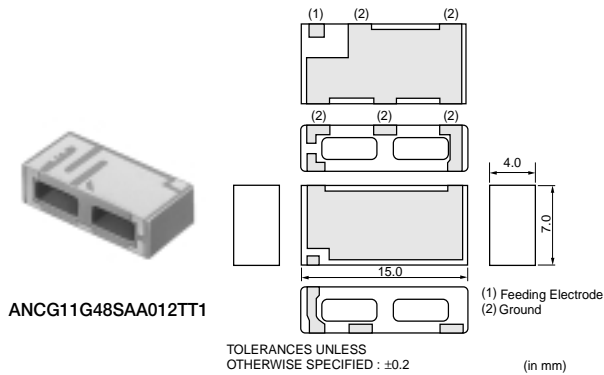
# Chip Multilayer Antennas



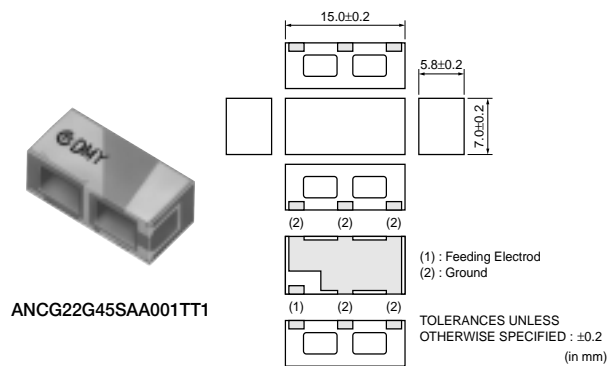
Part Number	Frequency Range
LDA92****20 TYPE	1.0GHz~2.5GHz

Specification : Please contact us for details.

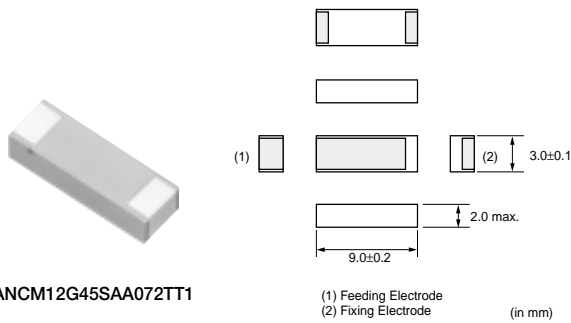
# Chip Dielectric Antennas



ANCG11G48SAA012TT1



ANCG22G45SAA001TT1



ANCM12G45SAA072TT1

Part Number	Fo (MHz)	Bandwidth (MHz)	VSWR	Max. Gain (dBd)
ANCG11G48SAA012TT1	1489.0	24	3.0 max.	-1.3 typ.
ANCG11G90SAA015TT1	1906.5	25	3.0 max.	1.0 typ.
ANCG22G45SAA001TT1	2450.0	100	2.0 max.	-
ANCM12G45SAA072TT1	2450.0	100	2.0 max.	-
ANCM1826MSAA049TT1	847.5	75	3.0 max.	-2.0 typ.