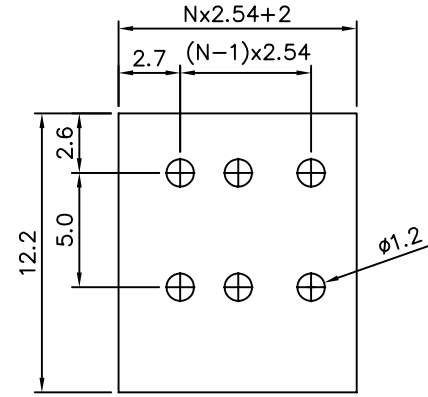
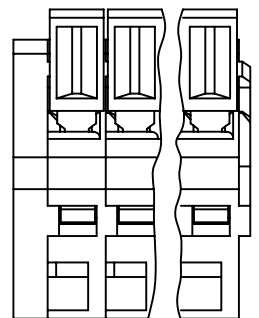
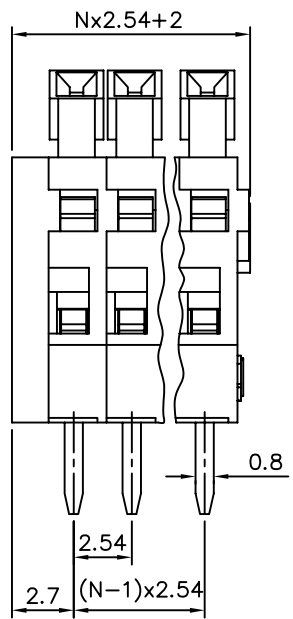


**SPECIFICATIONS**

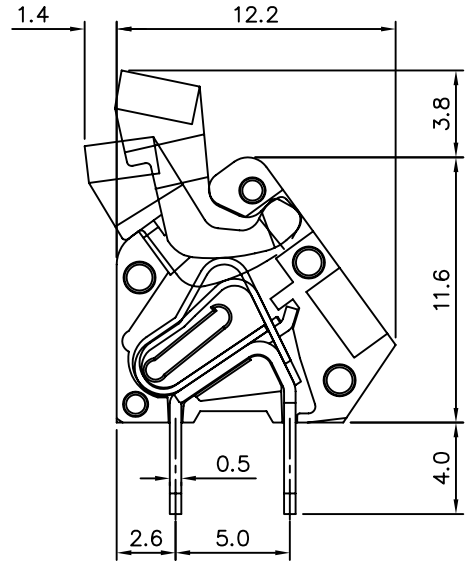
Current Rating: 4 Amp/Way Max.  
 Voltage Rating: 150V AC  
 Contact Resistance: 20 Milliohms Max.  
 Insulation Resistance: 1000 Megohms Min.  
 Wire Range: 20~28AWG  
 Operating Temperature: -55°C To +105°C  
 Test Temperature: 250°C, 5 Second Max.  
 Contact: Brass  
 Wire Guard: Stainless Steel  
 Surface Of Solder Tail: Tin Plated  
 Insulator Body(Housing): Polyamide(Glass Filled)  
 (UL 94V-0)



P.C.B Layout



N=Number Of Contacts



**AUK** A MEMBER OF AUK GROUP  
**太聯事業股份有限公司**  
**AUK CONTRACTORS CO., LTD.**

CATEGORY		APPROVED BY		UNLESS OTHERWISE SPECIFIED TOLERANCES ARE X. ±0.50 .X ±0.30 .XX ±0.10				
PART No. TBX25XXC		MEI						
DRAWING No. TBX25XXC		CHECKED BY BECKY						
SCALE NONE		DRAWING BY TCF						
REV.	A0	UNIT mm	NO. REV.	△ A0	NEW RELEASE	BECKY	07/20/2005	
					REVISIONS	CHK	DATE	